

4

3

2

1

THIS DRAWING IS UNPUBLISHED. RELEASED FOR PUBLICATION 20  
 © COPYRIGHT 20 BY - ALL RIGHTS RESERVED.

REVISIONS				
P	LTR	DESCRIPTION	DATE	APVD
A4		REVISED PER ECR-09-013820	17JUL2009	HMR DD
A5		REVISED PER ECR-16-015337	03NOV2016	RK ASM

NOTES:

- MATERIAL:  
 HOUSING - PBT, UL94-V0, COLOR BLACK(2008552-2 & -3) OR  
 PBT, UL94-V0, COLOR GRAY(1-2008552-2)  
 CONTACTS - PHOSPHOR BRONZE  
 0.35 MM STOCK THICKNESS
- PLATING:  
 CONTACTS - PRE PLATED TIN OVER NICKEL
- WIRE SIZE: 18 AWG SOLID  
 2.2 MM MAX INSULATION DIAMETER  
 9.5±1.0 MM INSULATION STRIP LENGTH

△ SUPERSEDED BY P/N 1-2008552-2.

PCB LAYOUT  
 VIEWED FROM CONNECTOR SIDE  
 SCALE 4:1

WIDTH OF SOLDER TAIL

BOARDLOCK REMOVED  
FROM VIEW FOR CLARITY

BOARDLOCK

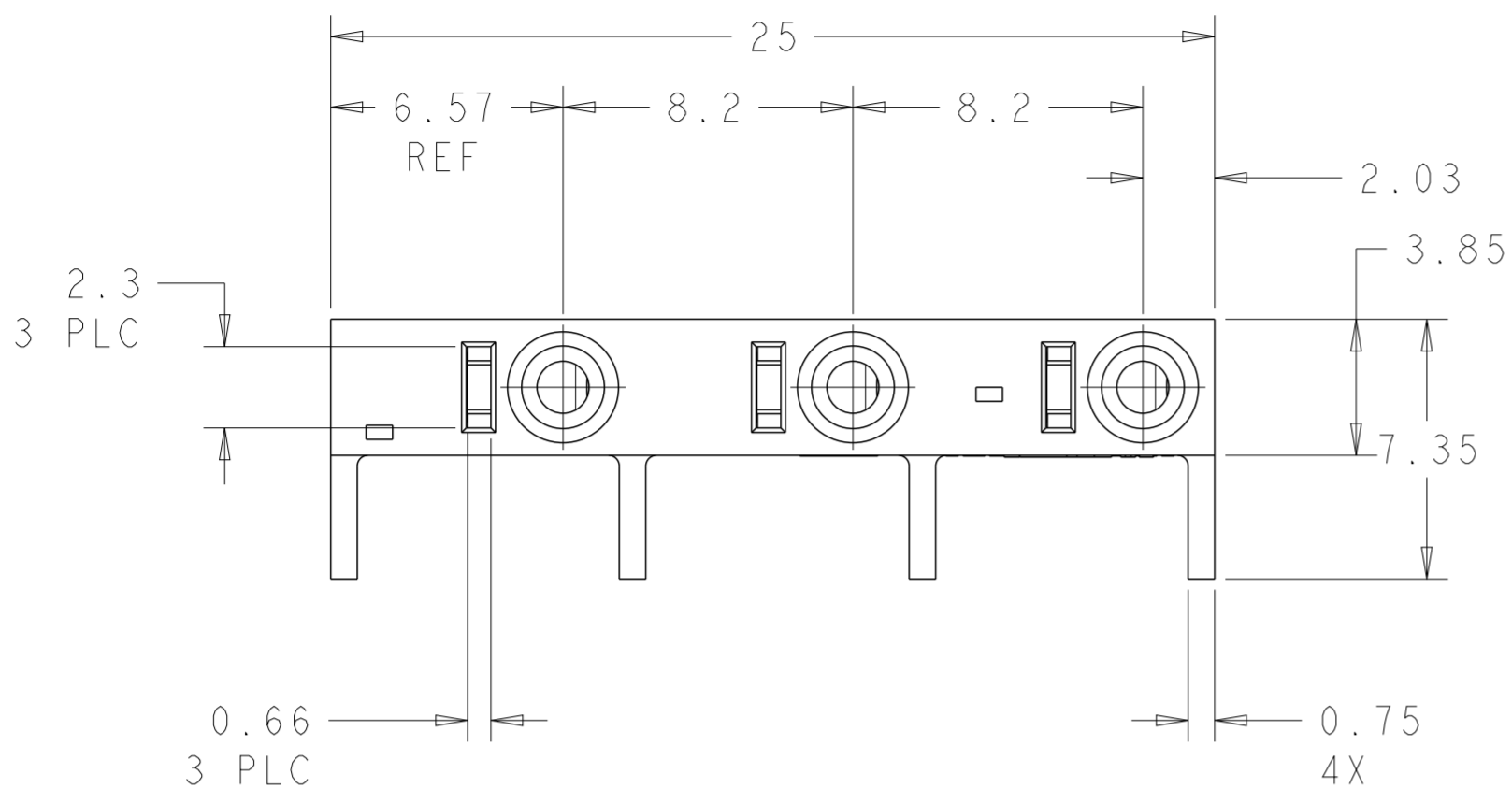
△ OBSOLETE	GRAY	2 POSITION CONNECTOR	1-2008552-2
	BLACK	2 POSITION CONNECTOR	2008552-2
	HOUSING COLOR	DESCRIPTION	PART NO

THIS DRAWING IS A CONTROLLED DOCUMENT.		DWN S FISHER 12OCT2007	TE Connectivity		
DIMENSIONS: mm		CHK S HORST 12OCT2007			
TOLERANCES UNLESS OTHERWISE SPECIFIED:		APVD - 12OCT2007			
0 PLC ± 1 PLC ±0.5 2 PLC ±0.13 3 PLC ±0.013 4 PLC ±0.0001 ANGLES ± FINISH -		PRODUCT SPEC 108-2059-1	NAME ASSEMBLY, WIRE CONNECTOR IN-LINE VERTICAL SCREWLESS		
MATERIAL -		APPLICATION SPEC 114-13223	SIZE A2	CAGE CODE 00779	DRAWING NO C-2008552
		WEIGHT -	RESTRICTED TO -		
		CUSTOMER DRAWING	SCALE 3:1	SHEET 1 OF 2	REV A5

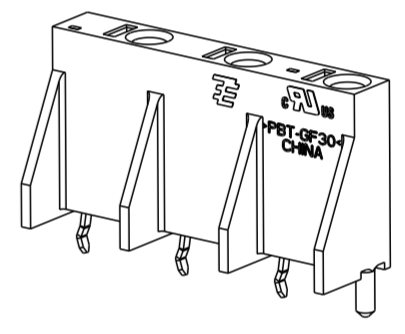
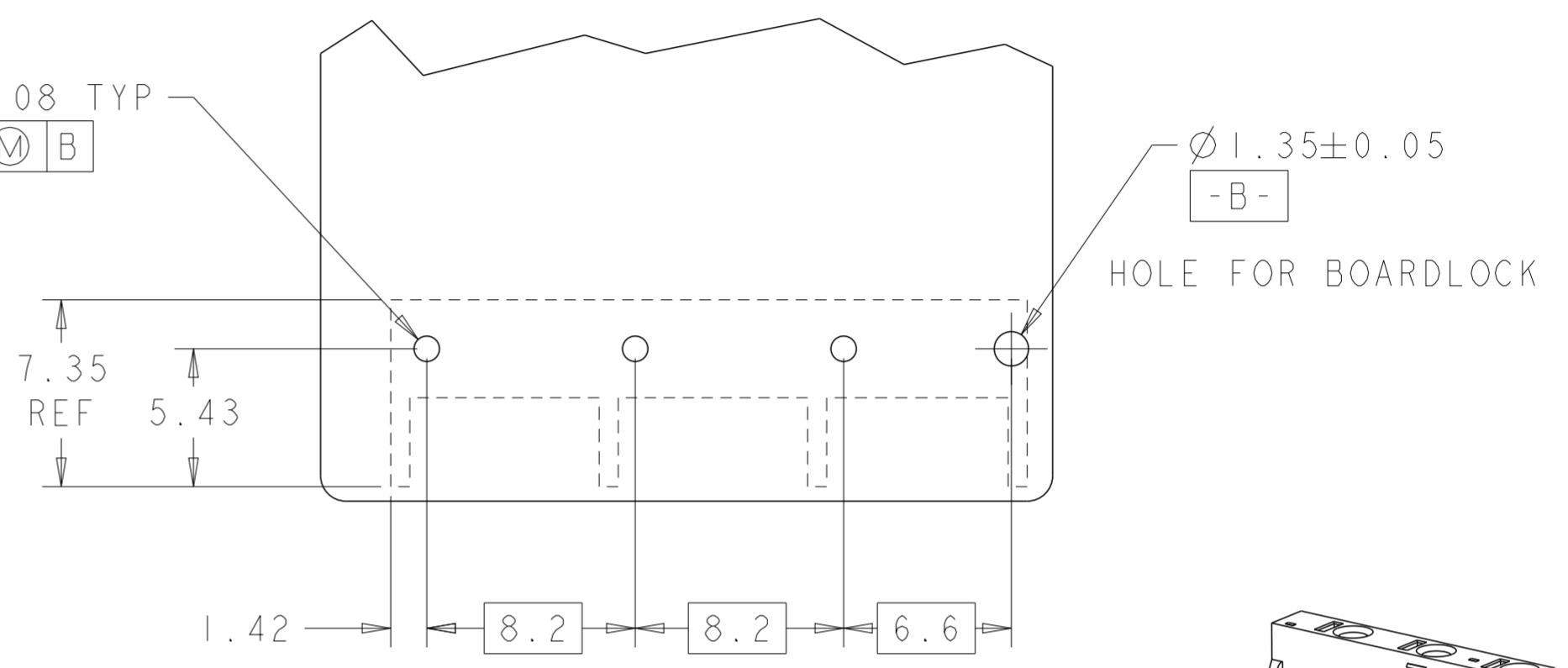
1471-9 (3/13)

THIS DRAWING IS UNPUBLISHED. RELEASED FOR PUBLICATION 20  
 © COPYRIGHT 20 BY - ALL RIGHTS RESERVED.

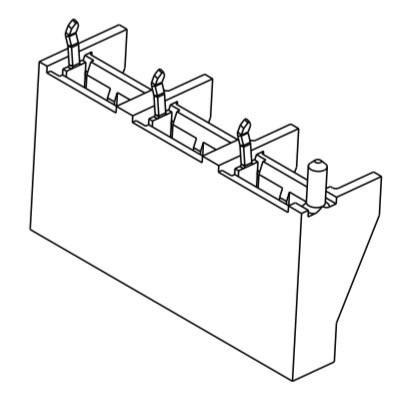
REVISIONS				
P	LTR	DESCRIPTION	DATE	APVD
-	-	SEE SHEET 1	-	-



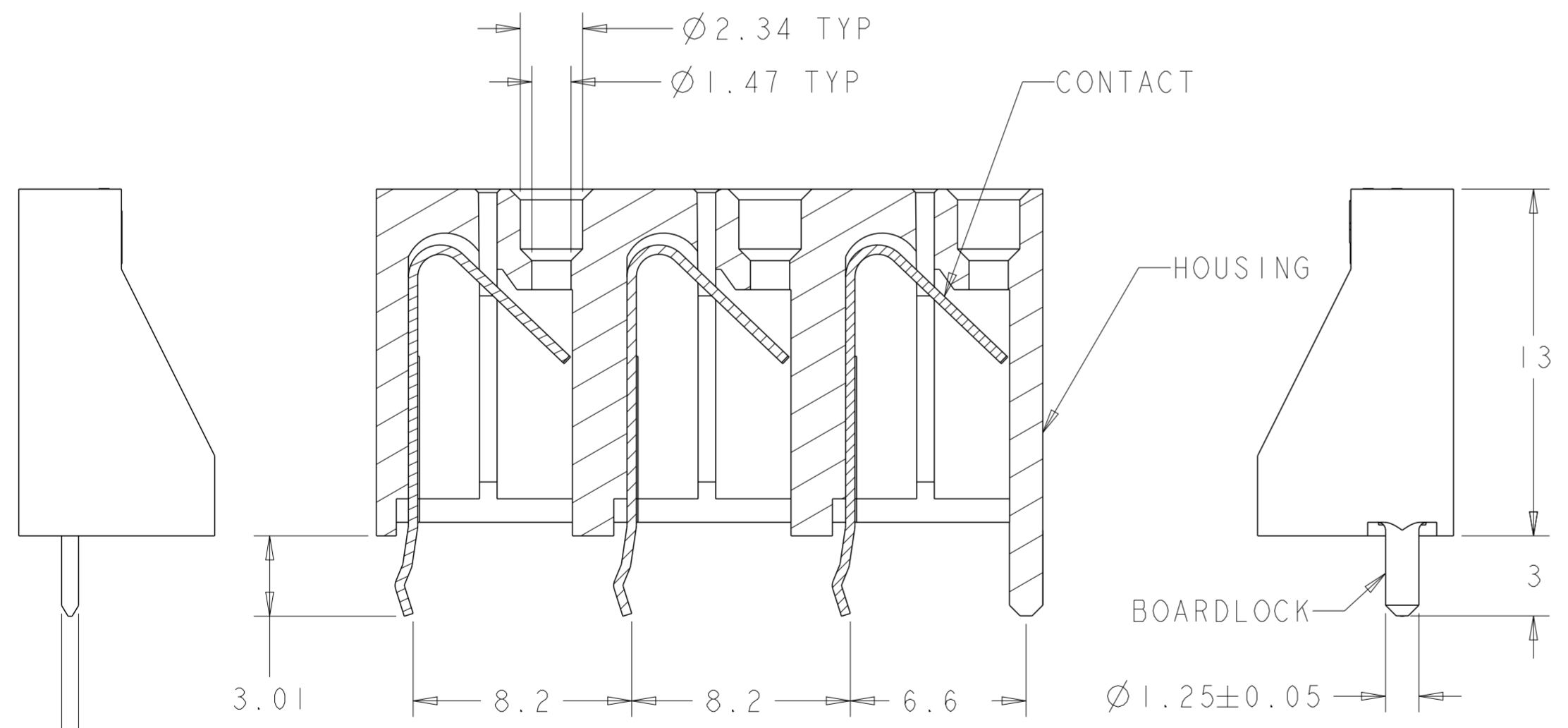
$\varnothing 1 \pm 0.08$  TYP  
 $\varnothing 0.1 \text{ M B}$



SCALE 4:1



SCALE 2:1



WIDTH OF SOLDER TAIL  
 BOARDLOCK REMOVED  
 FROM VIEW FOR CLARITY

SECTION Z-Z

THIS DRAWING IS A CONTROLLED DOCUMENT.	
DIMENSIONS:	TOLERANCES UNLESS OTHERWISE SPECIFIED:
mm	0 PLC ±
	1 PLC ±0.5
	2 PLC ±0.13
	3 PLC ±0.013
	4 PLC ±0.0001
	ANGLES ±
MATERIAL	FINISH
-	-
-	-

3 POSITION CONNECTOR		2008552-3	
DESCRIPTION		PART NO	
DWN S FISHER 12OCT2007 CHK S HORST 12OCT2007 APVD - 12OCT2007		<b>STE</b> TE Connectivity	
PRODUCT SPEC 108-2059-1 APPLICATION SPEC 114-13223		NAME ASSEMBLY, WIRE CONNECTOR IN-LINE VERTICAL SCREWLESS	
SIZE	CAGE CODE	DRAWING NO	RESTRICTED TO
A2	00779	C-2008552	-
CUSTOMER DRAWING		SCALE 3:1	SHEET 2 OF 2 REV A5