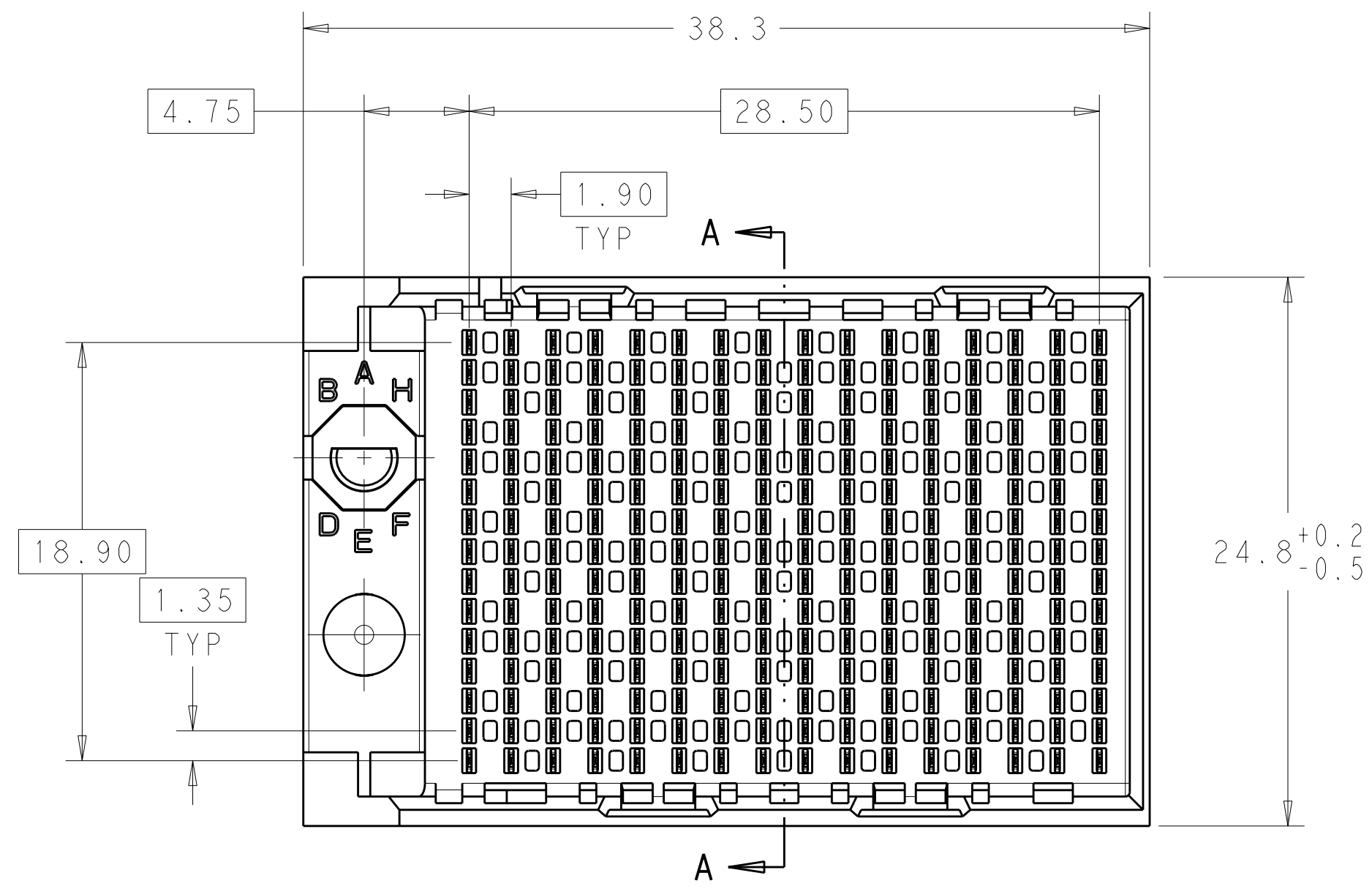
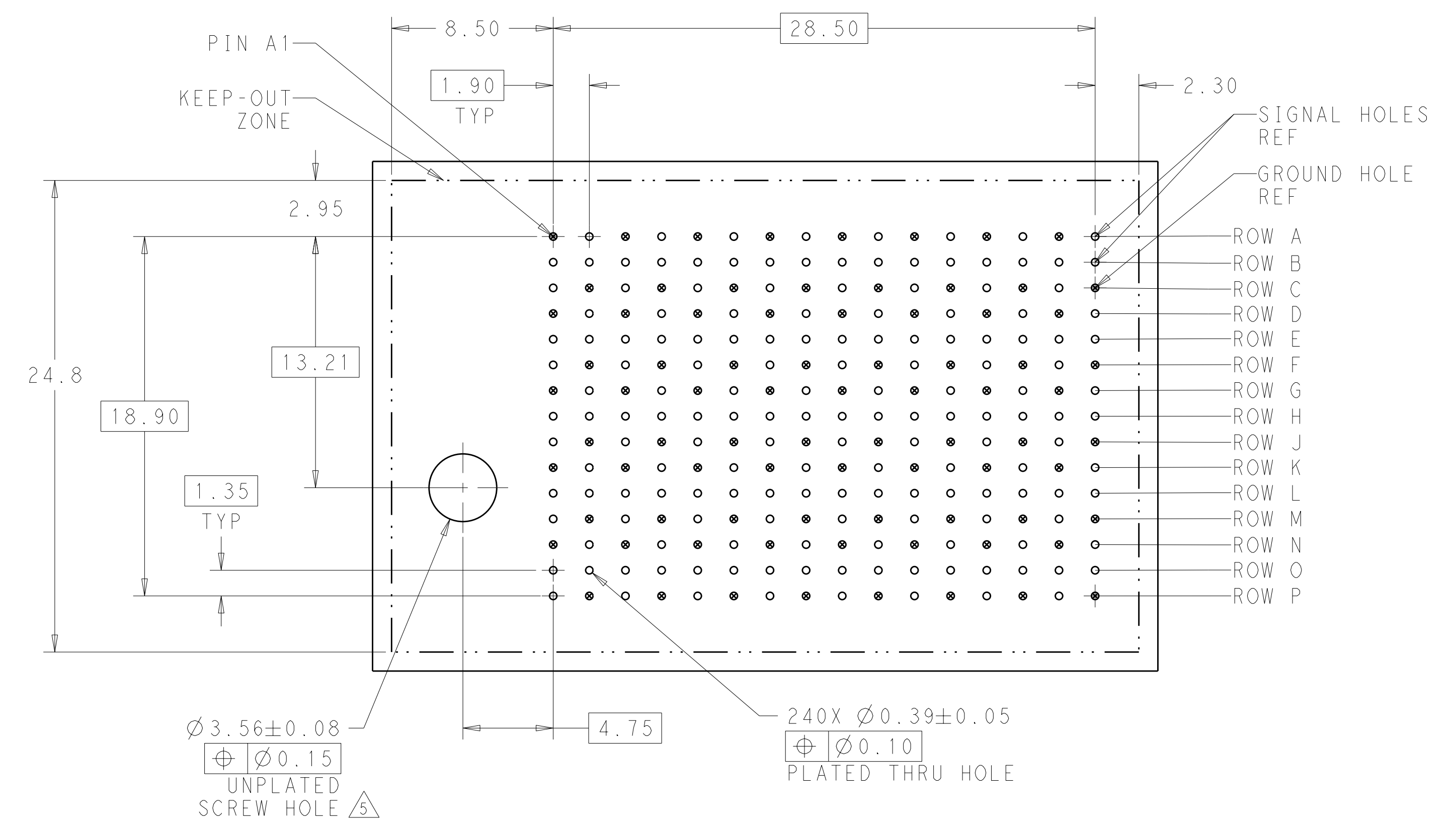
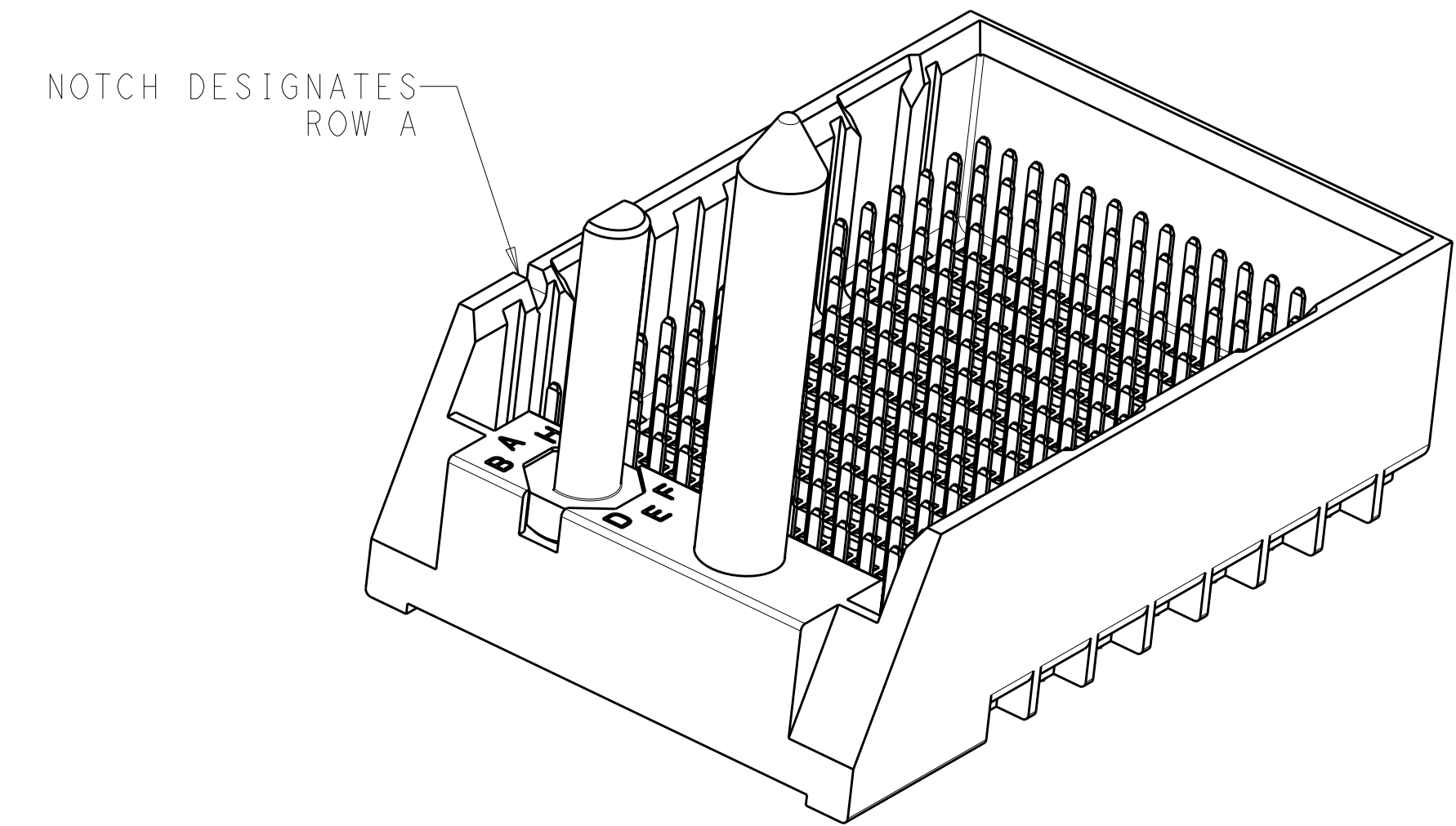


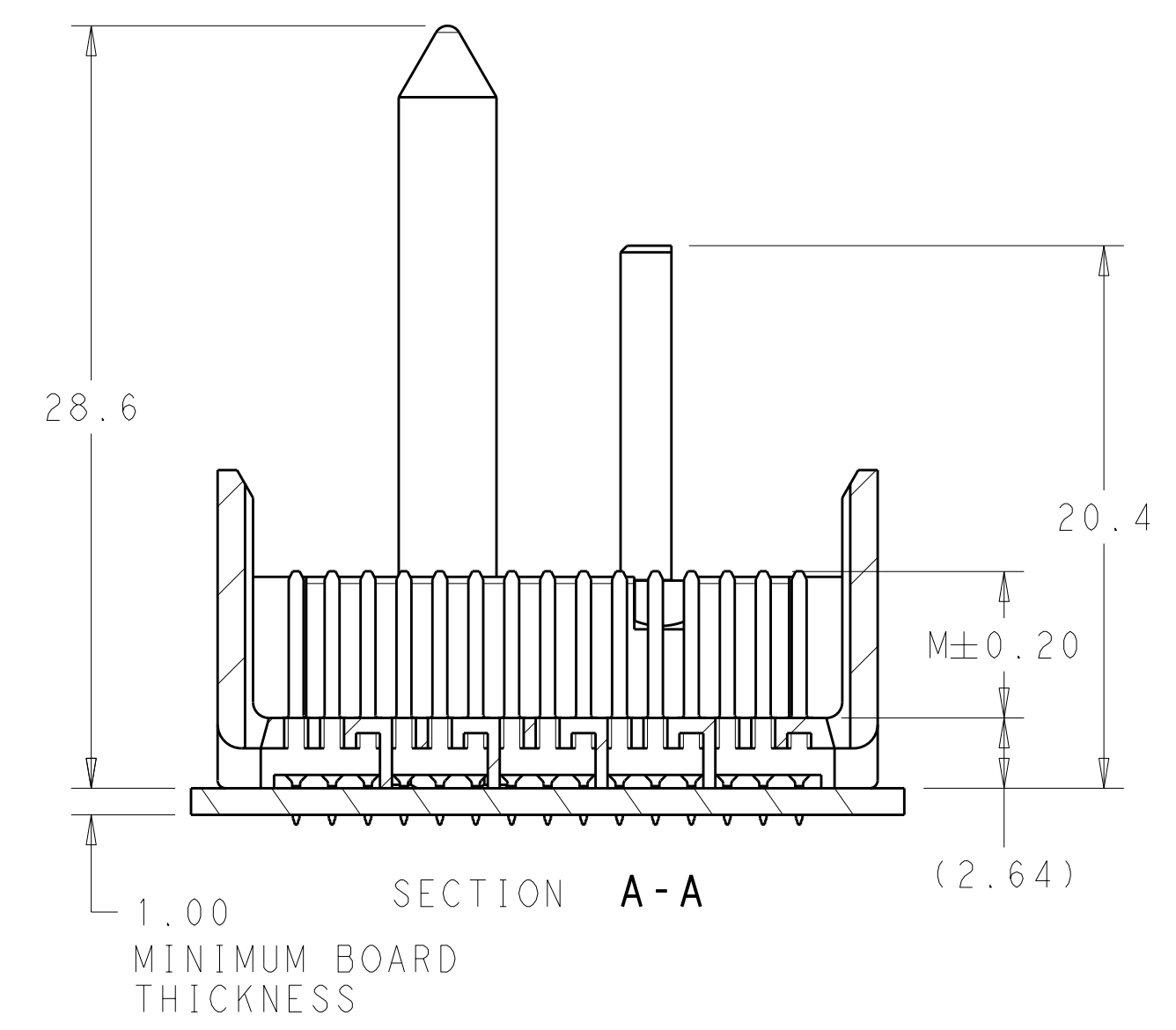
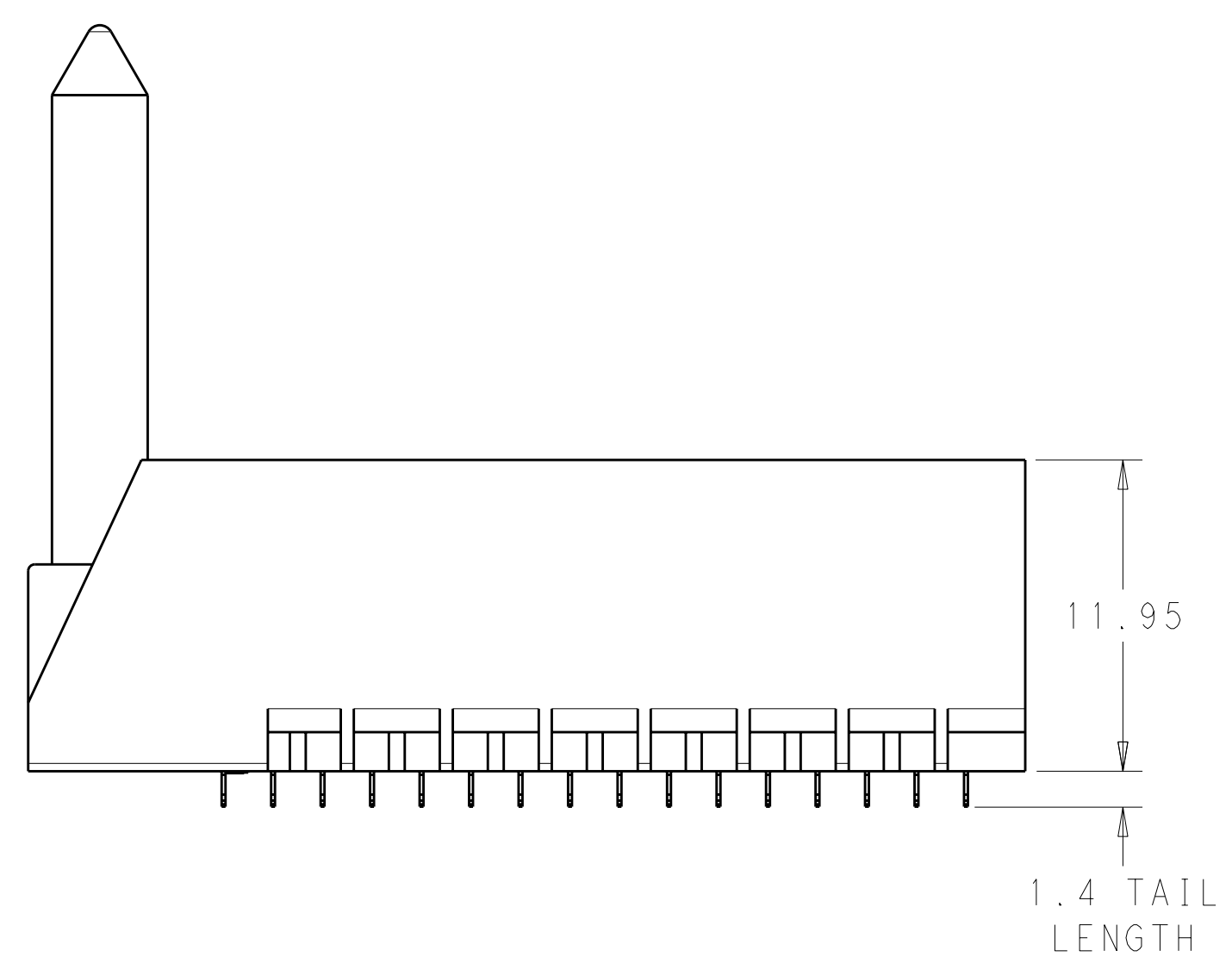
LOC	DIST	REVISIONS			
AD	00	REV	DATE	BY	APPD
		B	03JAN2012	KH	DY



- 1 MATERIAL:
HOUSING: LCP, GLASS FILLED, UL94V-0.
TERMINALS: HIGH PERFORMANCE COPPER ALLOY.
- 2 FINISH:
30µ" MIN GOLD IN CONTACT AREA. SELECTIVE TIN ON PCB TAILS, NICKEL OVERALL.
- 3 FINISH:
30µ" MIN GOLD IN CONTACT AREA. SELECTIVE TIN-LEAD ON PCB TAILS, NICKEL OVERALL.
- 4. SCREWS PACKAGED IN END OF PACKAGING TUBE.
- 5 FOR GROUNDED GUIDE PIN USE $\varnothing 3.56 \pm 0.08$ PTH, $\varnothing 3.66$ DRILL, AND $\varnothing 6.5$ PAD.
- 6. KEYING PIN SHOWN IN POSITION A. SEE KEYING CHART ON SHEET 2 FOR OTHER POSITIONS.



LEFT GUIDED BACKPLANE HOLE PATTERN (CONNECTOR SIDE)

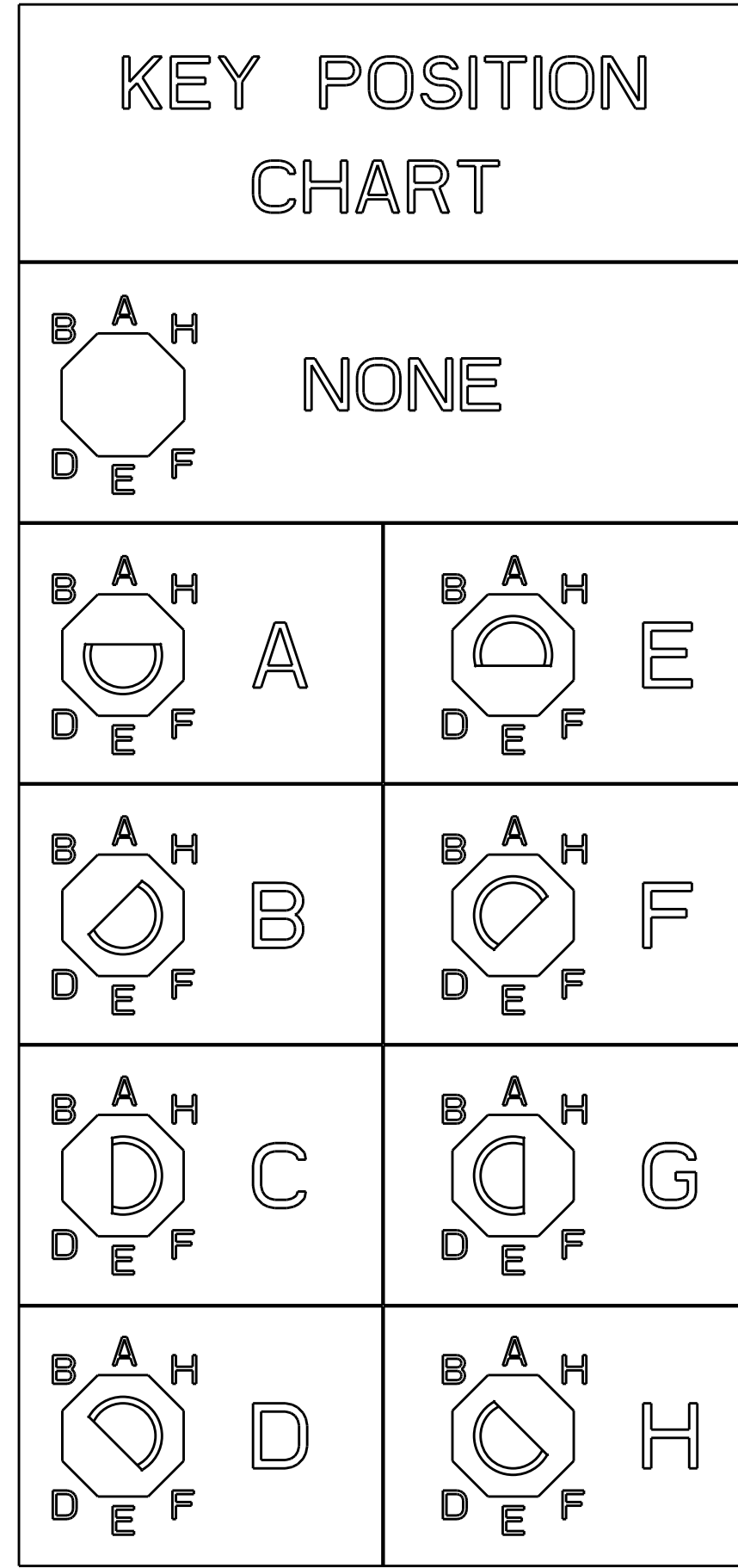


THIS DRAWING IS A CONTROLLED DOCUMENT.		DWN J. K. SHOBER 03JAN2012		TE Connectivity	
DIMENSIONS: mm		CHK J. EARY 03JAN2012			
TOLERANCES UNLESS OTHERWISE SPECIFIED:		APVD J. EARY 03JAN2012		NAME: IMPACT, 5 PAIR, 16 COLUMN, HEADER LEFT GUIDED, RIGHT END WALL SIGNAL MODULE, 0.39 PTH	
9 PLC ± 1 PLC ±0.25 2 PLC ±0.13 3 PLC ± 4 PLC ± ANGLES ±		PRODUCT SPEC		SIZE CAGE CODE DRAWING NO RESTRICTED TO	
MATERIAL		FINISH SEE TABLE		WEIGHT	
		CUSTOMER DRAWING		A100779C=2007859	
		SCALE 4:1		SHEET 1 OF 2 REV B	

LOC		DIST		REVISIONS			
AD	00	P	LTB	DESCRIPTION	DATE	DWN	APVD
		-	-	SEE SHEET 1	-	-	-

3	H	5.5	8-2007859-6
3	H	4.9	8-2007859-5
3	H	4.5	8-2007859-4
2	H	5.5	8-2007859-3
2	H	4.9	8-2007859-2
2	H	4.5	8-2007859-1
3	G	5.5	7-2007859-6
3	G	4.9	7-2007859-5
3	G	4.5	7-2007859-4
2	G	5.5	7-2007859-3
2	G	4.9	7-2007859-2
2	G	4.5	7-2007859-1
3	F	5.5	6-2007859-6
3	F	4.9	6-2007859-5
3	F	4.5	6-2007859-4
2	F	5.5	6-2007859-3
2	F	4.9	6-2007859-2
2	F	4.5	6-2007859-1
3	E	5.5	5-2007859-6
3	E	4.9	5-2007859-5
3	E	4.5	5-2007859-4
2	E	5.5	5-2007859-3
2	E	4.9	5-2007859-2
2	E	4.5	5-2007859-1
3	D	5.5	4-2007859-6
3	D	4.9	4-2007859-5
3	D	4.5	4-2007859-4
2	D	5.5	4-2007859-3
2	D	4.9	4-2007859-2
2	D	4.5	4-2007859-1
3	C	5.5	3-2007859-6
3	C	4.9	3-2007859-5
3	C	4.5	3-2007859-4
2	C	5.5	3-2007859-3
2	C	4.9	3-2007859-2
2	C	4.5	3-2007859-1
3	B	5.5	2-2007859-6
3	B	4.9	2-2007859-5
3	B	4.5	2-2007859-4
2	B	5.5	2-2007859-3
2	B	4.9	2-2007859-2
2	B	4.5	2-2007859-1
3	A	5.5	1-2007859-6
3	A	4.9	1-2007859-5
3	A	4.5	1-2007859-4
2	A	5.5	1-2007859-3
2	A	4.9	1-2007859-2
2	A	4.5	1-2007859-1
3	-	5.5	2007859-6
3	-	4.9	2007859-5
3	-	4.5	2007859-4
2	-	5.5	2007859-3
2	-	4.9	2007859-2
2	-	4.5	2007859-1
FINISH	KEY POSITION	DIM M	PART NUMBER

REFER TO WWW.TE.COM
FOR PRODUCT AVAILABILITY



THIS DRAWING IS A CONTROLLED DOCUMENT.		DWN J. K. SHOBER 03JAN2012	TE TE Connectivity	
DIMENSIONS: mm		CHK J. EARY 03JAN2012		
TOLERANCES UNLESS OTHERWISE SPECIFIED: 9 PLC ± 7 PLC ±0.25 5 PLC ±0.13 4 PLC ± ANGLES ±		APVD J. EARY 03JAN2012	NAME IMPACT, 5 PAIR, 16 COLUMN, HEADER LEFT GUIDED, RIGHT END WALL SIGNAL MODULE, 0.39 PTH	
MATERIAL SEE TABLE		FINISH SEE TABLE	PRODUCT SPEC APPLICATION SPEC	RESTRICTED TO
WEIGHT CUSTOMER DRAWING		SCALE 5:1	DRAWING NO. A100779C=2007859	SHEET 2 OF 2
				REV B