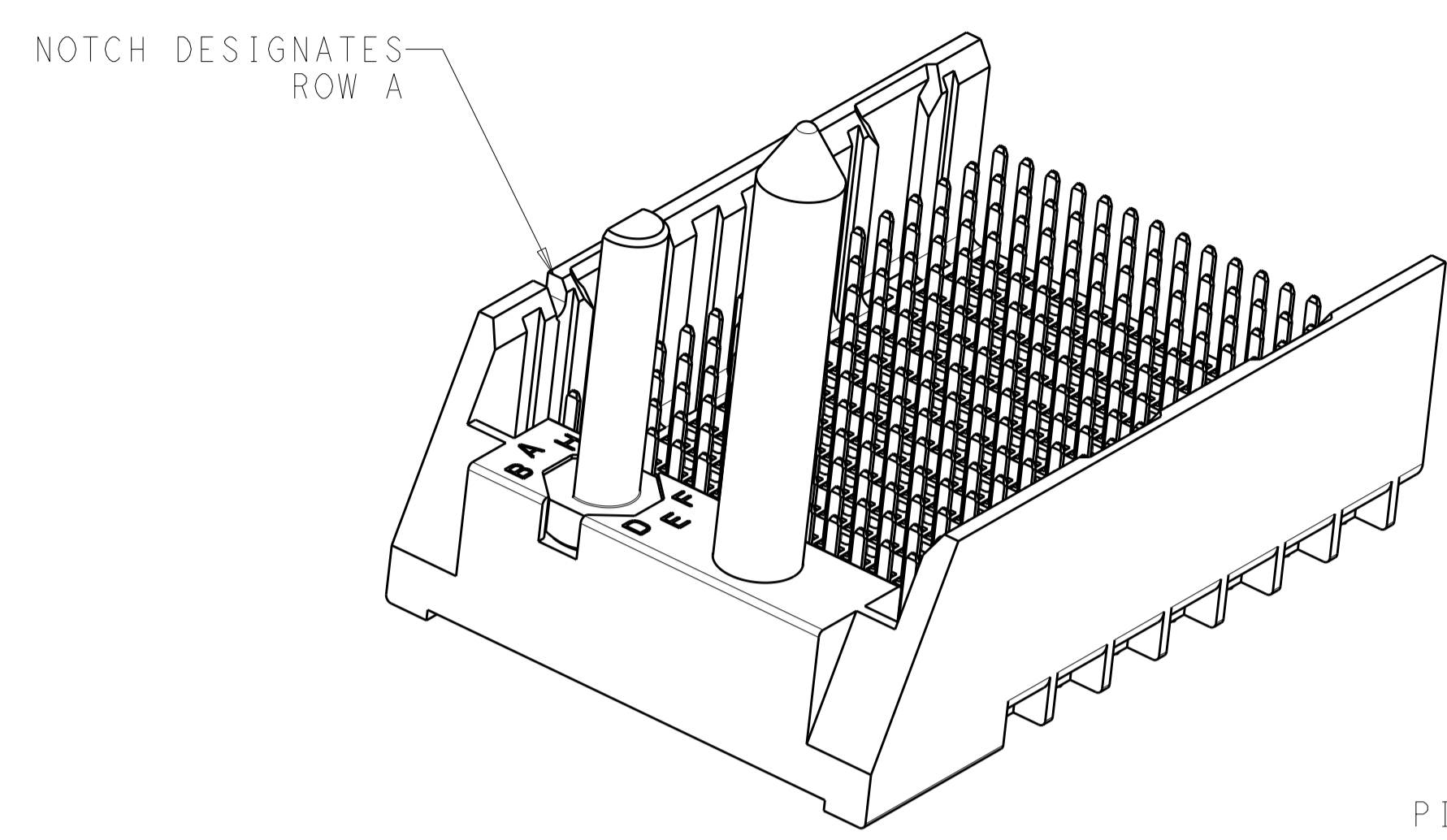
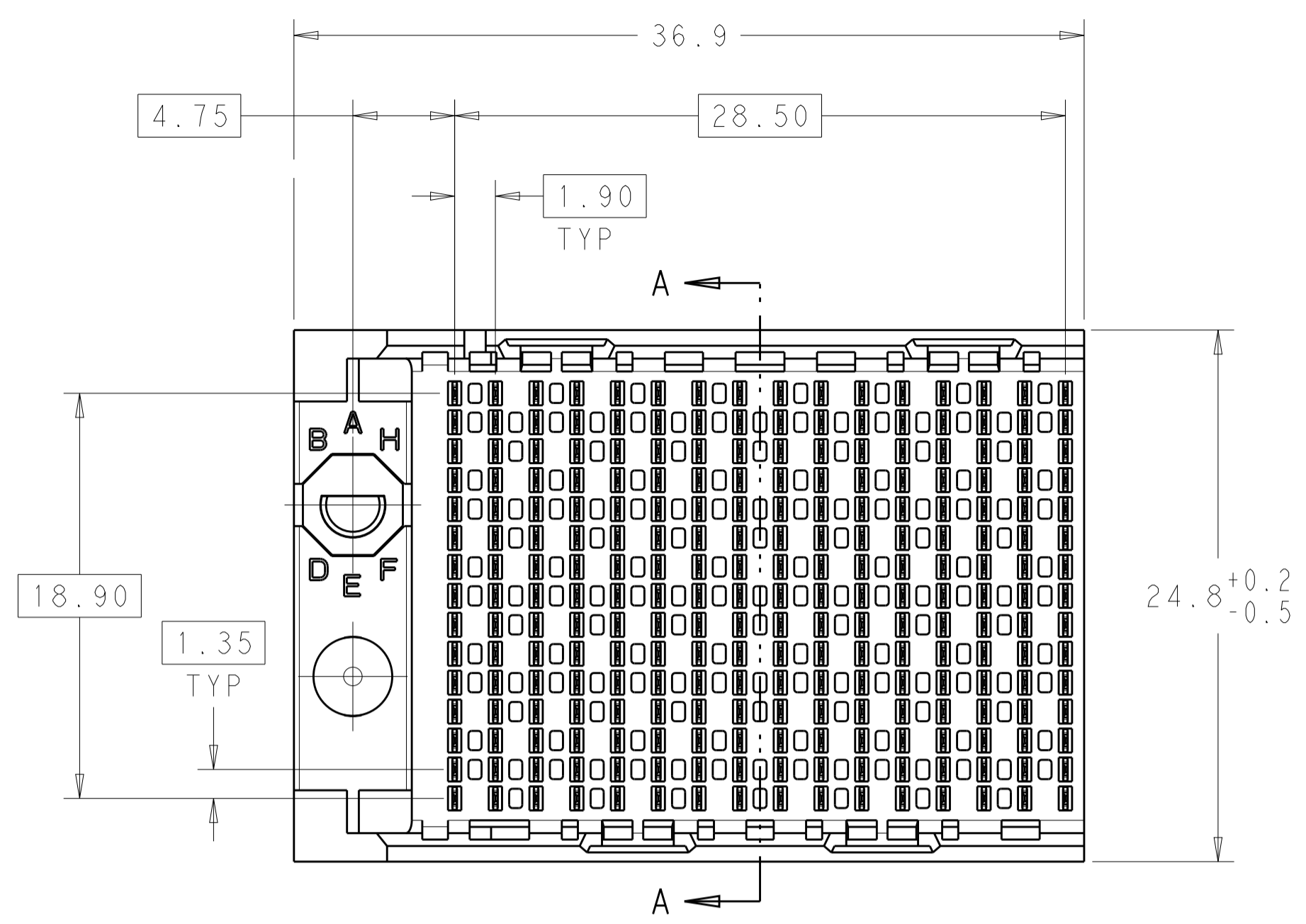
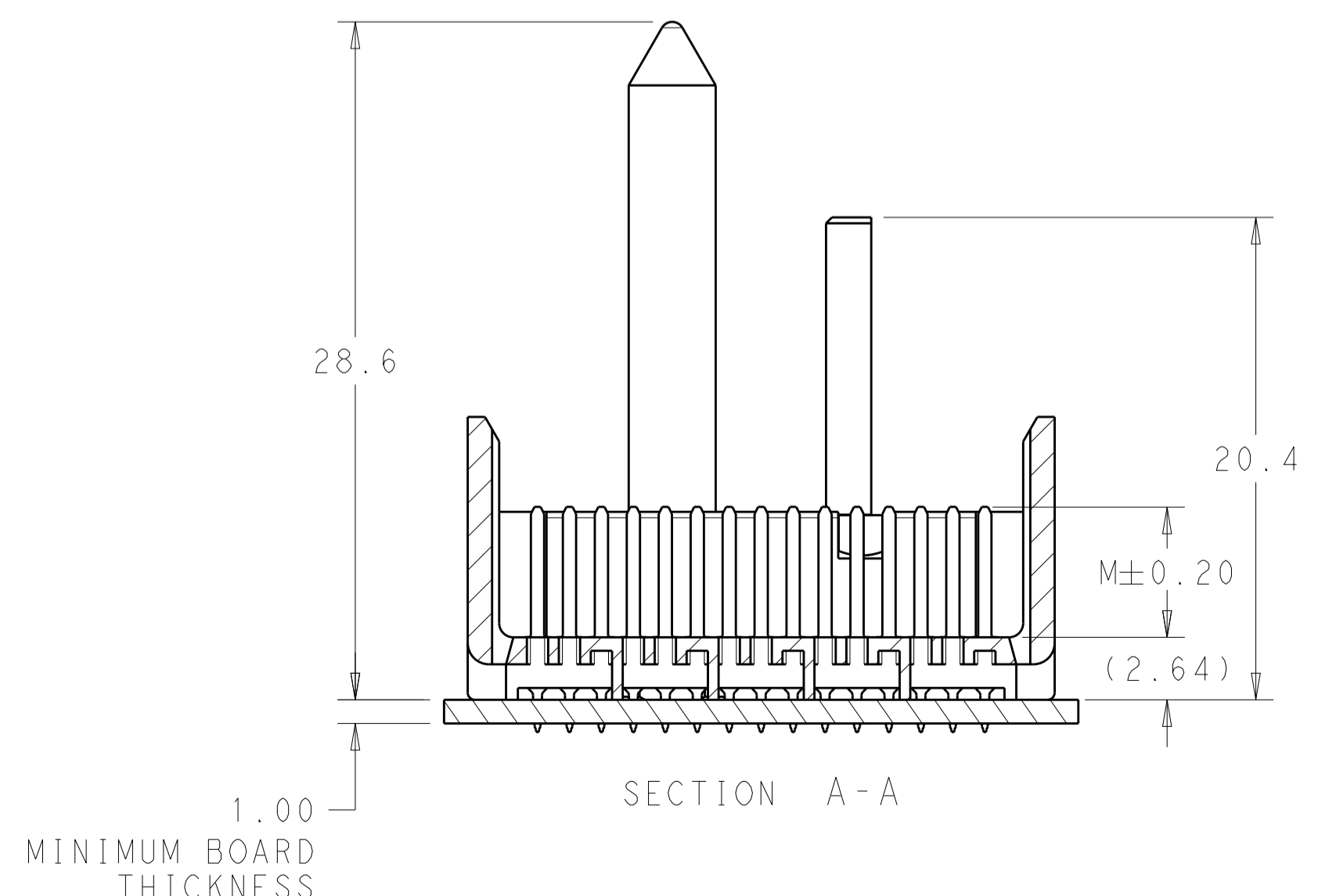
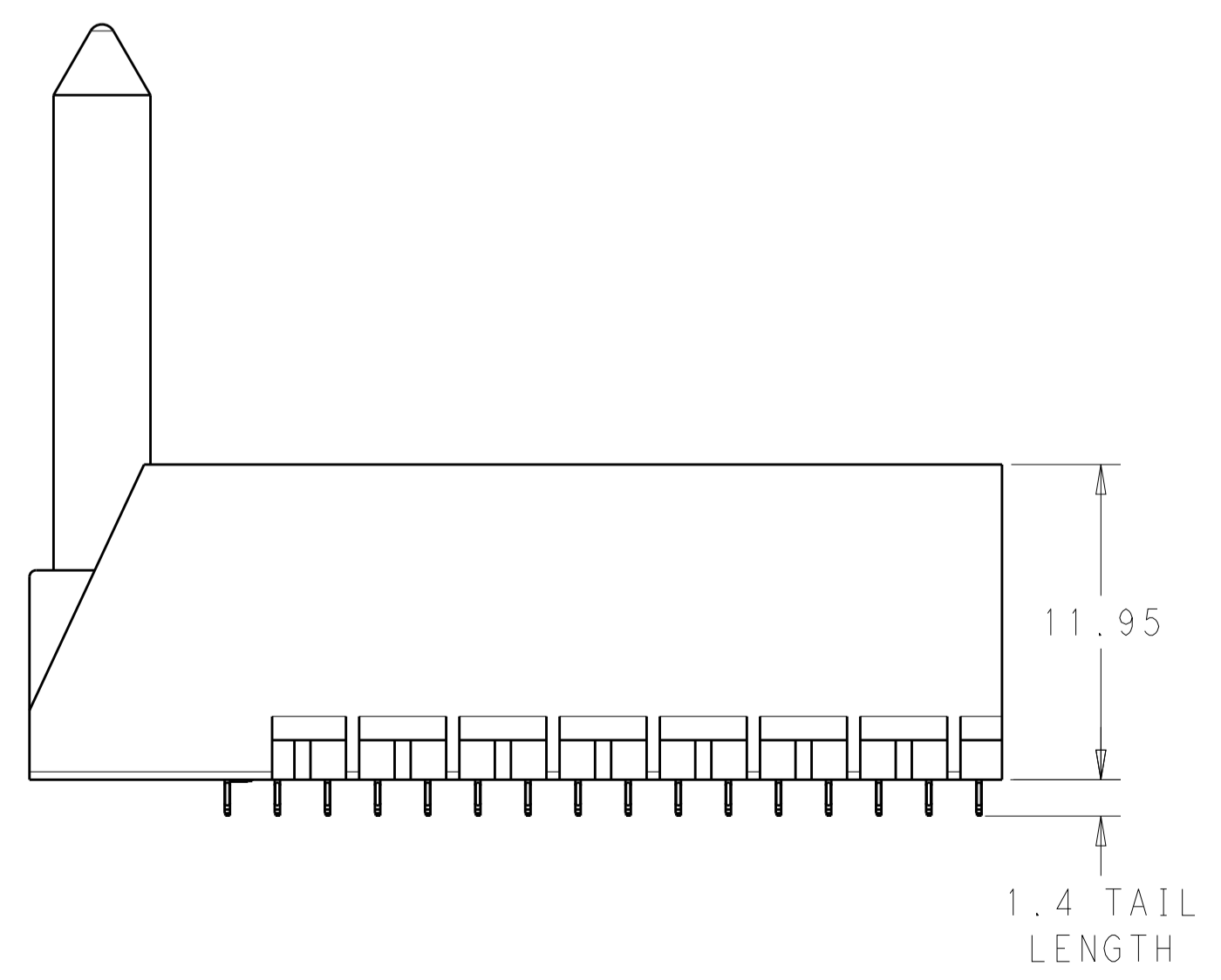
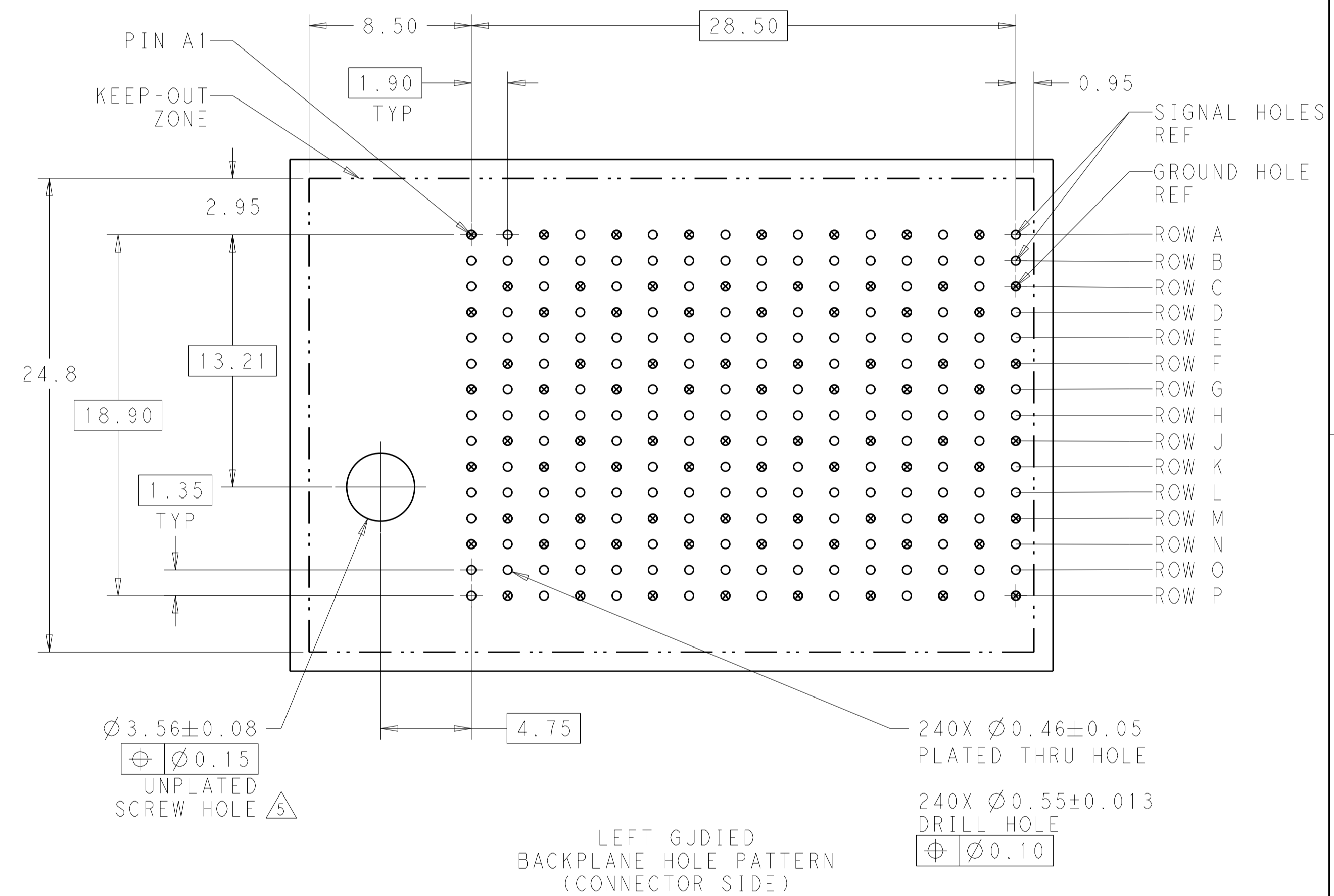


| LOC | DIST | REVISIONS | | | |
|-----|------|-------------------------------|-----------|-----|------|
| P | LTN | DESCRIPTION | DATE | DWN | APVD |
| A | | CREATED BY AUTOMATION PROGRAM | 10MAY2011 | RKC | JE |



- 1. MATERIAL:
HOUSING: LCP, GLASS FILLED, UL94V-0.
TERMINALS: HIGH PERFORMANCE COPPER ALLOY.
- 2. FINISH:
30µ" MIN GOLD IN CONTACT AREA. SELECTIVE TIN ON PCB TAILS, NICKEL OVERALL.
- 3. FINISH:
30µ" MIN GOLD IN CONTACT AREA. SELECTIVE TIN-LEAD ON PCB TAILS, NICKEL OVERALL.
- 4. SCREWS PACKAGED IN END OF PACKAGING TUBE.
- 5. FOR GROUNDED GUIDE PIN USE $\varnothing 3.56 \pm 0.08$ PTH, $\varnothing 3.66$ DRILL, AND $\varnothing 6.5$ PAD.
- 6. KEYING PIN SHOWN IN POSITION A, SEE KEYING CHART ON SHEET 2 FOR OTHER POSITIONS.

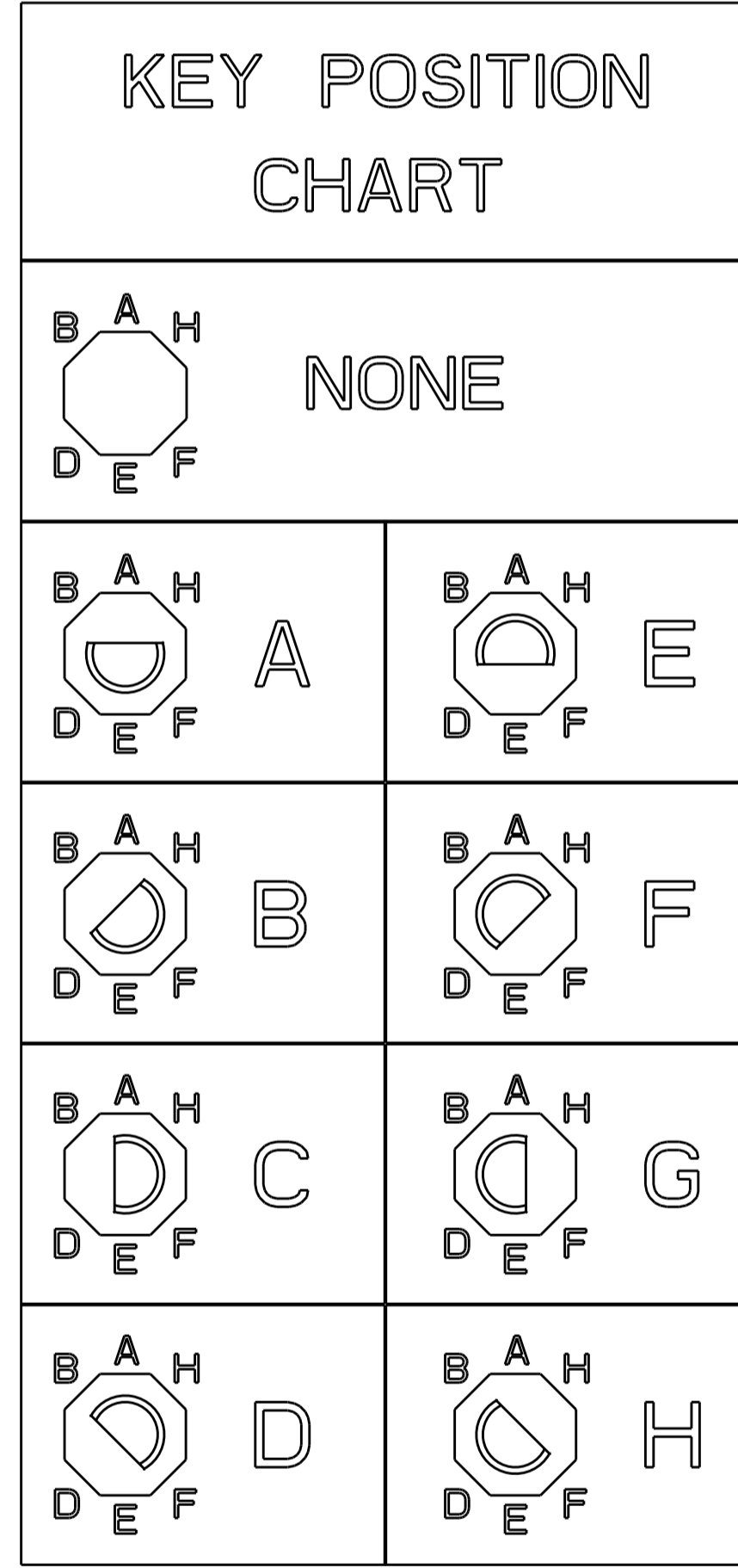


| | | | |
|---|--|--------------------------|--|
| THIS DRAWING IS A CONTROLLED DOCUMENT. | | DWN: R. COELLO 09MAY2011 | TE Connectivity |
| DIMENSIONS: mm | | CHK: J. EARY 09MAY2011 | |
| TOLERANCES UNLESS OTHERWISE SPECIFIED: | | APVD: J. EARY 09MAY2011 | NAME: IMPACT, 5 PAIR, 16 COLUMN, HEADER LEFT GUIDED, OPEN END WALL SIGNAL MODULE, 0.46 PTH |
| 0 PLC ± 1 PLC ±0.25 2 PLC ±0.13 3 PLC ± 4 PLC ± ANGLES ± | | PRODUCT SPEC | |
| MATERIAL: SEE TABLE | | APPLICATION SPEC | SIZE: A1100779C=2007856 |
| FINISH: SEE TABLE | | WEIGHT | RESTRICTED TO |
| CUSTOMER DRAWING | | SCALE: 4:1 | SHEET 1 OF 2 REV A |

| LOC | DIST | REVISIONS | | | |
|-----|------|-----------|-------------|----|------|
| | | REV | DATE | BY | APPV |
| AD | 00 | - | SEE SHEET 1 | - | - |
| | | | | | |
| | | | | | |

| | | | |
|--------|--------------|-------|-------------|
| 3 | H | 5.5 | 8-2007856-6 |
| 3 | H | 4.9 | 8-2007856-5 |
| 3 | H | 4.5 | 8-2007856-4 |
| 2 | H | 5.5 | 8-2007856-3 |
| 2 | H | 4.9 | 8-2007856-2 |
| 2 | H | 4.5 | 8-2007856-1 |
| 3 | G | 5.5 | 7-2007856-6 |
| 3 | G | 4.9 | 7-2007856-5 |
| 3 | G | 4.5 | 7-2007856-4 |
| 2 | G | 5.5 | 7-2007856-3 |
| 2 | G | 4.9 | 7-2007856-2 |
| 2 | G | 4.5 | 7-2007856-1 |
| 3 | F | 5.5 | 6-2007856-6 |
| 3 | F | 4.9 | 6-2007856-5 |
| 3 | F | 4.5 | 6-2007856-4 |
| 2 | F | 5.5 | 6-2007856-3 |
| 2 | F | 4.9 | 6-2007856-2 |
| 2 | F | 4.5 | 6-2007856-1 |
| 3 | E | 5.5 | 5-2007856-6 |
| 3 | E | 4.9 | 5-2007856-5 |
| 3 | E | 4.5 | 5-2007856-4 |
| 2 | E | 5.5 | 5-2007856-3 |
| 2 | E | 4.9 | 5-2007856-2 |
| 2 | E | 4.5 | 5-2007856-1 |
| 3 | D | 5.5 | 4-2007856-6 |
| 3 | D | 4.9 | 4-2007856-5 |
| 3 | D | 4.5 | 4-2007856-4 |
| 2 | D | 5.5 | 4-2007856-3 |
| 2 | D | 4.9 | 4-2007856-2 |
| 2 | D | 4.5 | 4-2007856-1 |
| 3 | C | 5.5 | 3-2007856-6 |
| 3 | C | 4.9 | 3-2007856-5 |
| 3 | C | 4.5 | 3-2007856-4 |
| 2 | C | 5.5 | 3-2007856-3 |
| 2 | C | 4.9 | 3-2007856-2 |
| 2 | C | 4.5 | 3-2007856-1 |
| 3 | B | 5.5 | 2-2007856-6 |
| 3 | B | 4.9 | 2-2007856-5 |
| 3 | B | 4.5 | 2-2007856-4 |
| 2 | B | 5.5 | 2-2007856-3 |
| 2 | B | 4.9 | 2-2007856-2 |
| 2 | B | 4.5 | 2-2007856-1 |
| 3 | A | 5.5 | 1-2007856-6 |
| 3 | A | 4.9 | 1-2007856-5 |
| 3 | A | 4.5 | 1-2007856-4 |
| 2 | A | 5.5 | 1-2007856-3 |
| 2 | A | 4.9 | 1-2007856-2 |
| 2 | A | 4.5 | 1-2007856-1 |
| 3 | - | 5.5 | 2007856-6 |
| 3 | - | 4.9 | 2007856-5 |
| 3 | - | 4.5 | 2007856-4 |
| 2 | - | 5.5 | 2007856-3 |
| 2 | - | 4.9 | 2007856-2 |
| 2 | - | 4.5 | 2007856-1 |
| FINISH | KEY POSITION | DIM M | PART NUMBER |

REFER TO WWW.TE.COM
FOR PRODUCT AVAILABILITY



| | | | |
|--|------------------|-------------------------|---|
| THIS DRAWING IS A CONTROLLED DOCUMENT. | | OWN R. COELLO 09MAY2011 | TE Connectivity |
| DIMENSIONS: mm | | CHK J. EARY 09MAY2011 | |
| TOLERANCES UNLESS OTHERWISE SPECIFIED: | | APVD J. EARY 09MAY2011 | |
| 0 PLC ±0.25 | 1 PLC ±0.13 | 2 PLC ±0.13 | NAME IMPACT, 5 PAIR, 16 COLUMN, HEADER LEFT GUIDED, OPEN END WALL SIGNAL MODULE, 0.46 PTH |
| 3 PLC ±0.13 | 4 PLC ±0.13 | ANGLES ±0.13 | SIZE CAGE CODE DRAWING NO RESTRICTED TO |
| MATERIAL | FINISH SEE TABLE | WEIGHT | A100779C=2007856 |
| CUSTOMER DRAWING | | SCALE 5:1 | SHEET 2 OF 2 REV A |