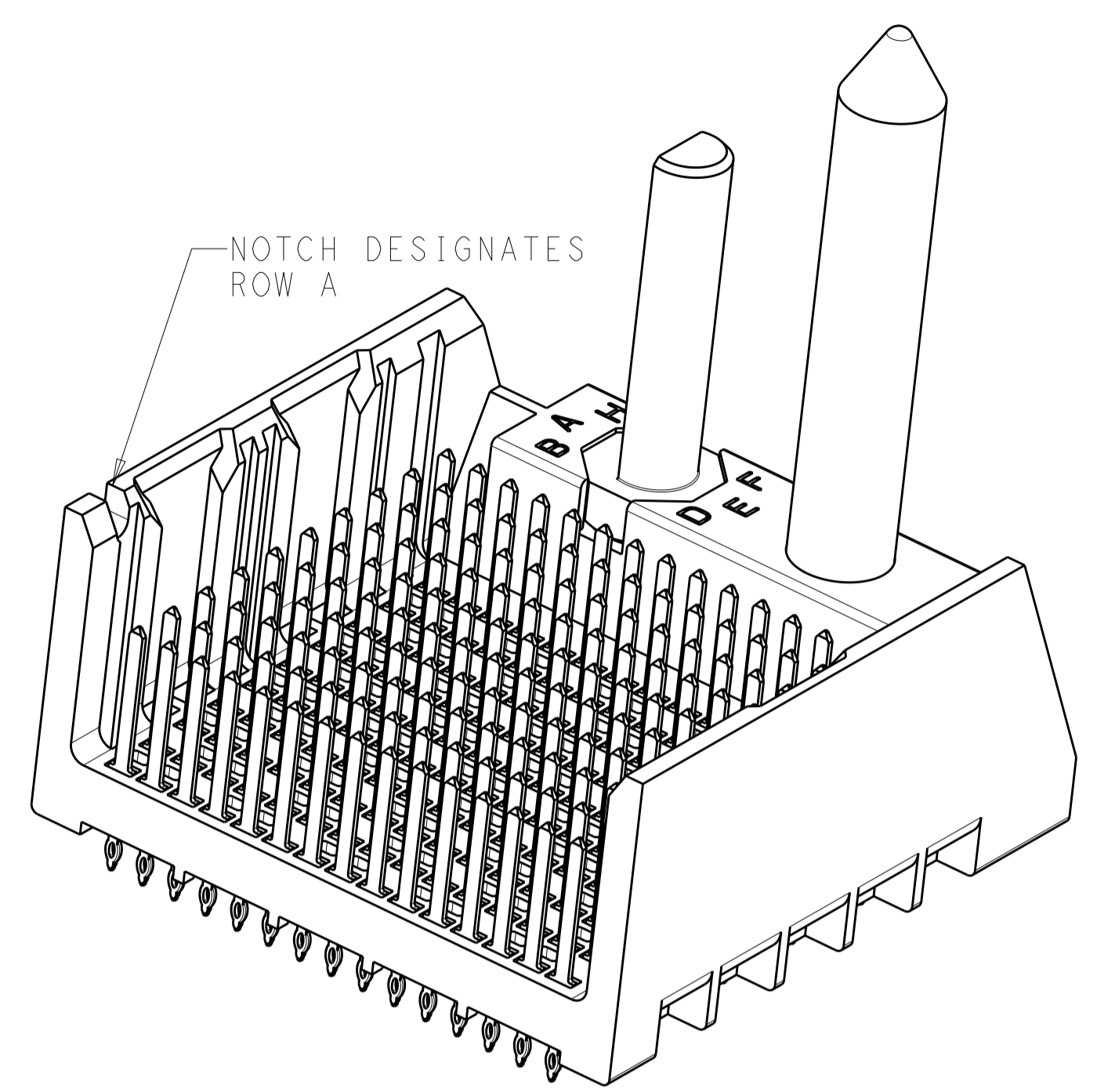
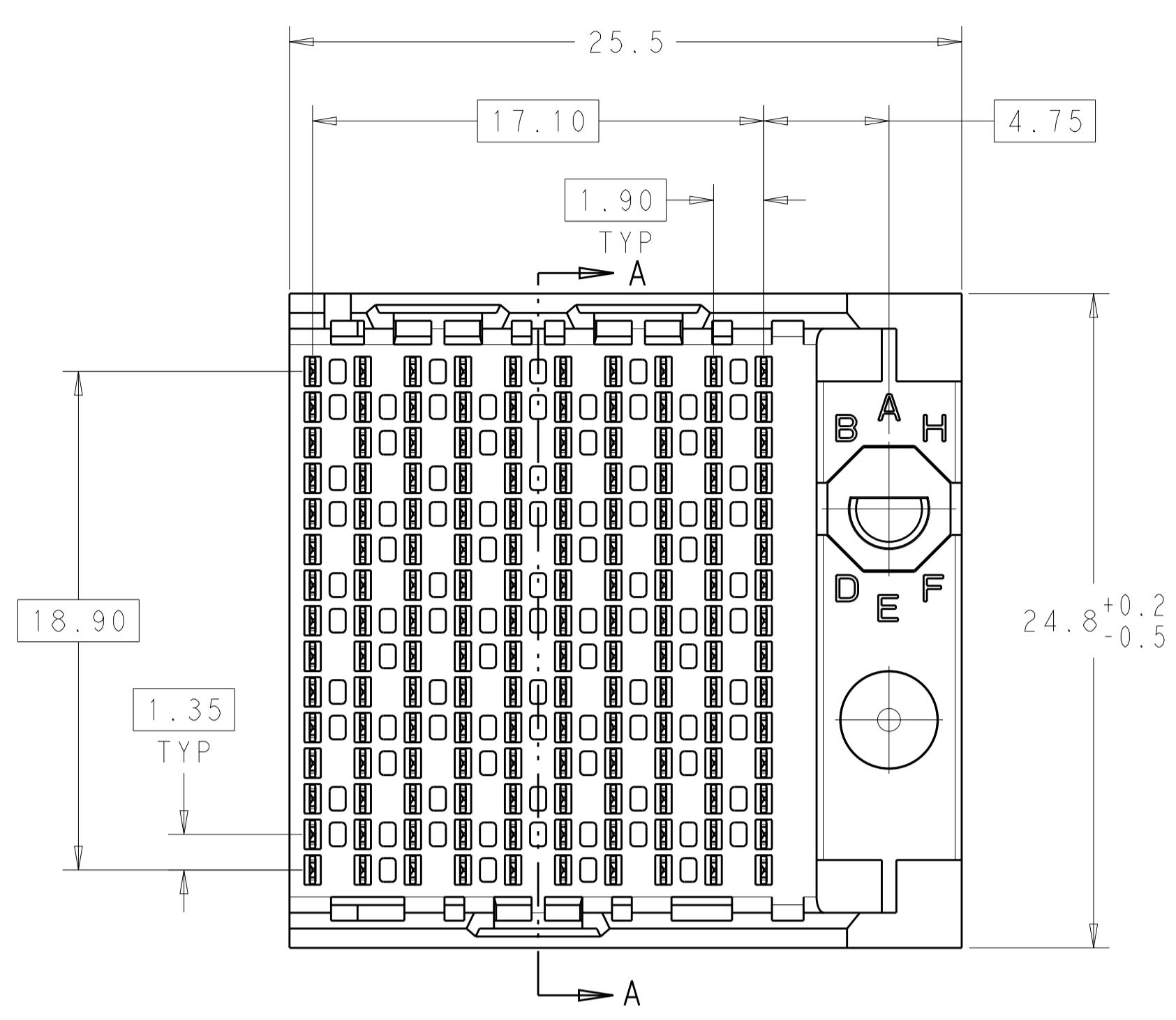
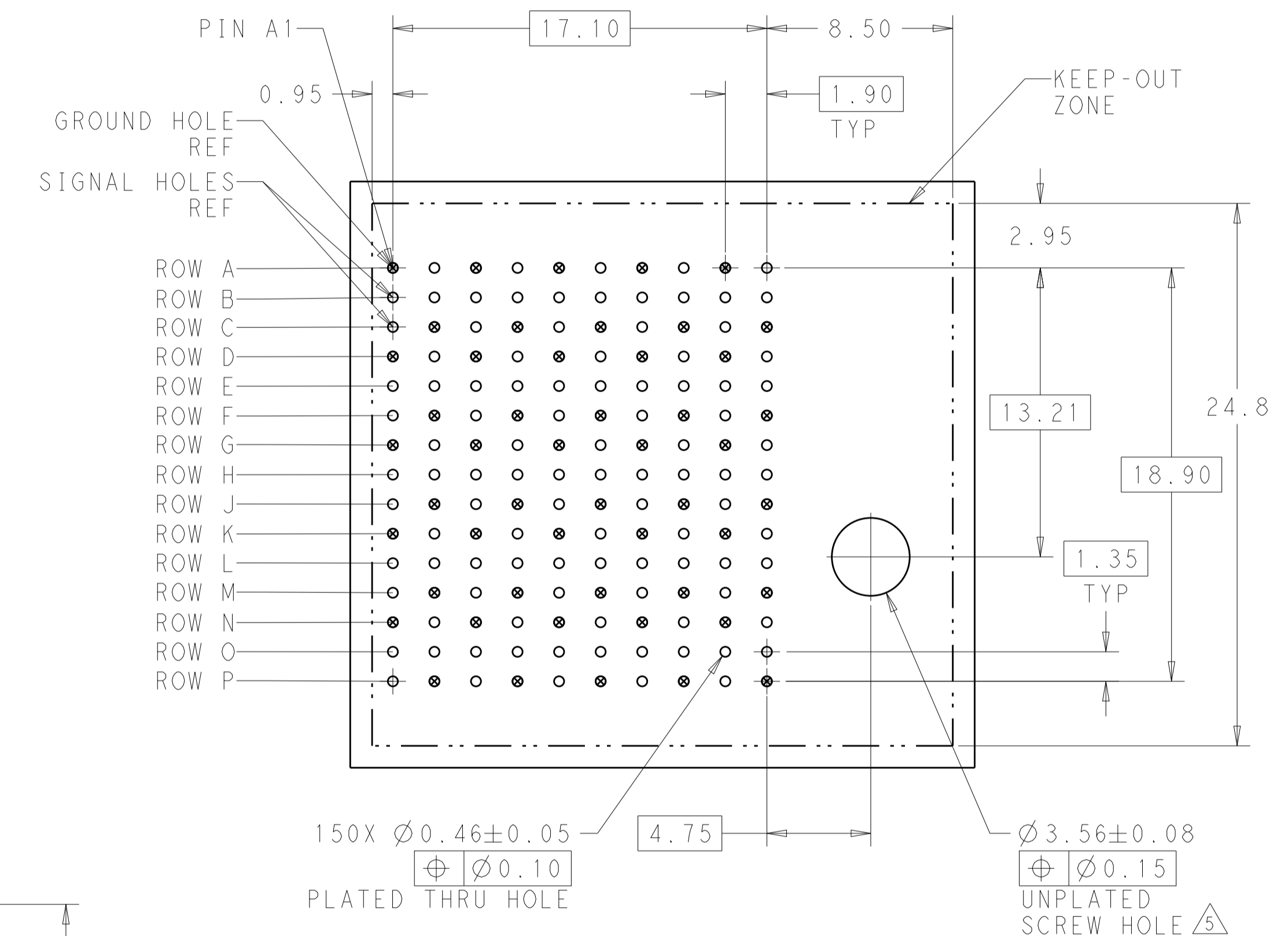


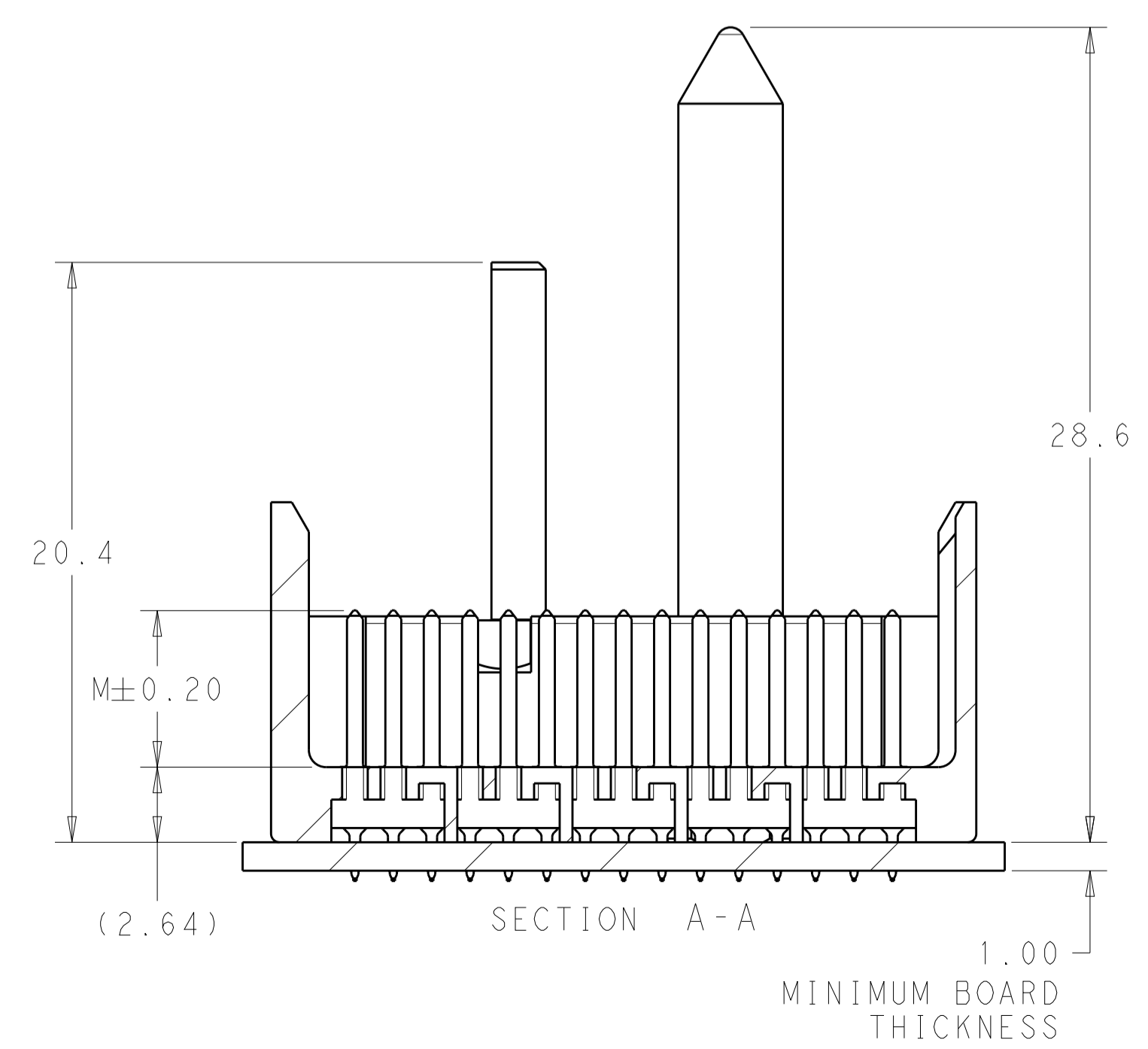
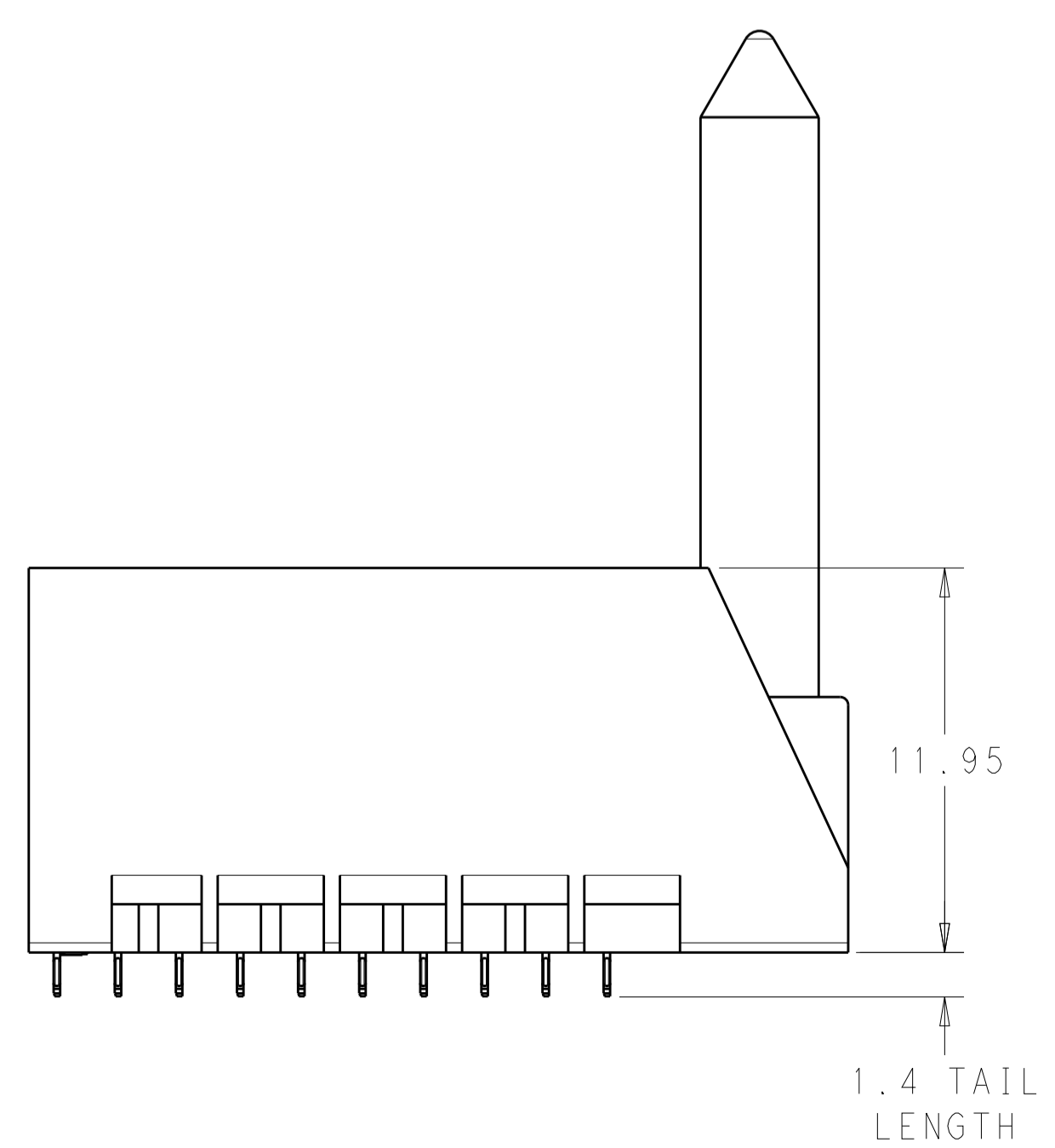
LOC		DIST		REVISIONS			
AD	00	P	LTN	DESCRIPTION	DATE	DWN	APVD
		A		REVISED PER ECO-15-003242	23MAR2015	AP	DD



- ⚠ MATERIAL:
HOUSING: LCP, GLASS FILLED, UL94V-0.
TERMINALS: HIGH PERFORMANCE COPPER ALLOY.
- ⚠ FINISH:
30μ" MIN GOLD IN CONTACT AREA. SELECTIVE TIN ON PCB TAILS, NICKEL OVERALL.
- ⚠ FINISH:
30μ" MIN GOLD IN CONTACT AREA. SELECTIVE TIN-LEAD ON PCB TAILS, NICKEL OVERALL.
- 4. SCREWS PACKAGED IN END OF PACKAGING TUBE.
- ⚠ FOR GROUNDED GUIDE PIN USE $\phi 3.56 \pm 0.08$ PTH, $\phi 3.66$ DRILL, AND $\phi 6.5$ PAD.
- 6. KEYING PIN SHOWN IN POSITION A, SEE KEYING CHART ON SHEET 2 FOR OTHER POSITIONS.



RIGHT GUIDED BACKPLANE HOLE PATTERN (CONNECTOR SIDE)

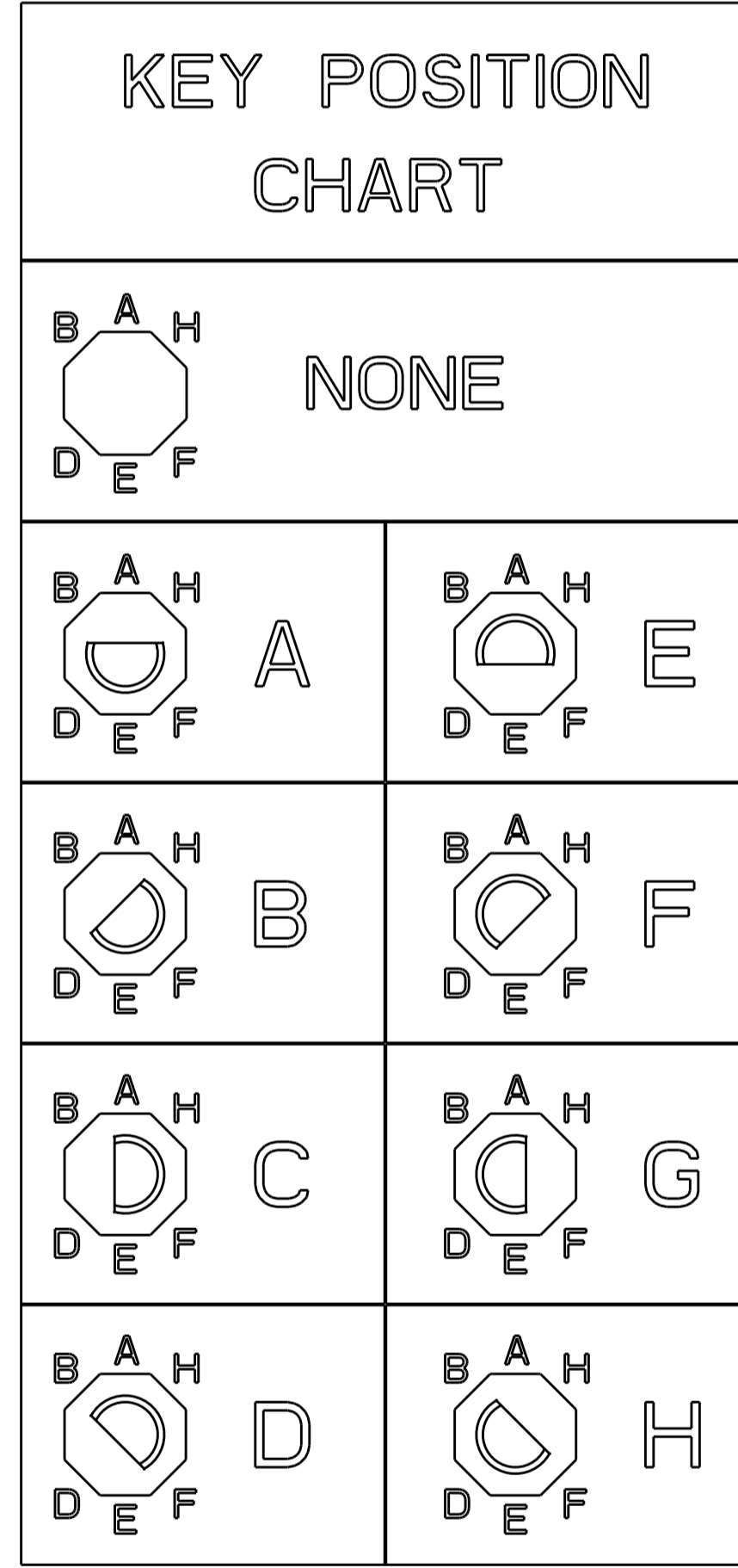


THIS DRAWING IS A CONTROLLED DOCUMENT.		DWN R. COELLO 09MAY2011	TE Connectivity
DIMENSIONS: mm		CHK J. EARY 09MAY2011	
TOLERANCES UNLESS OTHERWISE SPECIFIED:		APVD J. EARY 09MAY2011	NAME
0 PLC	±	PRODUCT SPEC	IMPACT, 5 PAIR, 10 COLUMN, HEADER
1 PLC	±0.25	APPLICATION SPEC	RIGHT GUIDED, OPEN END WALL
3 PLC	±0.13		SIGNAL MODULE, 0.46 PTH
4 PLC	±	SIZE	A100779C=2007844
ANGLES	±	WEIGHT	
FINISH	SEE TABLE	Customer Drawing	SCALE 5:1 SHEET 1 OF 2 REV A

THIS DRAWING IS UNPUBLISHED. RELEASED FOR PUBLICATION 20
 © COPYRIGHT 20 BY - ALL RIGHTS RESERVED.

LOC		DIST		REVISIONS			
AD	00	P	LTN	DESCRIPTION	DATE	DWN	APVD
		-		SEE SHEET 1		-	-

3	H	5.5	8-2007844-6
3	H	4.9	8-2007844-5
3	H	4.5	8-2007844-4
2	H	5.5	8-2007844-3
2	H	4.9	8-2007844-2
2	H	4.5	8-2007844-1
3	G	5.5	7-2007844-6
3	G	4.9	7-2007844-5
3	G	4.5	7-2007844-4
2	G	5.5	7-2007844-3
2	G	4.9	7-2007844-2
2	G	4.5	7-2007844-1
3	F	5.5	6-2007844-6
3	F	4.9	6-2007844-5
3	F	4.5	6-2007844-4
2	F	5.5	6-2007844-3
2	F	4.9	6-2007844-2
2	F	4.5	6-2007844-1
3	E	5.5	5-2007844-6
3	E	4.9	5-2007844-5
3	E	4.5	5-2007844-4
2	E	5.5	5-2007844-3
2	E	4.9	5-2007844-2
2	E	4.5	5-2007844-1
3	D	5.5	4-2007844-6
3	D	4.9	4-2007844-5
3	D	4.5	4-2007844-4
2	D	5.5	4-2007844-3
2	D	4.9	4-2007844-2
2	D	4.5	4-2007844-1
3	C	5.5	3-2007844-6
3	C	4.9	3-2007844-5
3	C	4.5	3-2007844-4
2	C	5.5	3-2007844-3
2	C	4.9	3-2007844-2
2	C	4.5	3-2007844-1
3	B	5.5	2-2007844-6
3	B	4.9	2-2007844-5
3	B	4.5	2-2007844-4
2	B	5.5	2-2007844-3
2	B	4.9	2-2007844-2
2	B	4.5	2-2007844-1
3	A	5.5	1-2007844-6
3	A	4.9	1-2007844-5
3	A	4.5	1-2007844-4
2	A	5.5	1-2007844-3
2	A	4.9	1-2007844-2
2	A	4.5	1-2007844-1
3	-	5.5	2007844-6
3	-	4.9	2007844-5
3	-	4.5	2007844-4
2	-	5.5	2007844-3
2	-	4.9	2007844-2
2	-	4.5	2007844-1
FINISH	KEY POSITION	DIM M	PART NUMBER



REFER TO WWW.TE.COM
FOR PRODUCT AVAILABILITY

THIS DRAWING IS A CONTROLLED DOCUMENT.		DWN R. COELLO 09MAY2011 CHK J. EARY 09MAY2011 APVD J. EARY 09MAY2011	TE Connectivity
DIMENSIONS: mm	TOLERANCES UNLESS OTHERWISE SPECIFIED: 0 PLC ±0.25 1 PLC ±0.13 2 PLC ±0.13 3 PLC ±0.13 4 PLC ±0.13 ANGLES ±0.13	NAME IMPACT, 5 PAIR, 10 COLUMN, HEADER RIGHT GUIDED, OPEN END WALL SIGNAL MODULE, 0.46 PTH	
MATERIAL	FINISH SEE TABLE	WEIGHT	RESTRICTED TO
Customer Drawing		SCALE 5:1	SHEET 2 OF 2 REV A