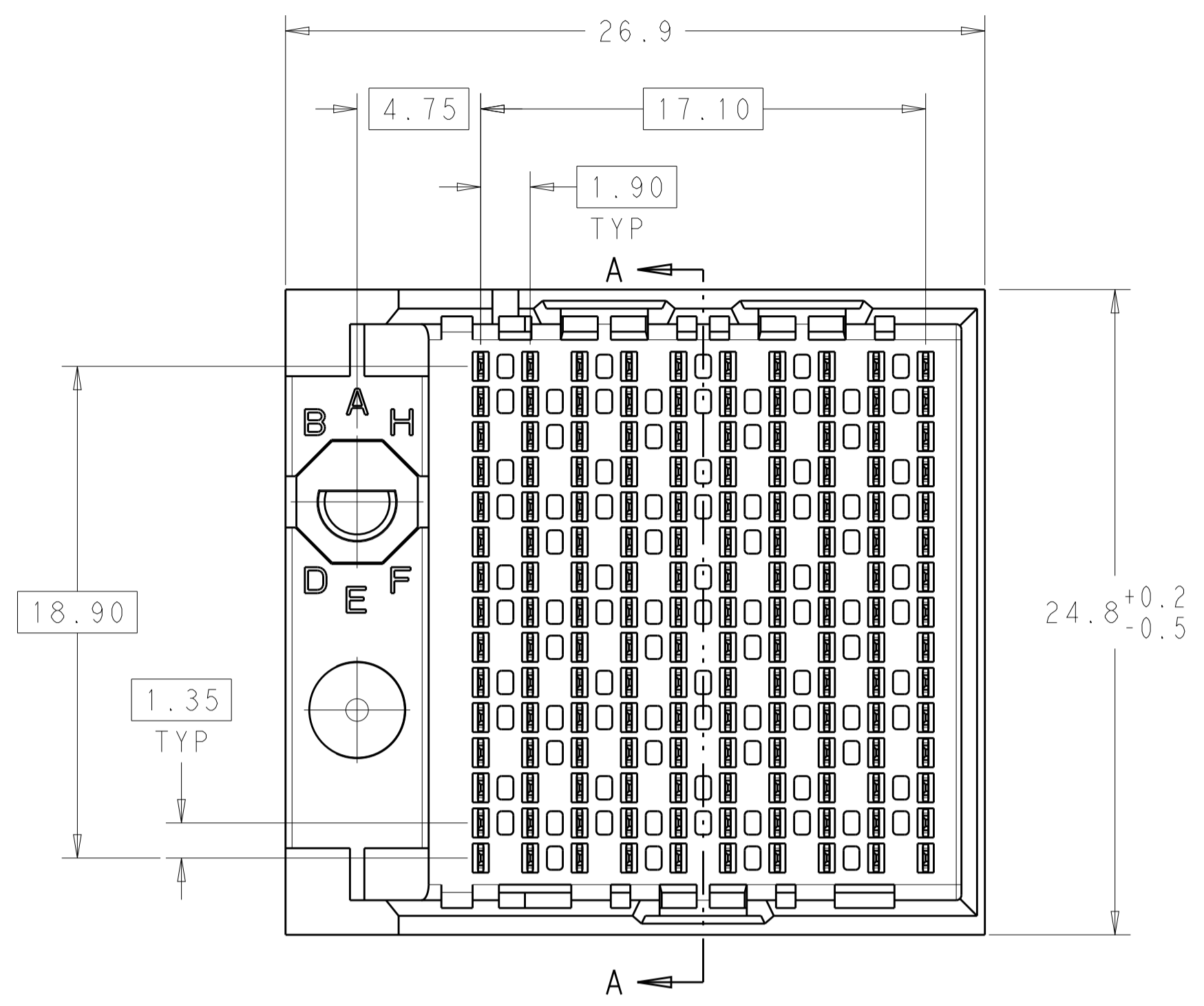
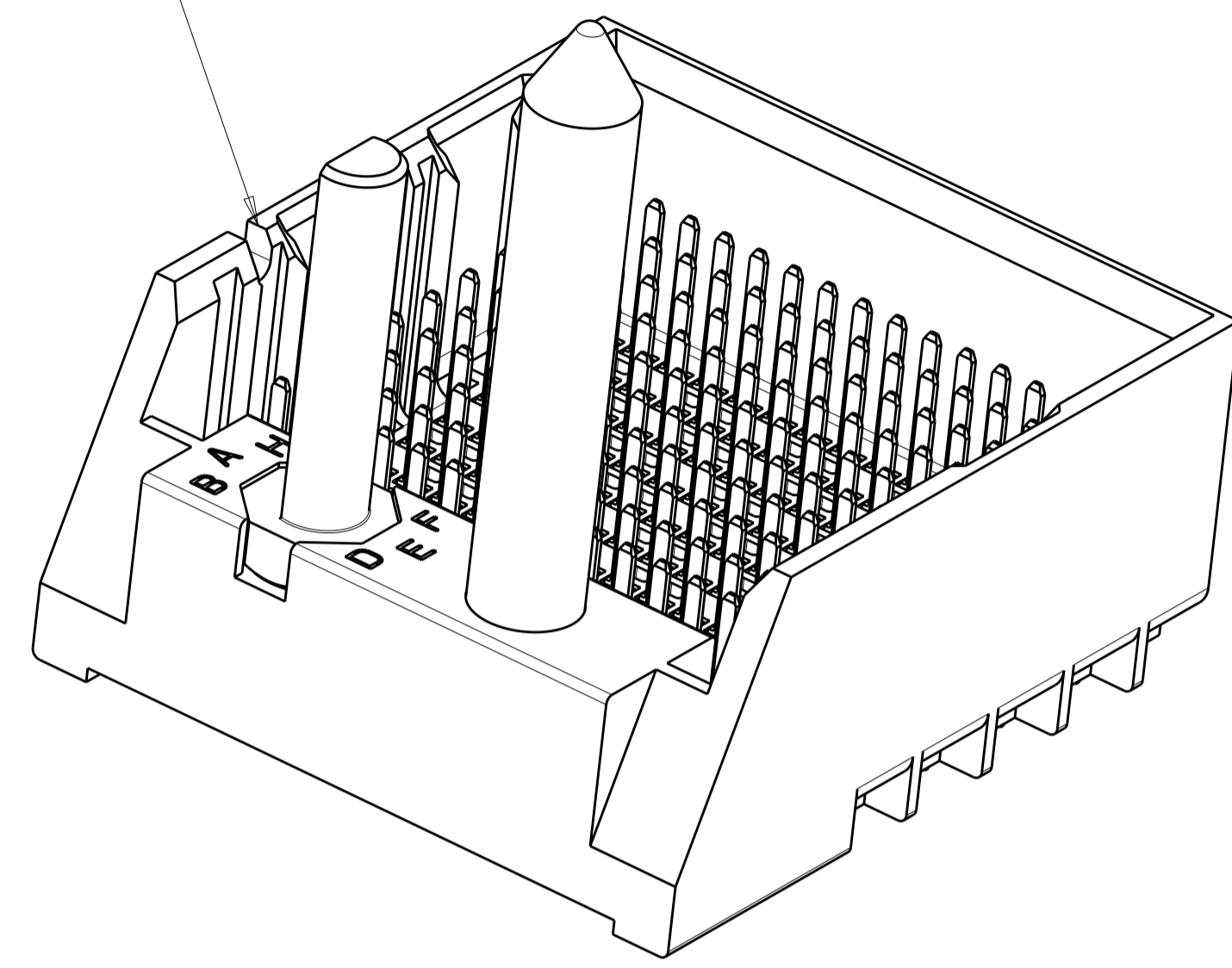


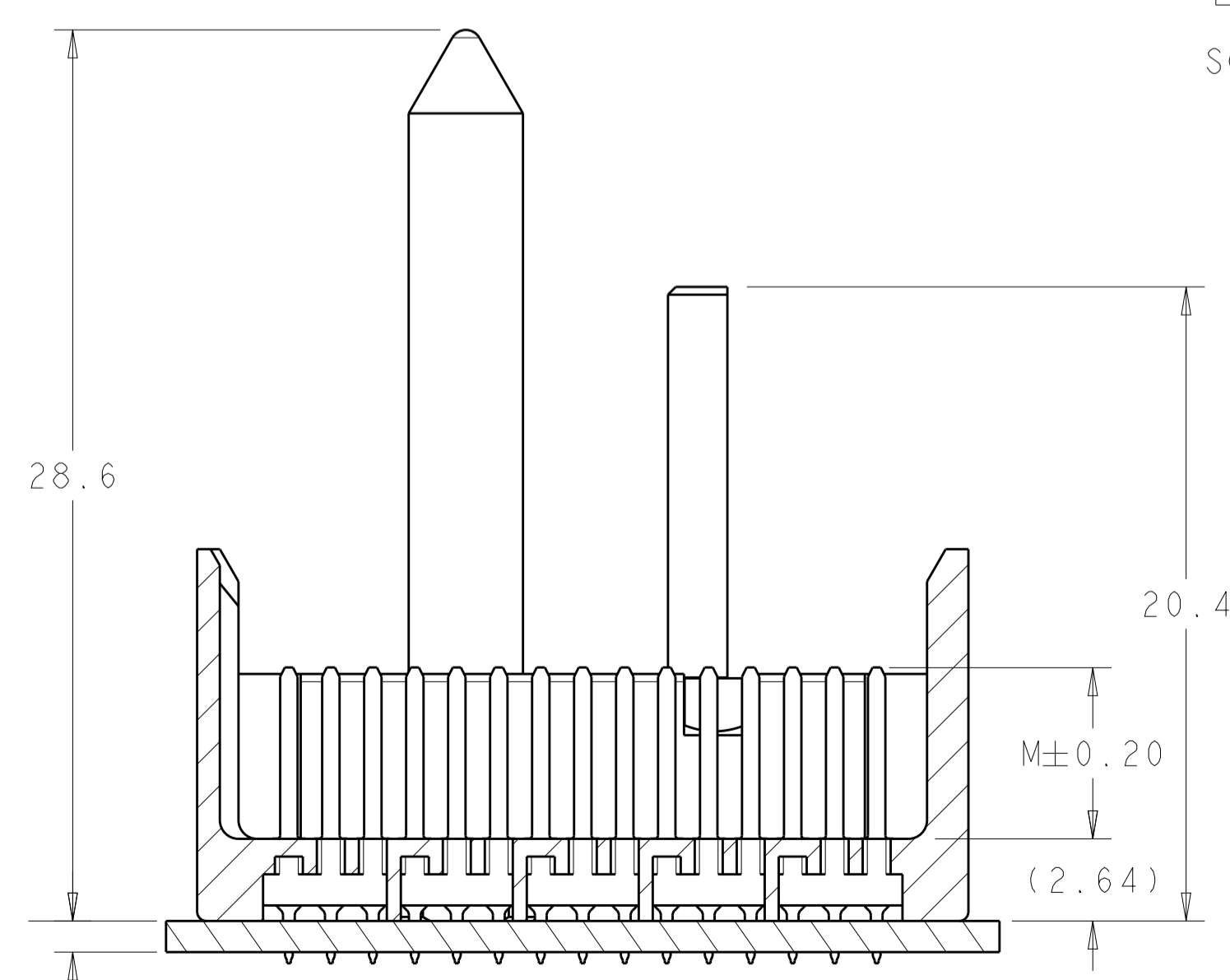
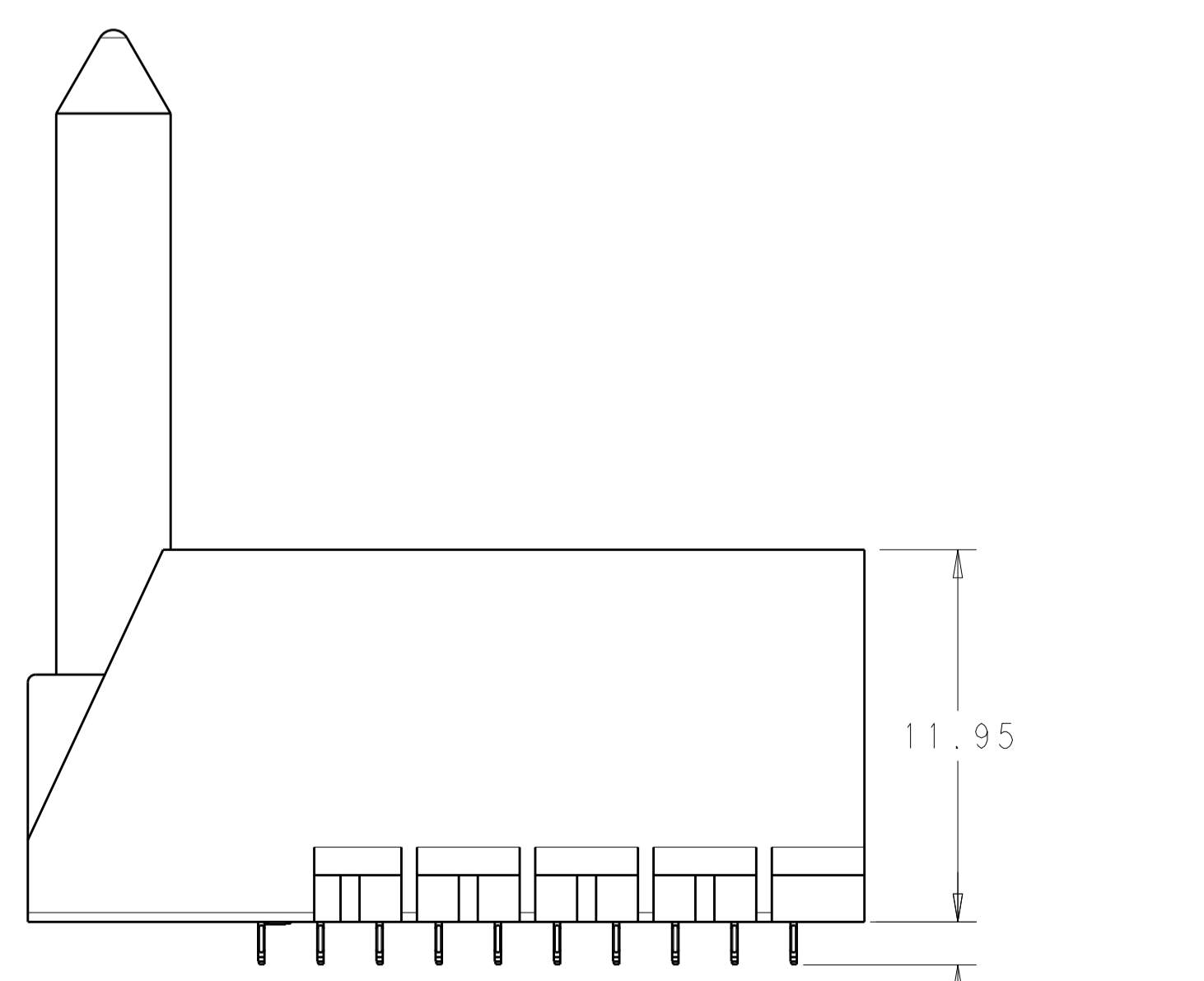
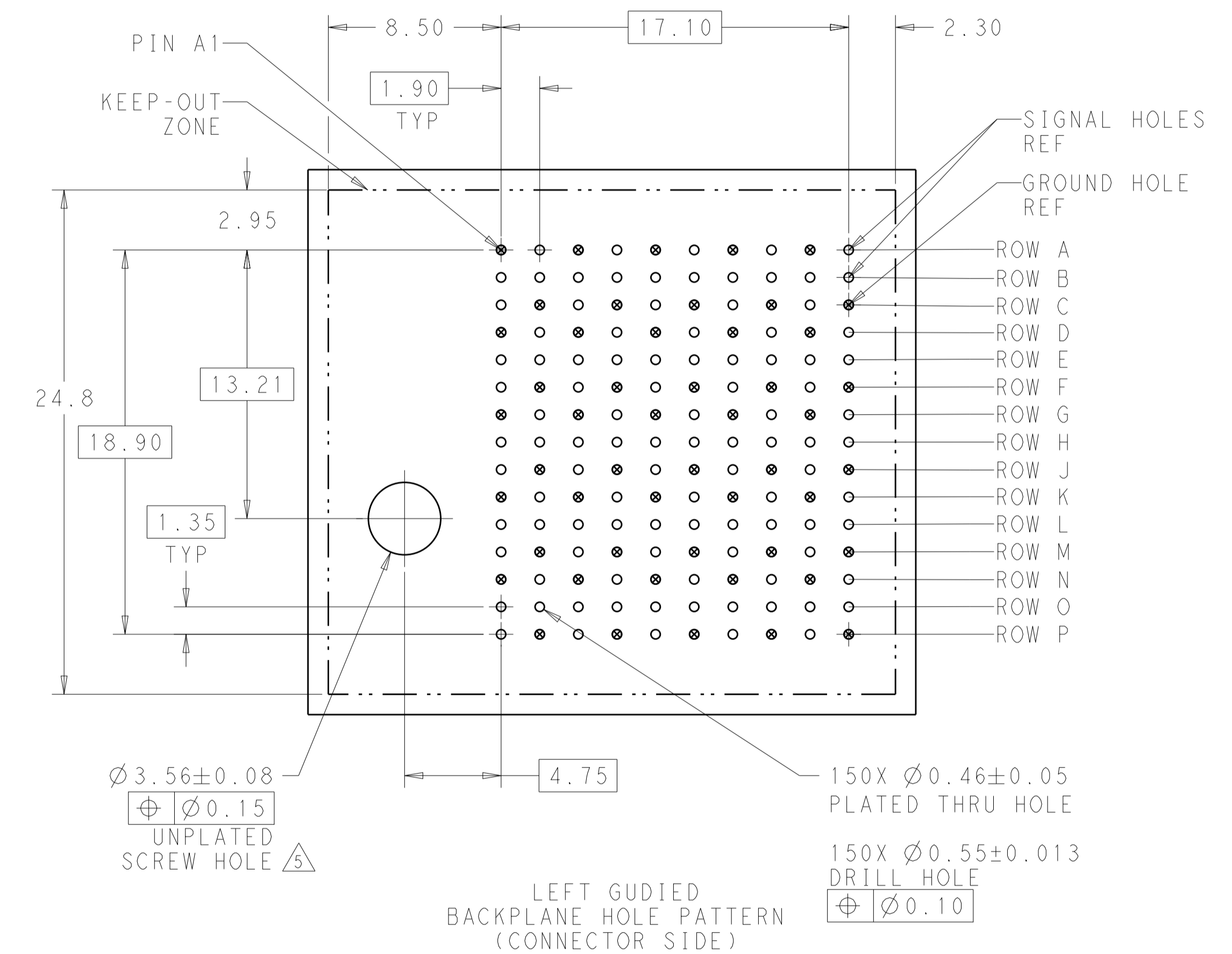
LOC	DIST	REVISIONS			
P	LTN	DESCRIPTION	DATE	DWN	APVD
A		CREATED BY AUTOMATION PROGRAM	09MAY2011	RKC	JE



NOTCH DESIGNATES ROW A



- 1 MATERIAL:
HOUSING: LCP, GLASS FILLED, UL94V-0.
TERMINALS: HIGH PERFORMANCE COPPER ALLOY.
- 2 FINISH:
30µ" MIN GOLD IN CONTACT AREA. SELECTIVE TIN ON PCB TAILS, NICKEL OVERALL.
- 3 FINISH:
30µ" MIN GOLD IN CONTACT AREA. SELECTIVE TIN-LEAD ON PCB TAILS, NICKEL OVERALL.
- 4. SCREWS PACKAGED IN END OF PACKAGING TUBE.
- 5 FOR GROUNDED GUIDE PIN USE Ø3.56±0.08 PTH, Ø3.66 DRILL, AND Ø6.5 PAD.
- 6. KEYING PIN SHOWN IN POSITION A, SEE KEYING CHART ON SHEET 2 FOR OTHER POSITIONS.



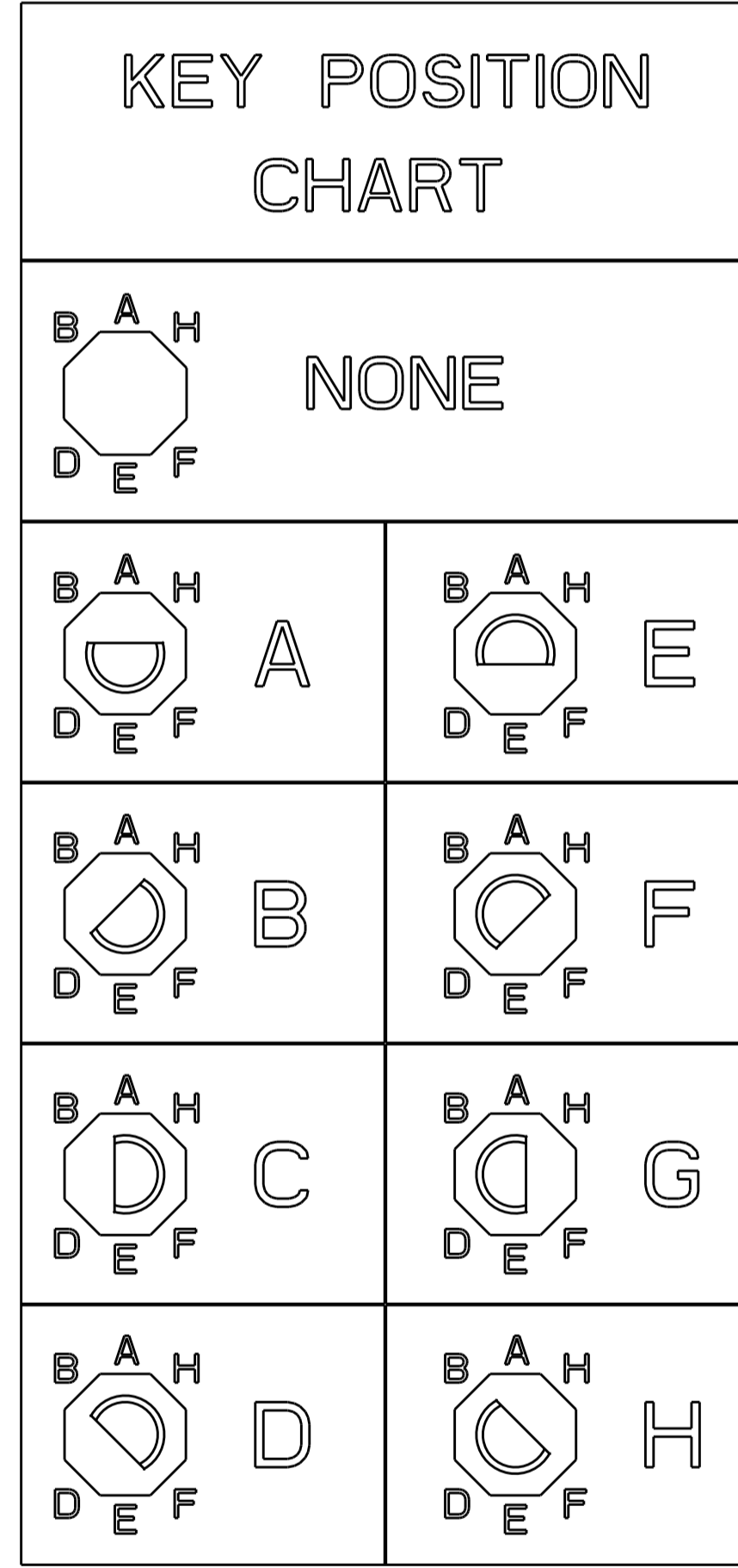
1.4 TAIL LENGTH
1.00 MINIMUM BOARD THICKNESS

THIS DRAWING IS A CONTROLLED DOCUMENT.		DWN: R. COELLO 09MAY2011	TE Connectivity
DIMENSIONS: mm		CHK: J. EARY 09MAY2011	
TOLERANCES UNLESS OTHERWISE SPECIFIED:		APVD: J. EARY 09MAY2011	NAME: IMPACT, 5 PAIR, 10 COLUMN, HEADER LEFT GUIDED, RIGHT END WALL SIGNAL MODULE, 0.46 PTH SIZE: CAGE CODE DRAWING NO: A100779C=2007842 RESTRICTED TO:
0 PLC ±0.25 1 PLC ±0.13 2 PLC ±0.13 3 PLC ±0.13 4 PLC ±0.13 ANGLES ±0.13		PRODUCT SPEC	
MATERIAL: SEE TABLE		APPLICATION SPEC	SCALE: 5:1 SHEET 1 OF 2 REV A
FINISH: SEE TABLE		WEIGHT	CUSTOMER DRAWING

LOC	DIST	REVISIONS			
P	LTN	DESCRIPTION	DATE	DWN	APVD
-	-	SEE SHEET 1	-	-	-

3	H	5.5	8-2007842-6
3	H	4.9	8-2007842-5
3	H	4.5	8-2007842-4
2	H	5.5	8-2007842-3
2	H	4.9	8-2007842-2
2	H	4.5	8-2007842-1
3	G	5.5	7-2007842-6
3	G	4.9	7-2007842-5
3	G	4.5	7-2007842-4
2	G	5.5	7-2007842-3
2	G	4.9	7-2007842-2
2	G	4.5	7-2007842-1
3	F	5.5	6-2007842-6
3	F	4.9	6-2007842-5
3	F	4.5	6-2007842-4
2	F	5.5	6-2007842-3
2	F	4.9	6-2007842-2
2	F	4.5	6-2007842-1
3	E	5.5	5-2007842-6
3	E	4.9	5-2007842-5
3	E	4.5	5-2007842-4
2	E	5.5	5-2007842-3
2	E	4.9	5-2007842-2
2	E	4.5	5-2007842-1
3	D	5.5	4-2007842-6
3	D	4.9	4-2007842-5
3	D	4.5	4-2007842-4
2	D	5.5	4-2007842-3
2	D	4.9	4-2007842-2
2	D	4.5	4-2007842-1
3	C	5.5	3-2007842-6
3	C	4.9	3-2007842-5
3	C	4.5	3-2007842-4
2	C	5.5	3-2007842-3
2	C	4.9	3-2007842-2
2	C	4.5	3-2007842-1
3	B	5.5	2-2007842-6
3	B	4.9	2-2007842-5
3	B	4.5	2-2007842-4
2	B	5.5	2-2007842-3
2	B	4.9	2-2007842-2
2	B	4.5	2-2007842-1
3	A	5.5	1-2007842-6
3	A	4.9	1-2007842-5
3	A	4.5	1-2007842-4
2	A	5.5	1-2007842-3
2	A	4.9	1-2007842-2
2	A	4.5	1-2007842-1
3	-	5.5	2007842-6
3	-	4.9	2007842-5
3	-	4.5	2007842-4
2	-	5.5	2007842-3
2	-	4.9	2007842-2
2	-	4.5	2007842-1
FINISH	KEY POSITION	DIM M	PART NUMBER

REFER TO WWW.TE.COM
FOR PRODUCT AVAILABILITY



THIS DRAWING IS A CONTROLLED DOCUMENT.		DWN R. COELLO 09MAY2011	TE Connectivity
DIMENSIONS: mm		CHK J. EARY 09MAY2011	
TOLERANCES UNLESS OTHERWISE SPECIFIED:		APVD J. EARY 09MAY2011	NAME IMPACT, 5 PAIR, 10 COLUMN, HEADER LEFT GUIDED, RIGHT END WALL SIGNAL MODULE, 0.46 PTH
0 PLC ±0.25		PRODUCT SPEC	SIZE CAGE CODE DRAWING NO RESTRICTED TO
1 PLC ±0.13		APPLICATION SPEC	A100779C=2007842
2 PLC ±0.10		WEIGHT	SCALE 5:1 SHEET 2 OF 2 REV A
3 PLC ±0.08		CUSTOMER DRAWING	
4 PLC ±0.05			
ANGLES			
FINISH SEE TABLE			