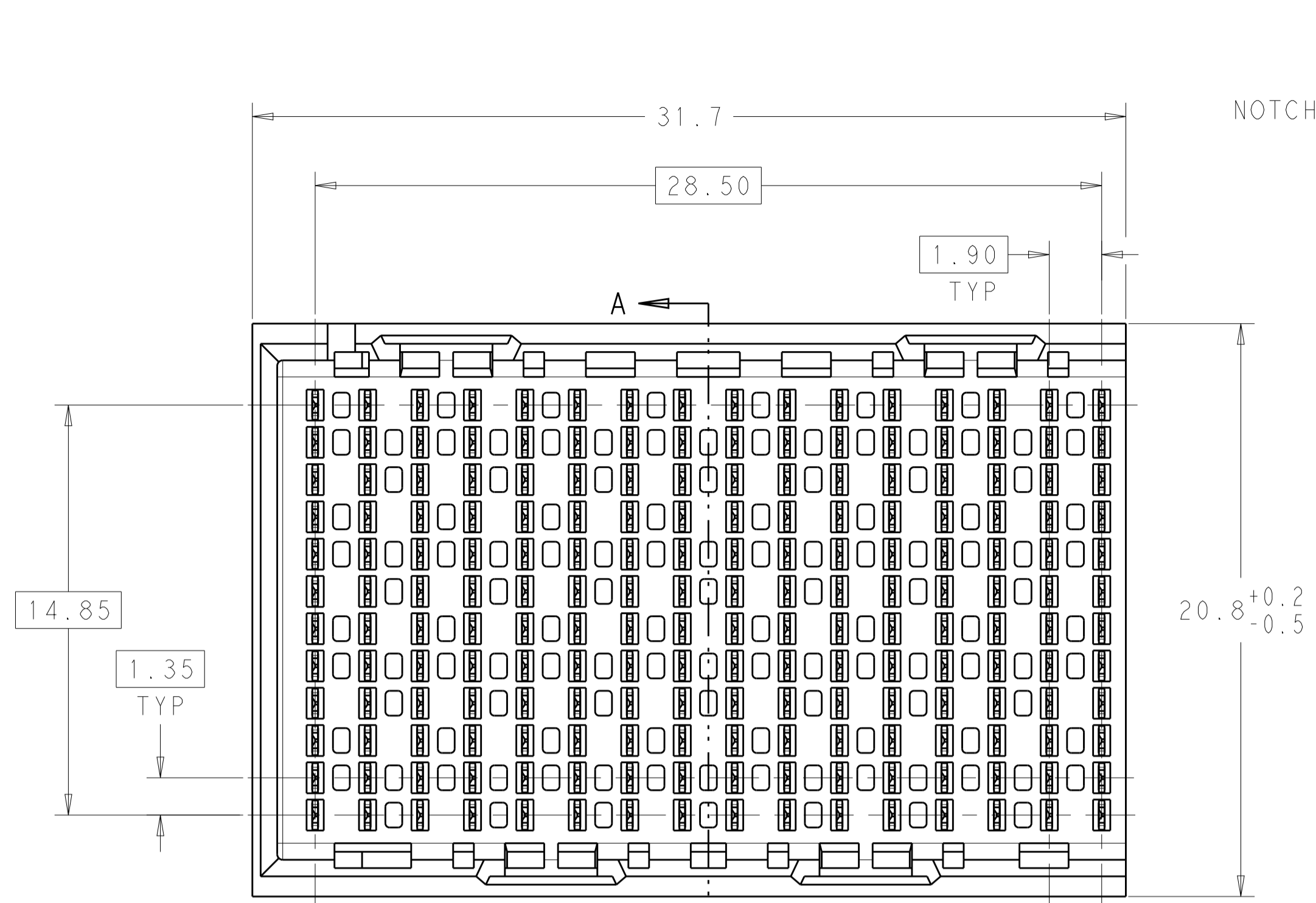
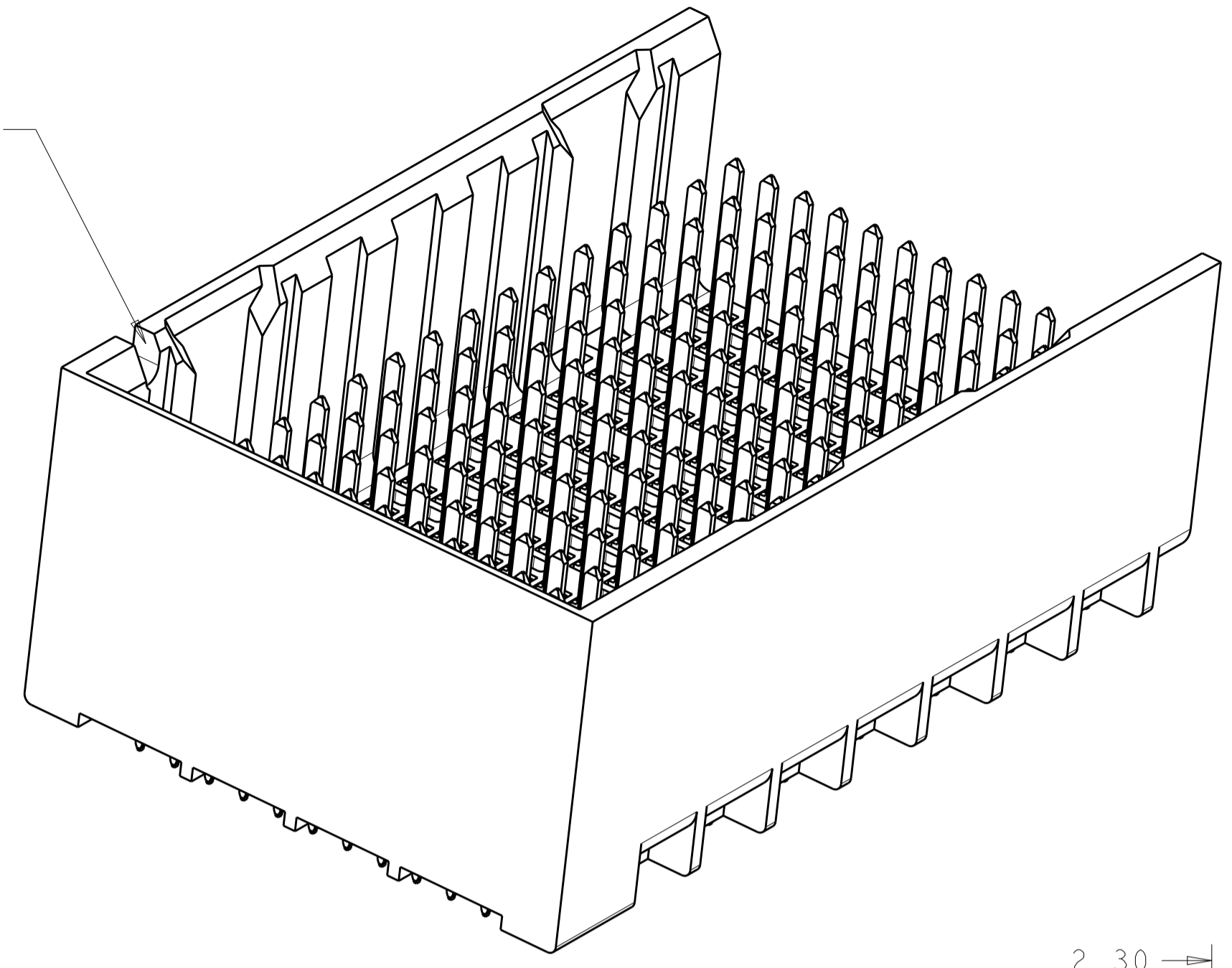


LOC	DIST	REVISIONS			
P	LTN	DESCRIPTION	DATE	DWN	APVD
A		REVISED PER ECO-15-001494	05FEB2015	AP	DD

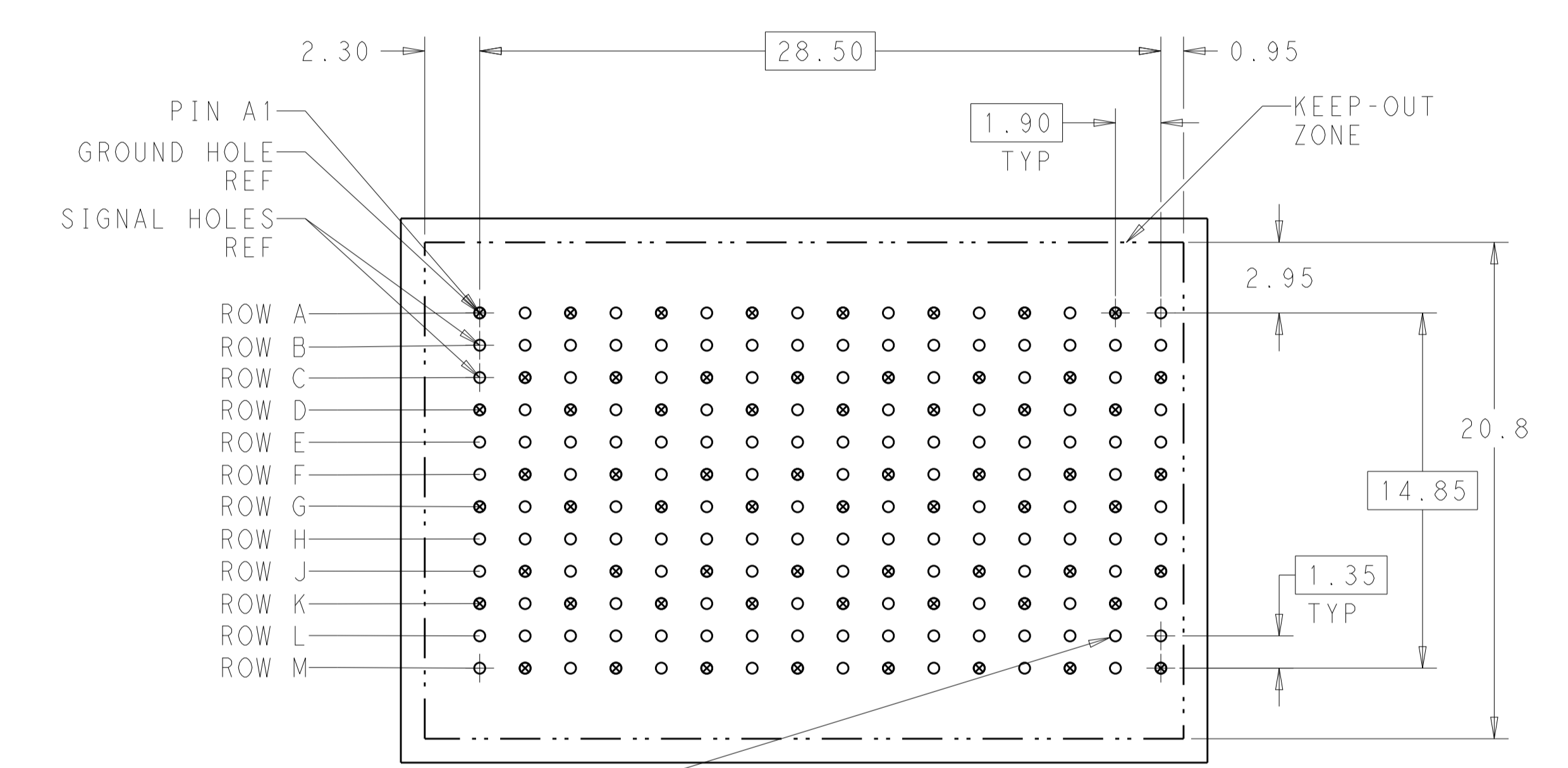


NOTCH DESIGNATES ROW A



⚠ MATERIAL:
HOUSING: LCP, GLASS FILLED, UL94V-0.
TERMINALS: HIGH PERFORMANCE COPPER ALLOY.

⚠ FINISH:
30µ" MIN GOLD IN CONTACT AREA. SELECTIVE TIN ON PCB TAILS, NICKEL OVERALL.

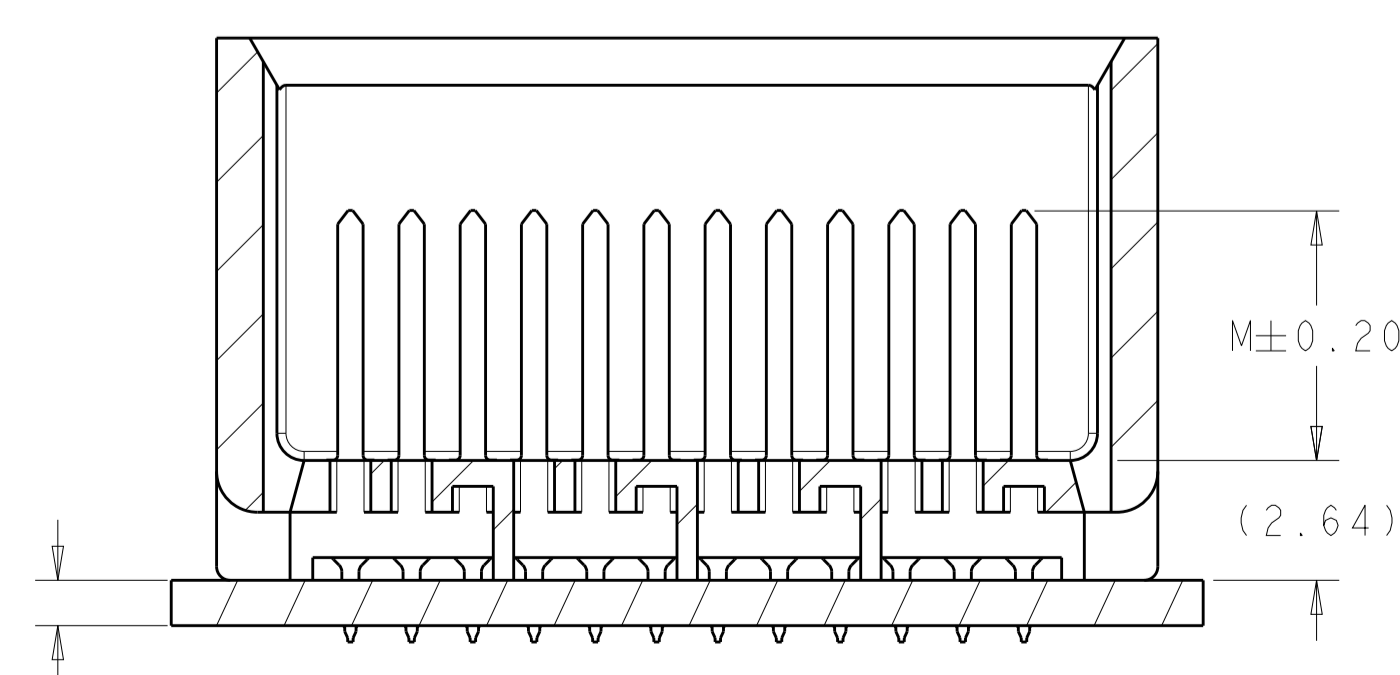
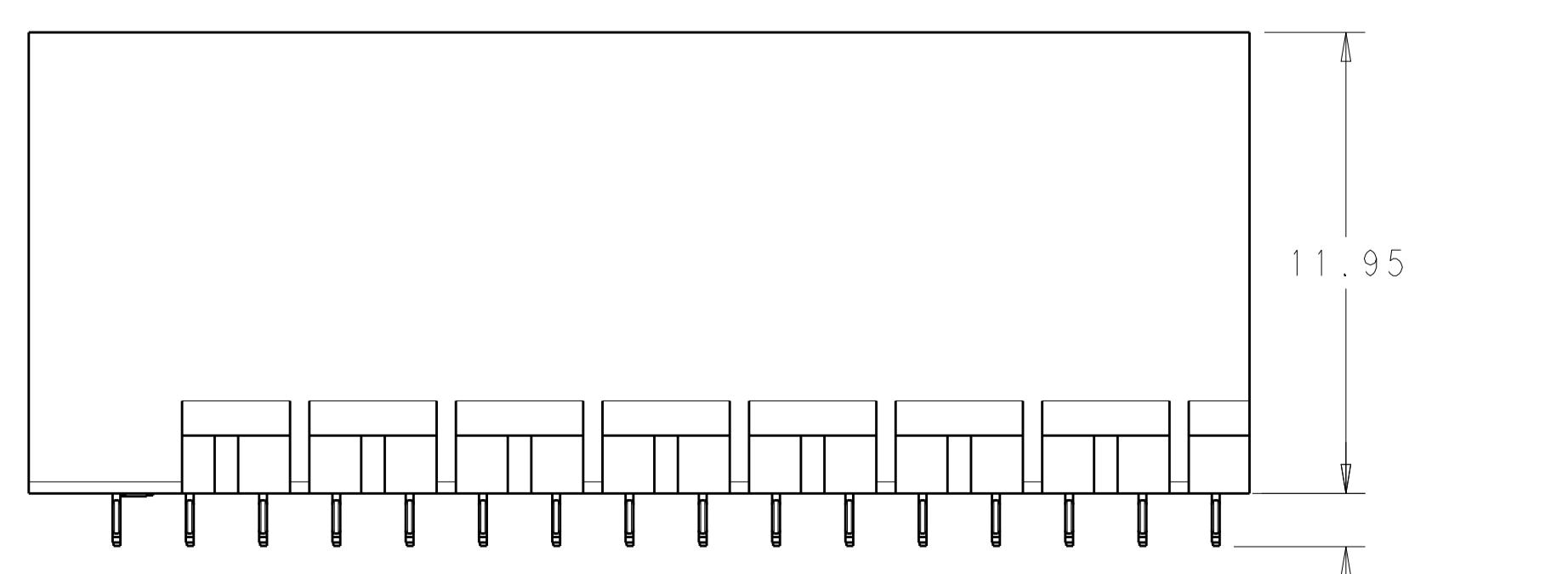


192X $\varnothing 0.46 \pm 0.05$ PLATED THRU HOLE

192X $\varnothing 0.55 \pm 0.013$ DRILL HOLE

$\varnothing 0.10$

UNGUIDED BACKPLANE HOLE PATTERN (CONNECTOR SIDE)



THIS DRAWING IS A CONTROLLED DOCUMENT.		DWN: KIRAN HOLLA 11JAN2013	 TE Connectivity
DIMENSIONS: mm		CHK: D. DIXON 11JAN2013	
TOLERANCES UNLESS OTHERWISE SPECIFIED:		APVD: D. DIXON 11JAN2013	
0 PLC ± 1 PLC ±0.25 2 PLC ±0.13 3 PLC ± 4 PLC ± ANGLES ±		NAME: IMPACT, 4 PAIR, 16 COLUMN, HEADER UNGUIDED, LEFT END WALL SIGNAL MODULE, 0.46 PTH	
MATERIAL: ⚠	FINISH: SEE TABLE	WEIGHT: -	RESTRICTED TO: -
Customer Drawing		SCALE: 6:1	SHEET 1 OF 2 REV A

8

7

6

5

4

3

2

1

THIS DRAWING IS UNPUBLISHED.	RELEASED FOR PUBLICATION	20
© COPYRIGHT 20	BY -	ALL RIGHTS RESERVED.

LOC	DIST	REVISIONS					
		P	LTN	DESCRIPTION	DATE	DWN	APVD
AD	00	-	-	SEE SHEET 1	-	-	-

	5.5	2007833-3
	4.9	2007833-2
	4.5	2007833-1
FINISH	DIM M	PART NUMBER

REFER TO WWW.TE.COM
FOR PRODUCT AVAILABILITY

THIS DRAWING IS A CONTROLLED DOCUMENT.		DWN	KIRAN HOLAL	11JAN2013		TE Connectivity
		CHK	D. DIXON	11JAN2013		
DIMENSIONS:		TOLERANCES UNLESS OTHERWISE SPECIFIED:		NAME		IMPACT, 4 PAIR, 16 COLUMN, HEADER UNGUIDED, LEFT END WALL SIGNAL MODULE, 0.46 PTH
mm		0 PLC ±0.25 2 PLC ±0.13 3 PLC ± 4 PLC ± ANGLES ±		PRODUCT SPEC		
		FINISH		APPLICATION SPEC		RESTRICTED TO
MATERIAL		SEE TABLE		WEIGHT		SIZE
				Customer Drawing		A 100779 ©=2007833
				SCALE		5:1 SHEET 2 OF 2 REV A