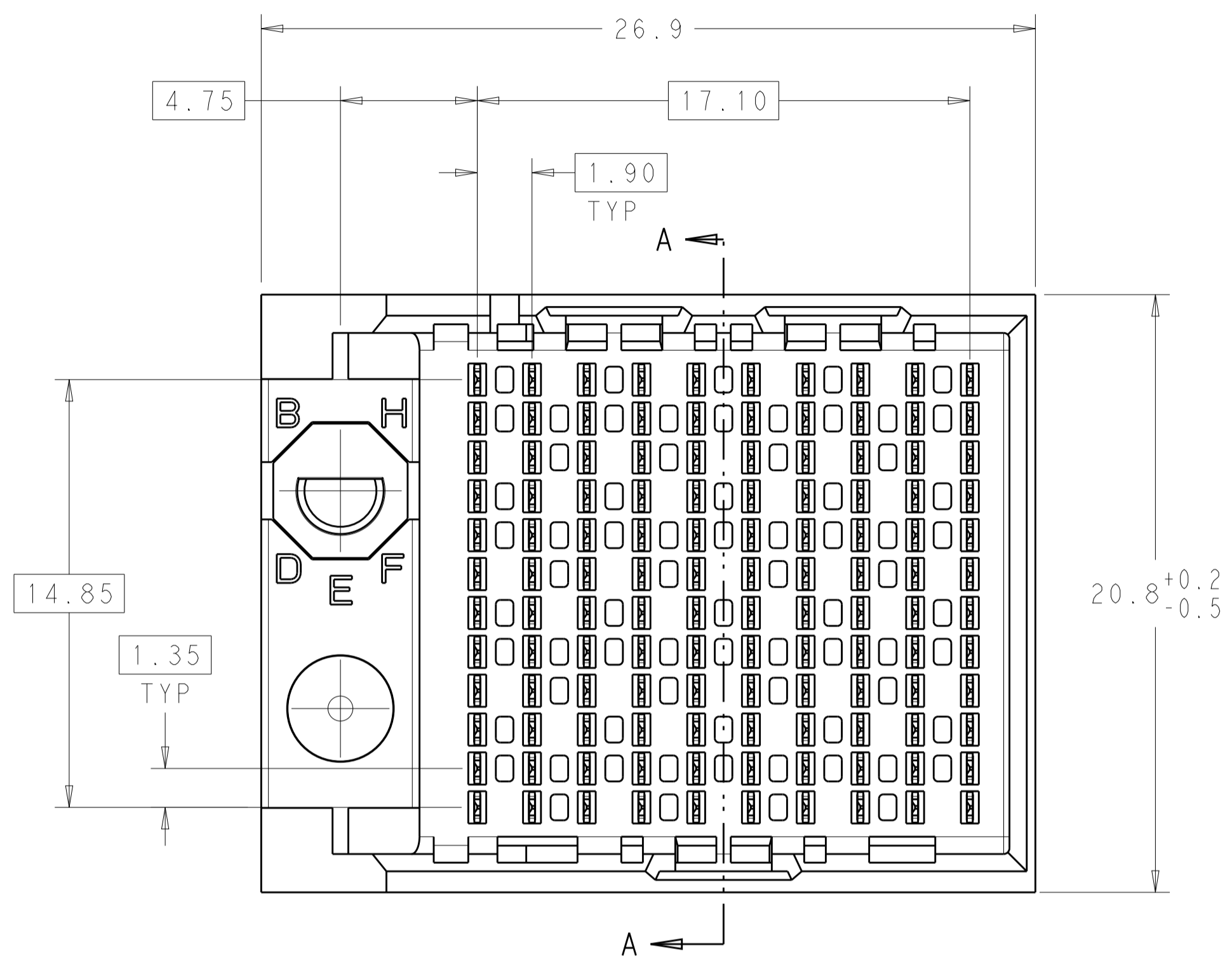
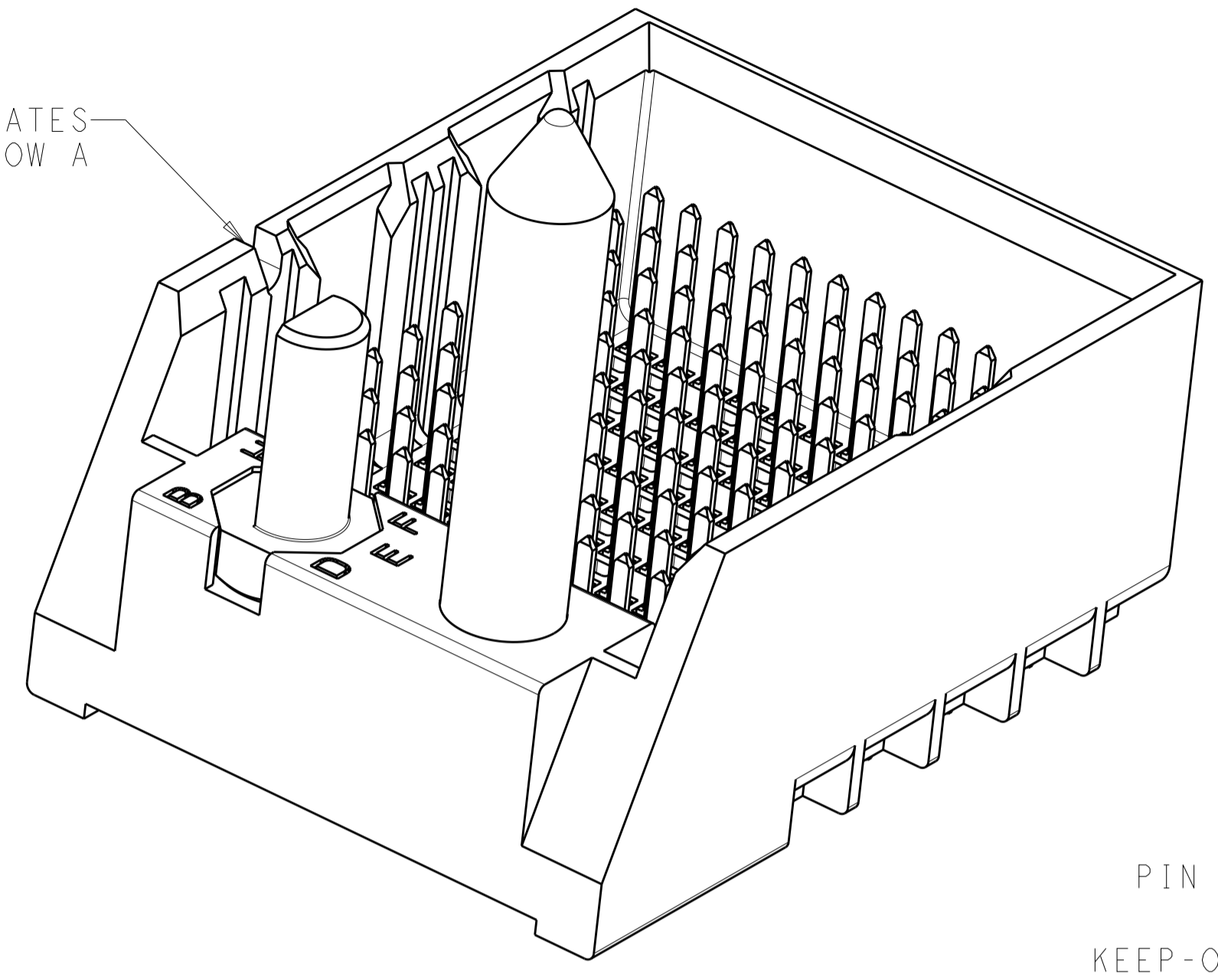


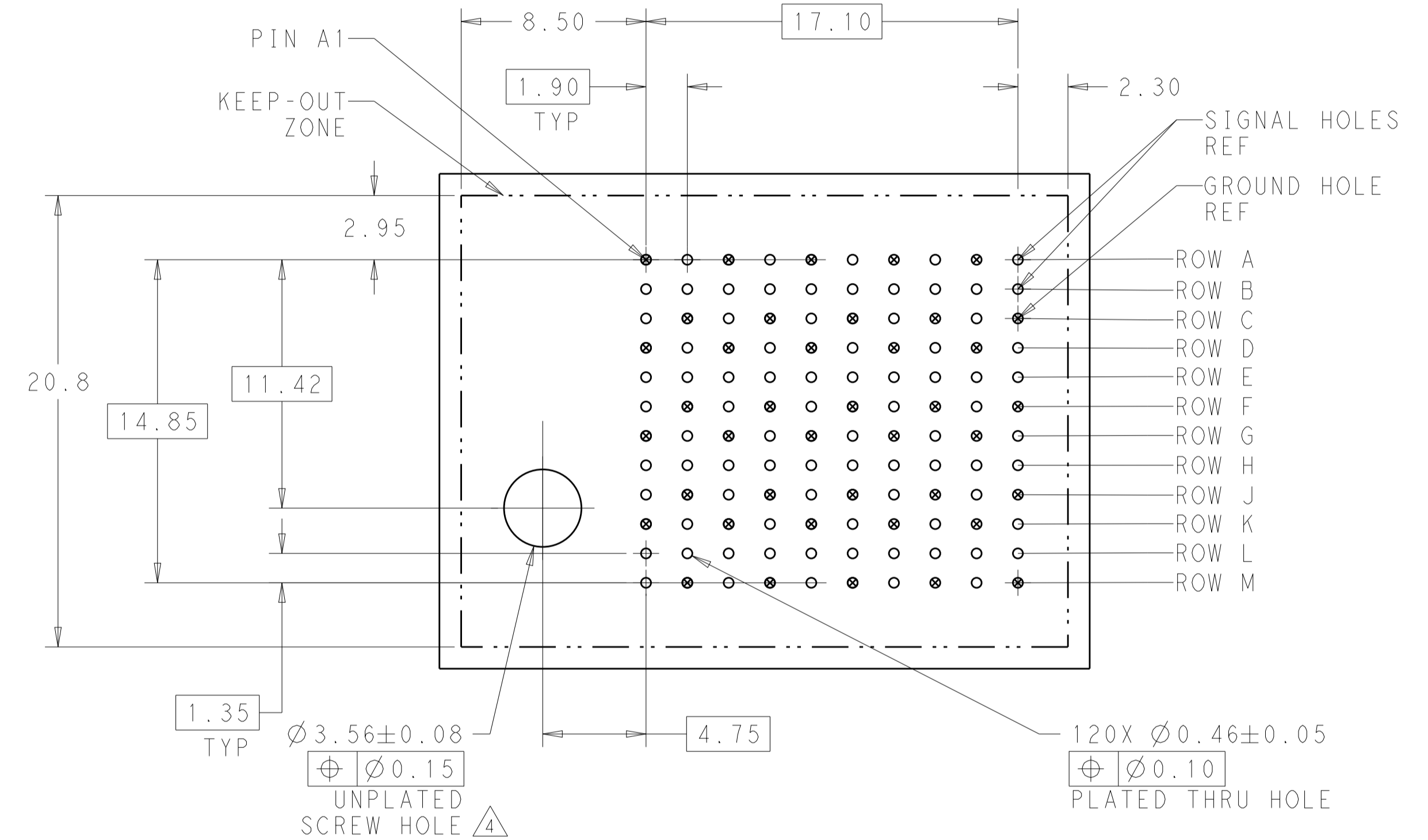
REVISIONS				
P.	LTN.	DESCRIPTION	DATE	APVD.
A1		REVISED PER ECO-15-001494	03FEB2015	AP DD



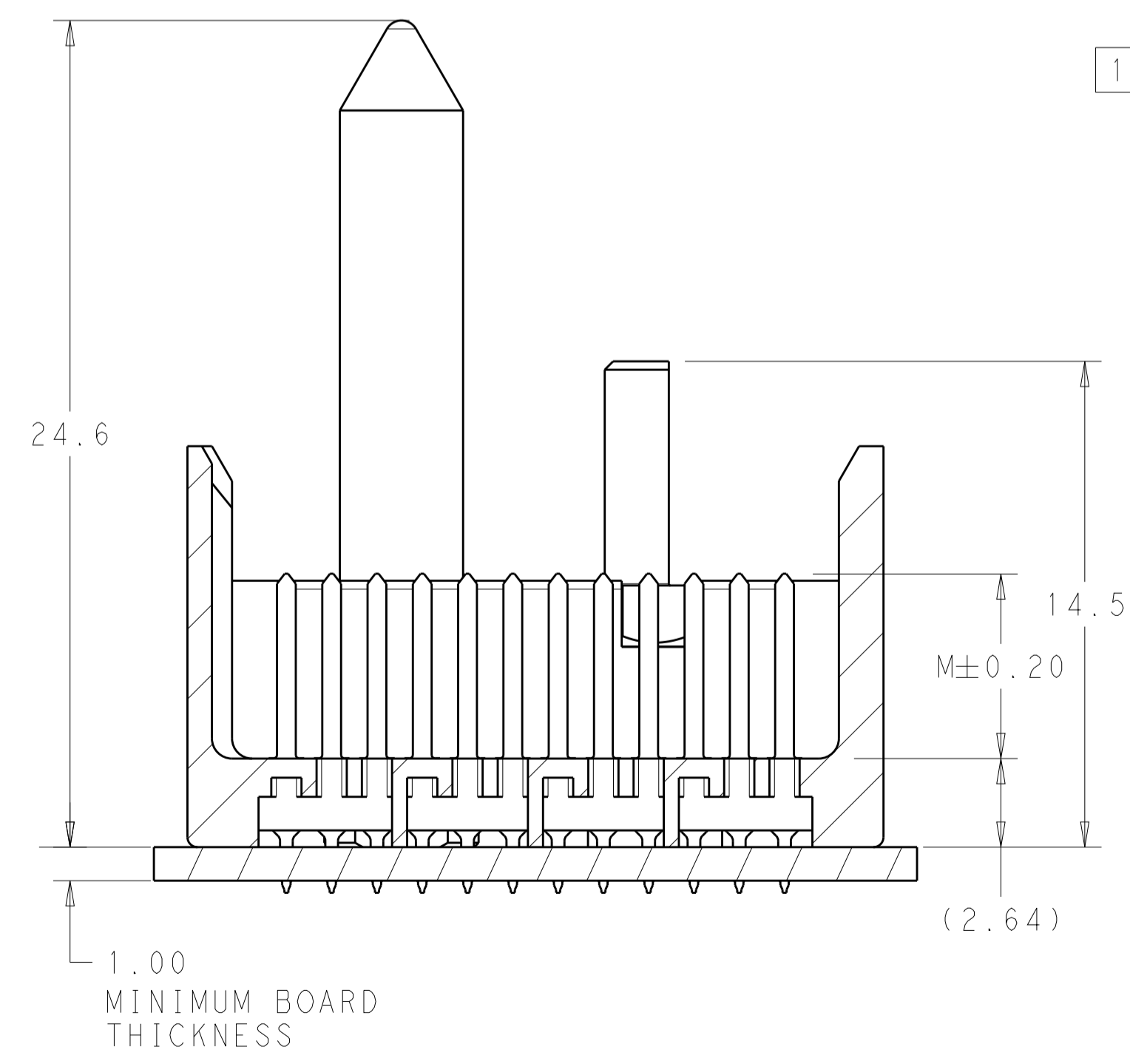
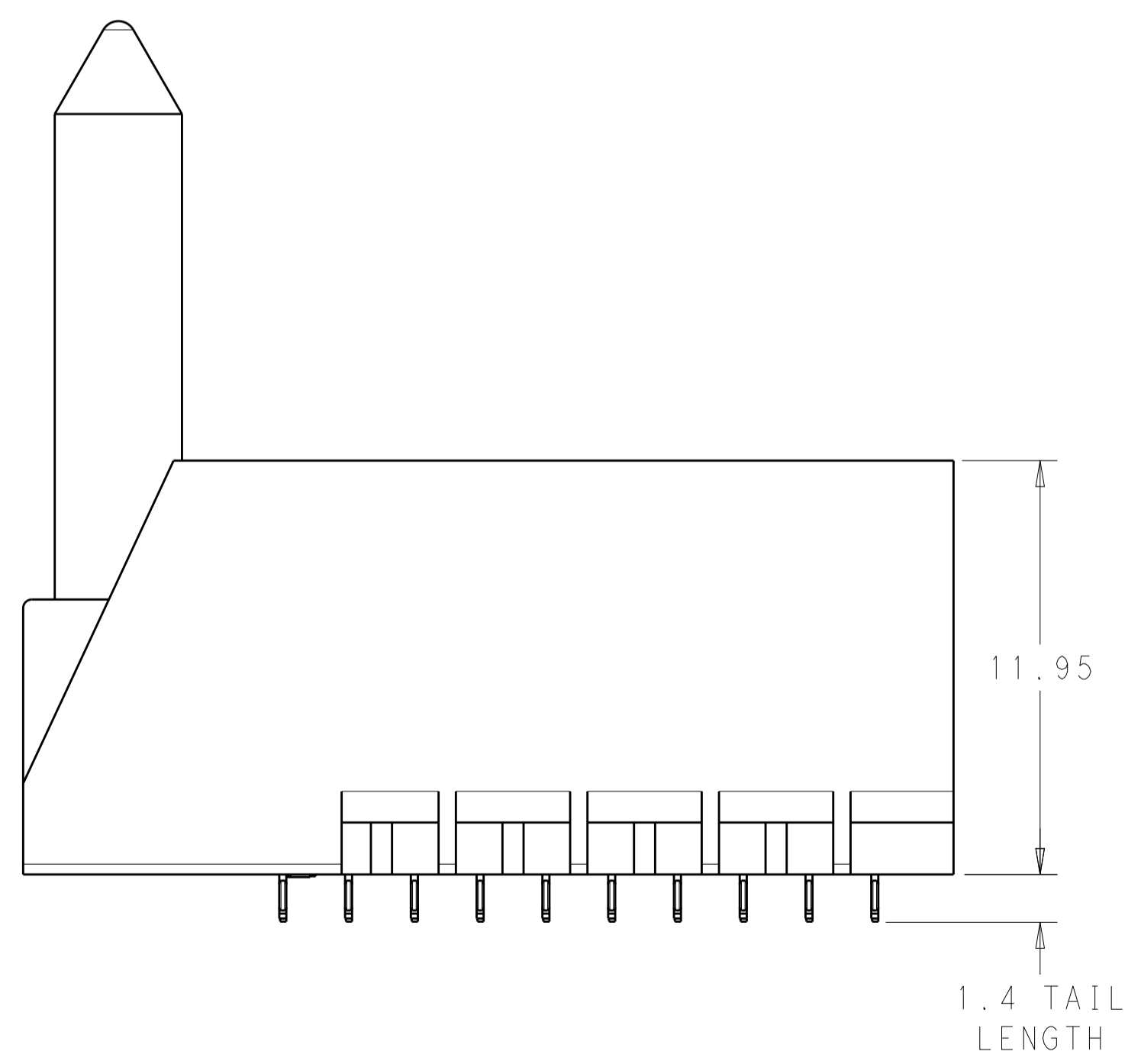
NOTCH DESIGNATES ROW A



- 1 MATERIAL:  
HOUSING: LCP, GLASS FILLED, UL94V-0.  
TERMINALS: HIGH PERFORMANCE COPPER ALLOY.
- 2 FINISH:  
30µ" MIN GOLD IN CONTACT AREA. SELECTIVE TIN ON PCB TAILS, NICKEL OVERALL.
- 3. SCREWS PACKAGED IN END OF PACKAGING TUBE.
- 4 FOR GROUNDED GUIDE PIN USE  $\varnothing 3.56 \pm 0.08$  PTH,  $\varnothing 3.66$  DRILL, AND  $\varnothing 6.5$  PAD.
- 5. KEYING PIN SHOWN IN POSITION A, SEE KEYING CHART ON SHEET 2 FOR OTHER POSITIONS.



LEFT GUIDED BACKPLANE HOLE PATTERN (CONNECTOR SIDE)



SECTION A-A

THIS DRAWING IS A CONTROLLED DOCUMENT.		OWN J. K. SHOBER 03JAN2011	TE Connectivity
DIMENSIONS: mm		CHK J. EARY 03JAN2011	
TOLERANCES UNLESS OTHERWISE SPECIFIED:		APVD J. EARY 03JAN2011	NAME IMPACT, 4 PAIR, 10 COLUMN, HEADER LEFT GUIDED, RIGHT END WALL SIGNAL MODULE, 0.46 PTH
Ø 0 PLC ±0.25		PRODUCT SPEC	
Ø 1 PLC ±0.13		APPLICATION SPEC	SIZE CAGE CODE DRAWING NO RESTRICTED TO
Ø 2 PLC ±		WEIGHT	A100779C=2007810
Ø 3 PLC ±		CUSTOMER DRAWING	SCALE 6:1 SHEET 1 OF 2 REV A1
Ø 4 PLC ±			
ANGLES ±			
FINISH SEE TABLE			

REVISIONS				
P.	LTN	DESCRIPTION	DATE	OWN APVD
-	-	SEE SHEET 1	-	-



	H	5.5	8-2007810-3
	H	4.9	8-2007810-2
	H	4.5	8-2007810-1
	G	5.5	7-2007810-3
	G	4.9	7-2007810-2
	G	4.5	7-2007810-1
	F	5.5	6-2007810-3
	F	4.9	6-2007810-2
	F	4.5	6-2007810-1
	E	5.5	5-2007810-3
	E	4.9	5-2007810-2
	E	4.5	5-2007810-1
	D	5.5	4-2007810-3
	D	4.9	4-2007810-2
	D	4.5	4-2007810-1
	C	5.5	3-2007810-3
	C	4.9	3-2007810-2
	C	4.5	3-2007810-1
	B	5.5	2-2007810-3
	B	4.9	2-2007810-2
	B	4.5	2-2007810-1
	A	5.5	1-2007810-3
	A	4.9	1-2007810-2
	A	4.5	1-2007810-1
	-	5.5	2007810-3
	-	4.9	2007810-2
	-	4.5	2007810-1
FINISH	KEY POSITION	DIM M	PART NUMBER

REFER TO WWW.TE.COM  
FOR PRODUCT AVAILABILITY

THIS DRAWING IS A CONTROLLED DOCUMENT.		OWN: J. K. SHOBER 03JAN2011	<b>TE</b> Connectivity
DIMENSIONS: mm		CHK: J. EARY 03JAN2011	
TOLERANCES UNLESS OTHERWISE SPECIFIED:		APVD: J. EARY 03JAN2011	<b>IMPACT, 4 PAIR, 10 COLUMN, HEADER LEFT GUIDED, RIGHT END WALL SIGNAL MODULE, 0.46 PTH</b>
0 PLC ±0.25		PRODUCT SPEC	
2 PLC ±0.13		APPLICATION SPEC	
3 PLC ±0.13		WEIGHT	
4 PLC ±0.13		ANGLE	SIZE: A1
FINISH: SEE TABLE		CUSTOMER DRAWING	SCALE: 5:1
MATERIAL: -		RESTRICTED TO: -	SHEET: 2 OF 2
REVISIONS: -		REV: A1	DRAWING NO: 00779C=2007810