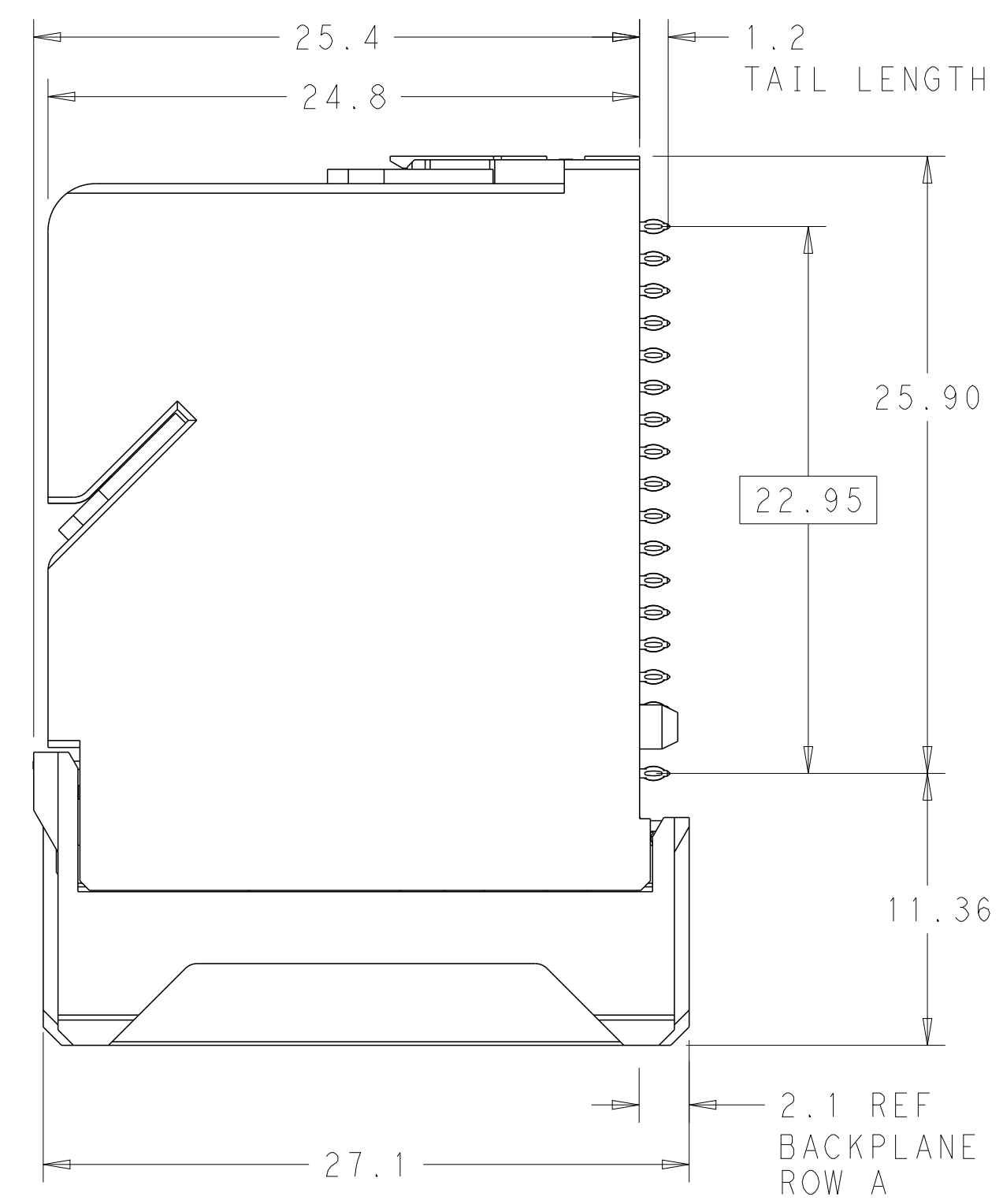
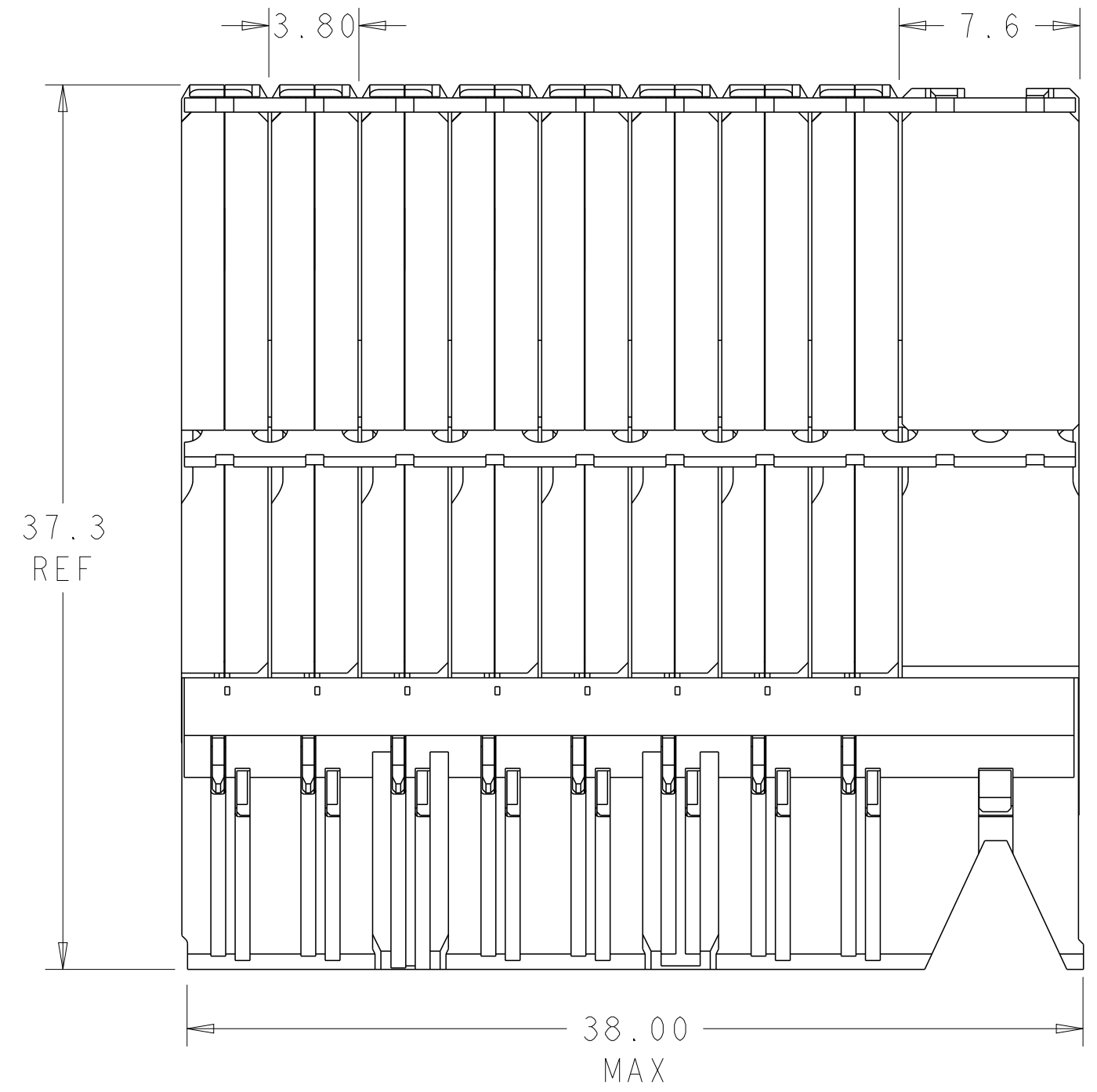
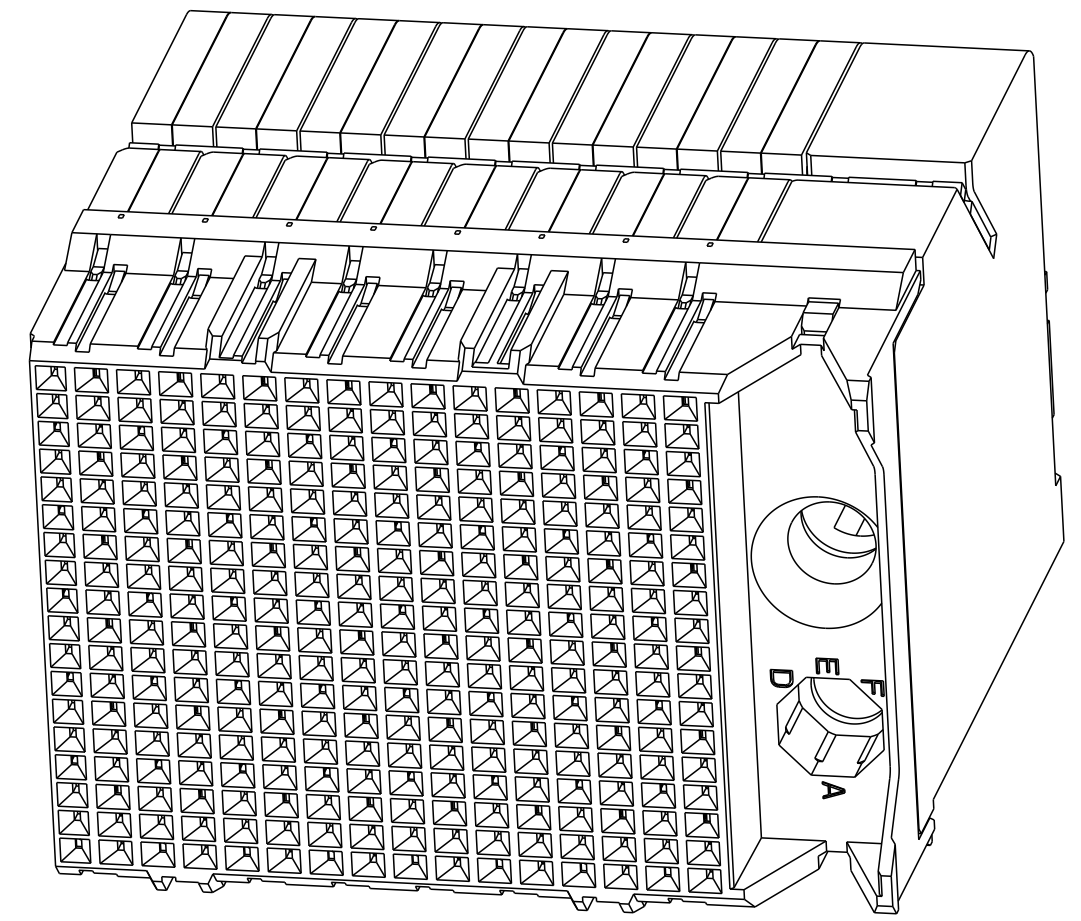


REVISIONS				
P.	LTN.	DESCRIPTION	DATE	OWN. APVD.
E		REVISED PER ECO-15-012351	03SEP2015	AP SY

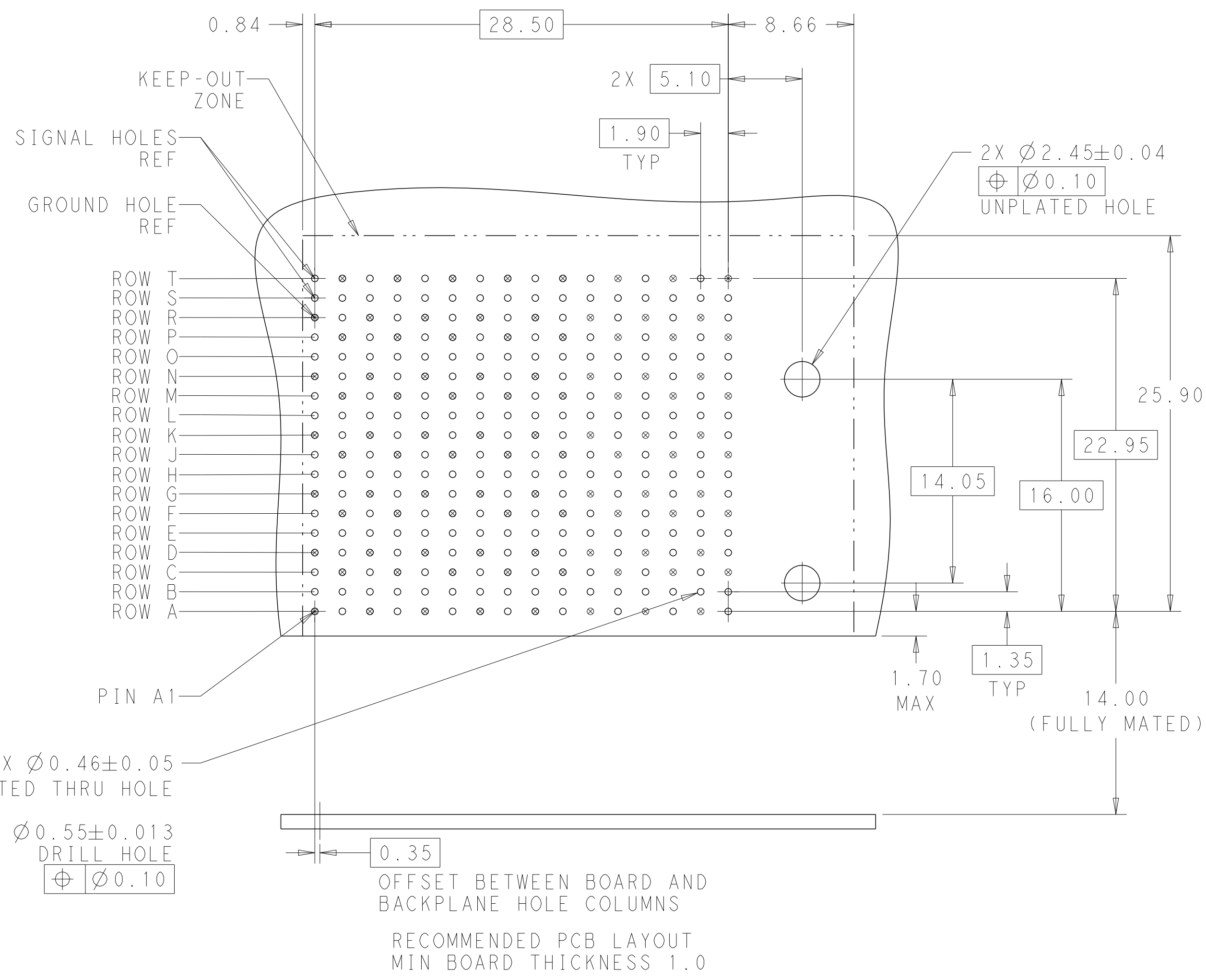
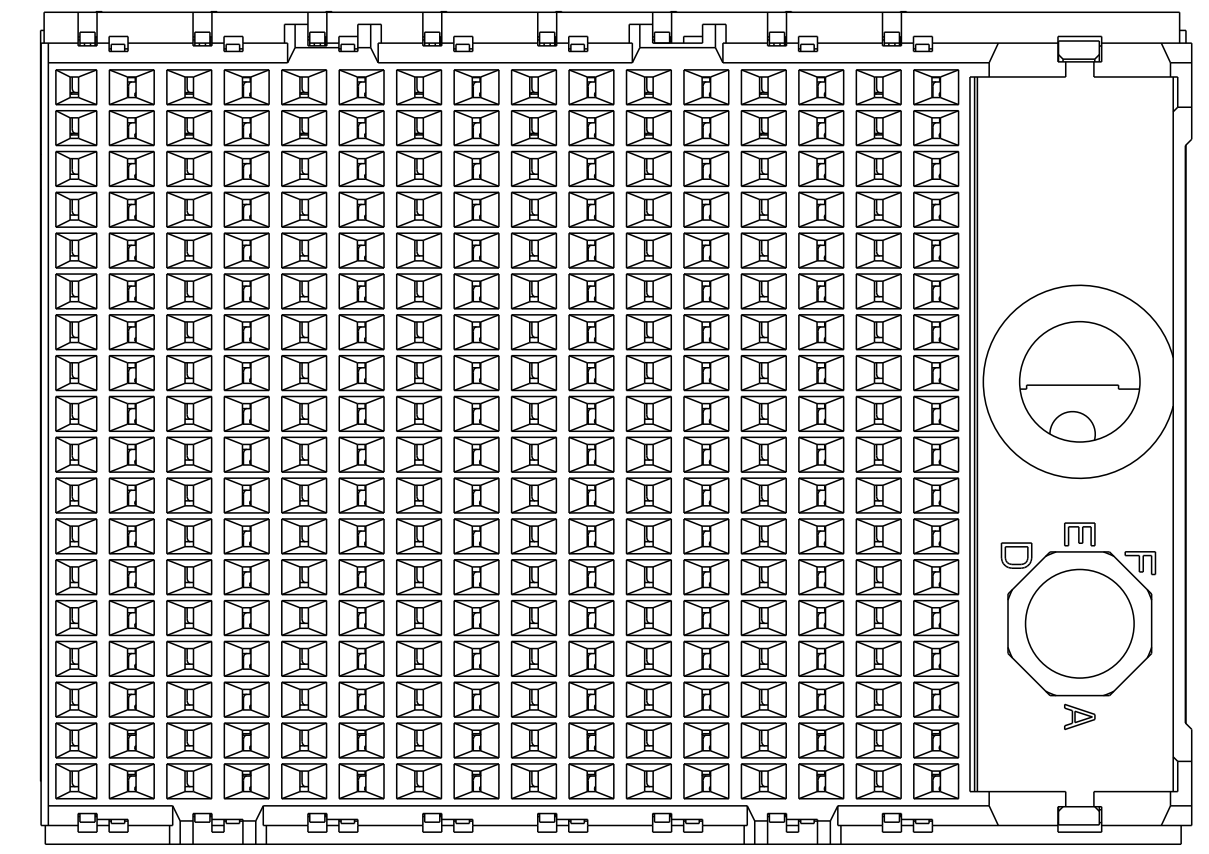


- MATERIAL:  
HOUSING: LCP, GLASS FILLED, UL94V-0.  
TERMINALS: HIGH PERFORMANCE COPPER ALLOY.
- FINISH:  
30µ" SELECTIVE GOLD IN CONTACT AREA. SELECTIVE TIN ON PCB TAILS, NICKEL OVERALL.
- CONNECTORS SUPPLIED WITH MOUNTING SCREWS.



SCALE 3:1

REFER TO WWW.TE.COM FOR PRODUCT AVAILABILITY



**KEY POSITION CHART**

NONE	
A	E
B	F
C	G
D	H

KEY POSITION	FINISH	PART NUMBER
H	△	8-2007743-1
G	△	7-2007743-1
F	△	6-2007743-1
E	△	5-2007743-1
D	△	4-2007743-1
B	△	2-2007743-1
A	△	1-2007743-1
NONE	△	2007743-1

THIS DRAWING IS A CONTROLLED DOCUMENT.

DIMENSIONS:	TOLERANCES UNLESS OTHERWISE SPECIFIED:	OWN. J. K. SHOBER 04MAR2011	NAME
mm	0 PLC ±0.2	CHK D. DIXON 04MAR2011	IMPACT, 6 PAIR, DAUGHTERCARD
	1 PLC ±0.13	APVD D. DIXON 04MAR2011	16 COLUMN, RIGHT GUIDED, SIGNAL
	2 PLC ±0.1		MODULE, 0.46 EYELET
	3 PLC ±0.1		
	4 PLC ±0.1		
	ANGLES ±0.1		
MATERIAL	FINISH	WEIGHT	SIZE CAGE CODE DRAWING NO RESTRICTED TO
	SEE TABLE		A100779C=2007743
		Customer Drawing	SCALE 4:1 SHEET 1 OF 1 REV E