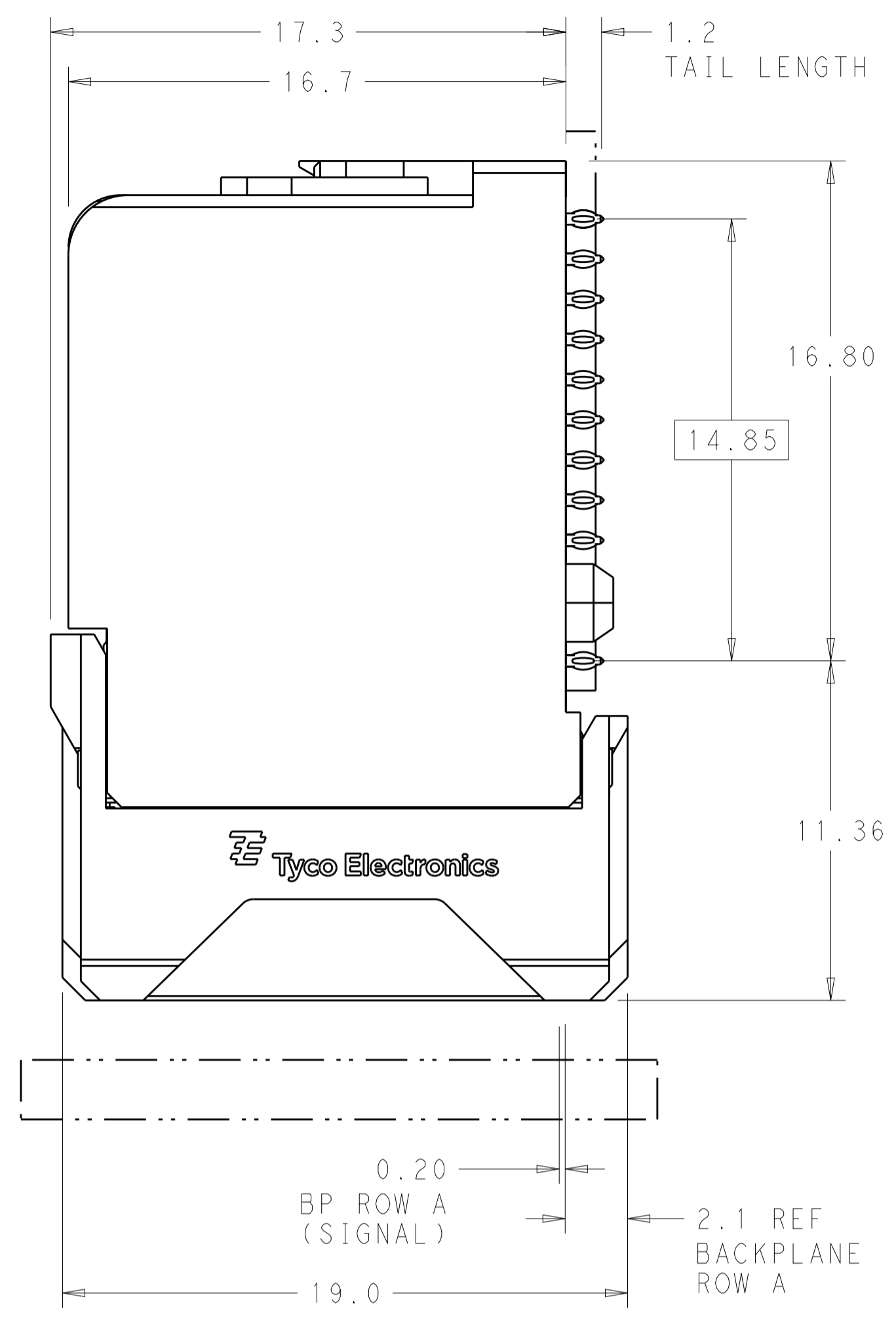
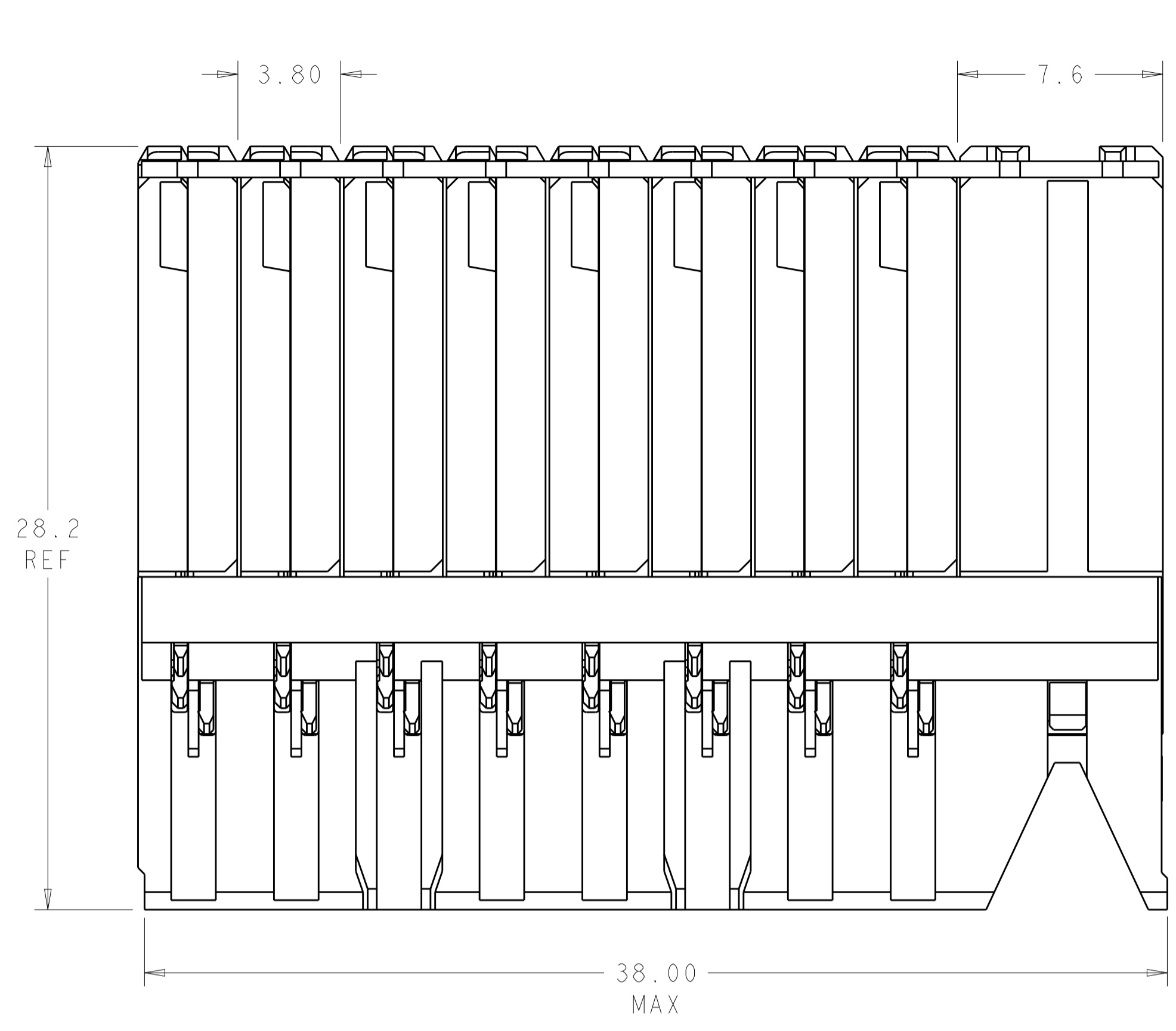


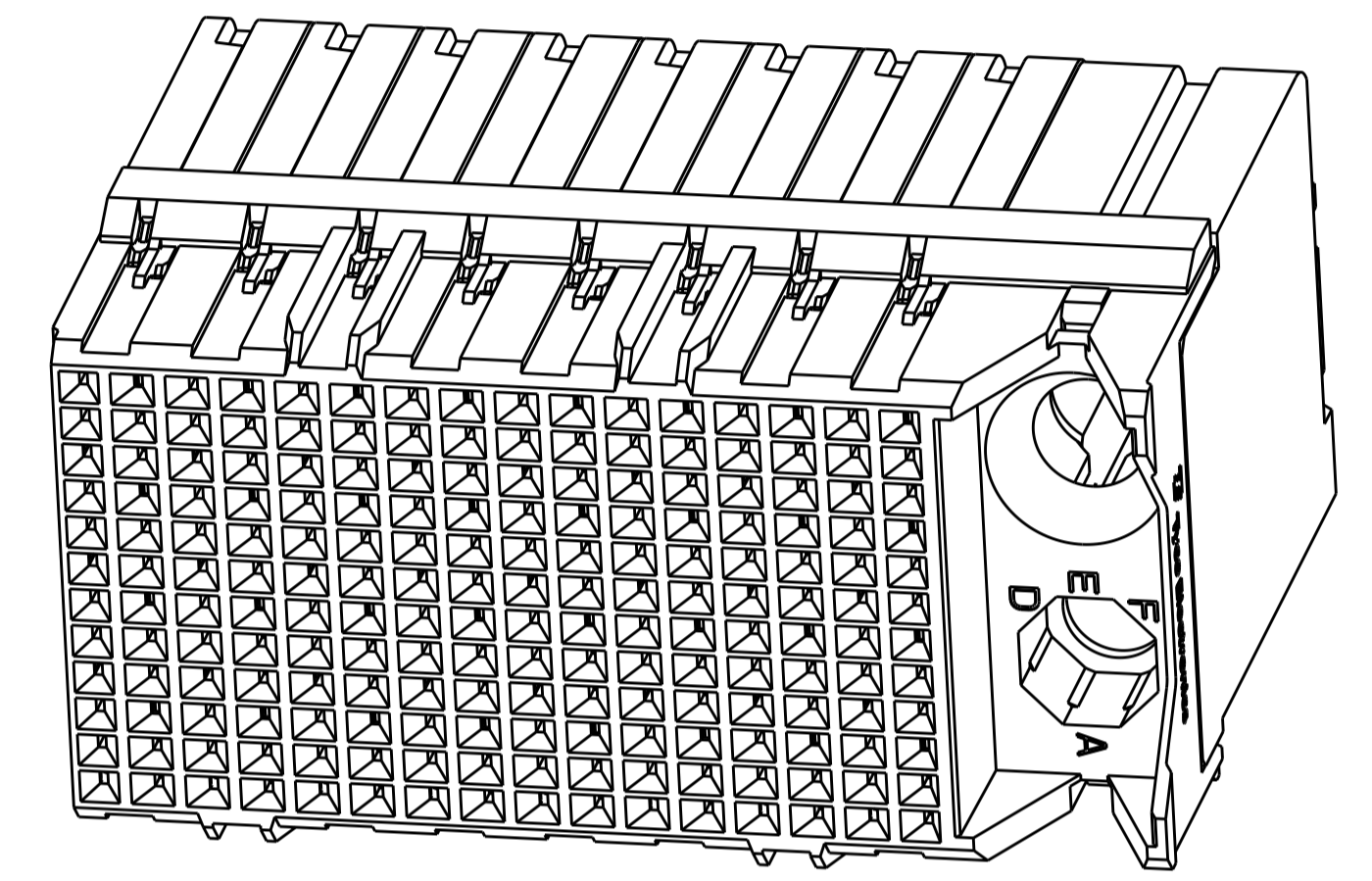
LOC		DIST		REVISIONS			
P	LTN	DESCRIPTION	DATE	DWN	APVD		
B1		REVISED PER ECO-14-018036	17FEB2015	AP	DD		



⚠ MATERIAL:
HOUSING: LCP, GLASS FILLED, UL94V-0.
TERMINALS: HIGH PERFORMANCE COPPER ALLOY.

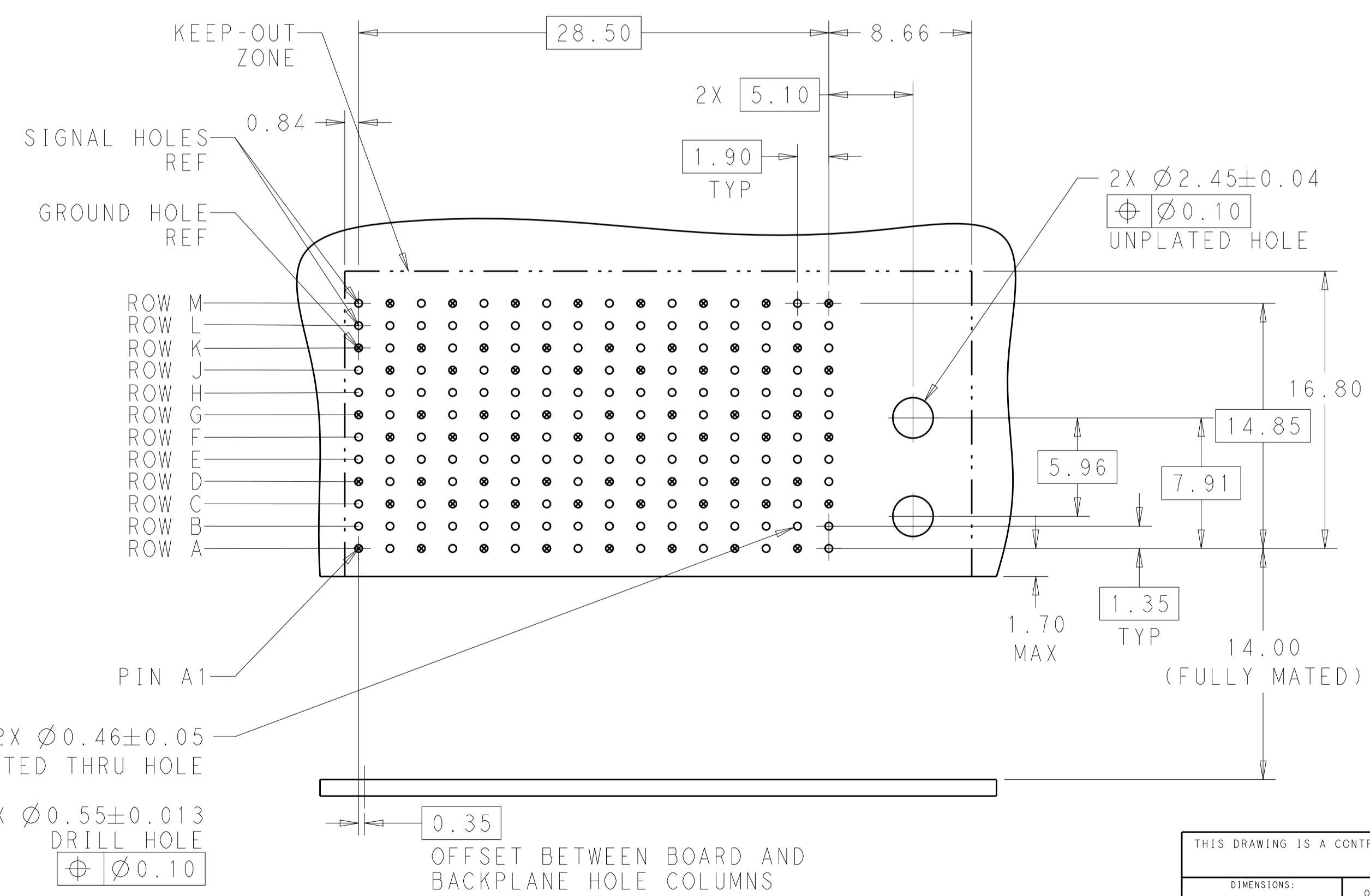
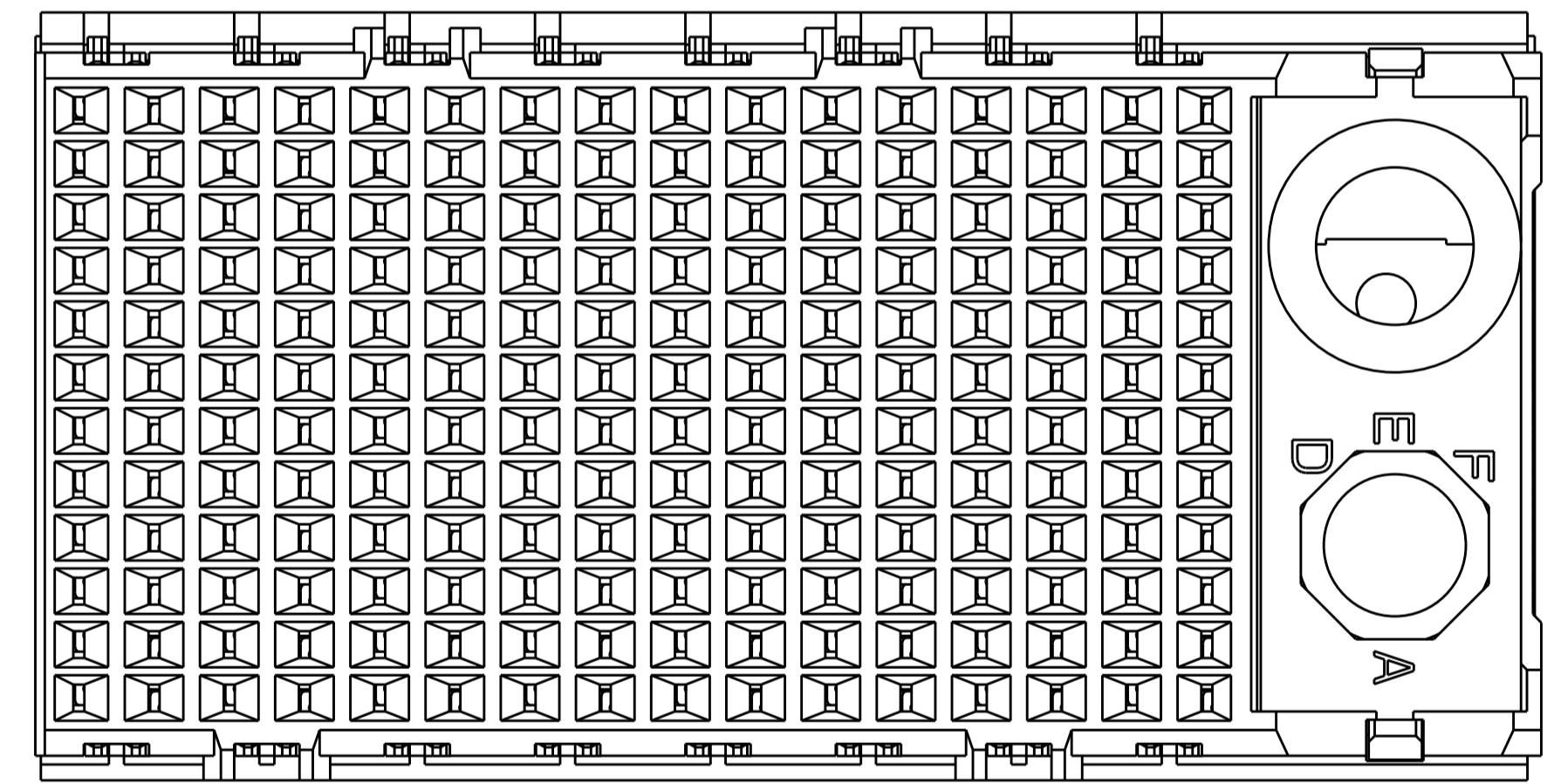
⚠ FINISH:
30µ" SELECTIVE GOLD IN CONTACT AREA. SELECTIVE TIN ON PCB TAILS, NICKEL OVERALL.

3. CONNECTORS SUPPLIED WITH MOUNTING SCREWS.



SCALE 4:1

REFER TO WWW.TE.COM FOR PRODUCT AVAILABILITY



KEY POSITION CHART	
	NONE
	A
	B
	C
	D
	E
	F
	G
	H

192X Ø0.46±0.05 PLATED THRU HOLE

192X Ø0.55±0.013 DRILL HOLE
⊕ Ø0.10

RECOMMENDED PCB LAYOUT
MIN BOARD THICKNESS 1.0

KEY POSITION	FINISH	PART NUMBER
H	⚠	8-2007719-1
G	⚠	7-2007719-1
F	⚠	6-2007719-1
E	⚠	5-2007719-1
D	⚠	4-2007719-1
C	⚠	3-2007719-1
B	⚠	2-2007719-1
A	⚠	1-2007719-1
NONE	⚠	2007719-1

THIS DRAWING IS A CONTROLLED DOCUMENT.

DIMENSIONS: mm

TOLERANCES UNLESS OTHERWISE SPECIFIED:

0 PLC	±
1 PLC	±0.2
2 PLC	±0.13
3 PLC	±
4 PLC	±
ANGLES	±

MATERIAL: SEE TABLE

FINISH: SEE TABLE

THIS DRAWING IS A CONTROLLED DOCUMENT. DWN: 18MAY2011, CHK: D. DIXON, APVD: D. DIXON, 18MAY2011

NAME: IMPACT, 4 PAIR, DAUGHTERCARD 16 COLUMN, RIGHT GUIDED, SIGNAL MODULE, 0.46 EYELET

SIZE: A1, CAGE CODE: 2007719, DRAWING NO: 2007719, WEIGHT: -

CUSTOMER DRAWING

SCALE: 6:1, SHEET: 1 OF 1, REV: B1