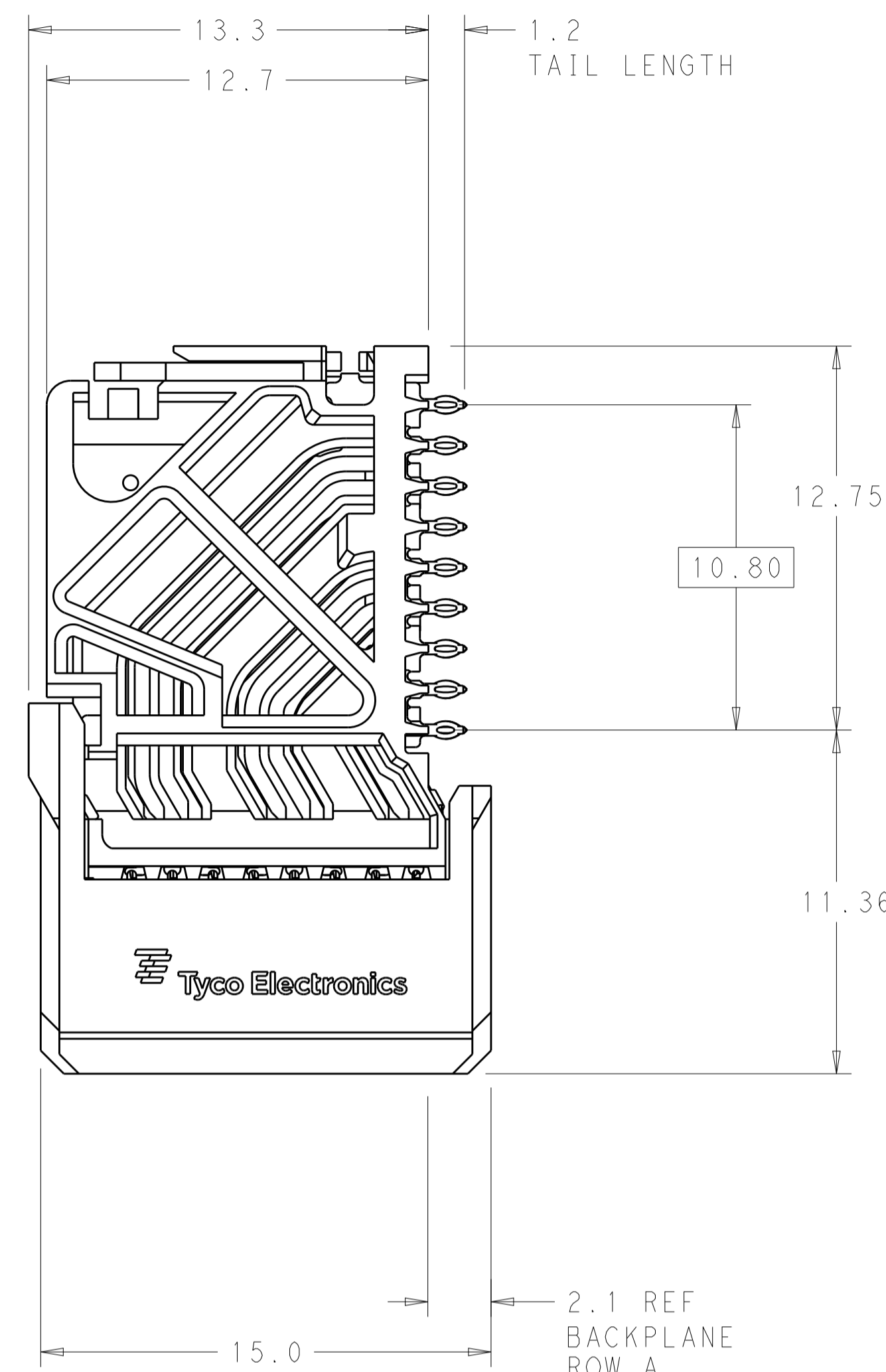
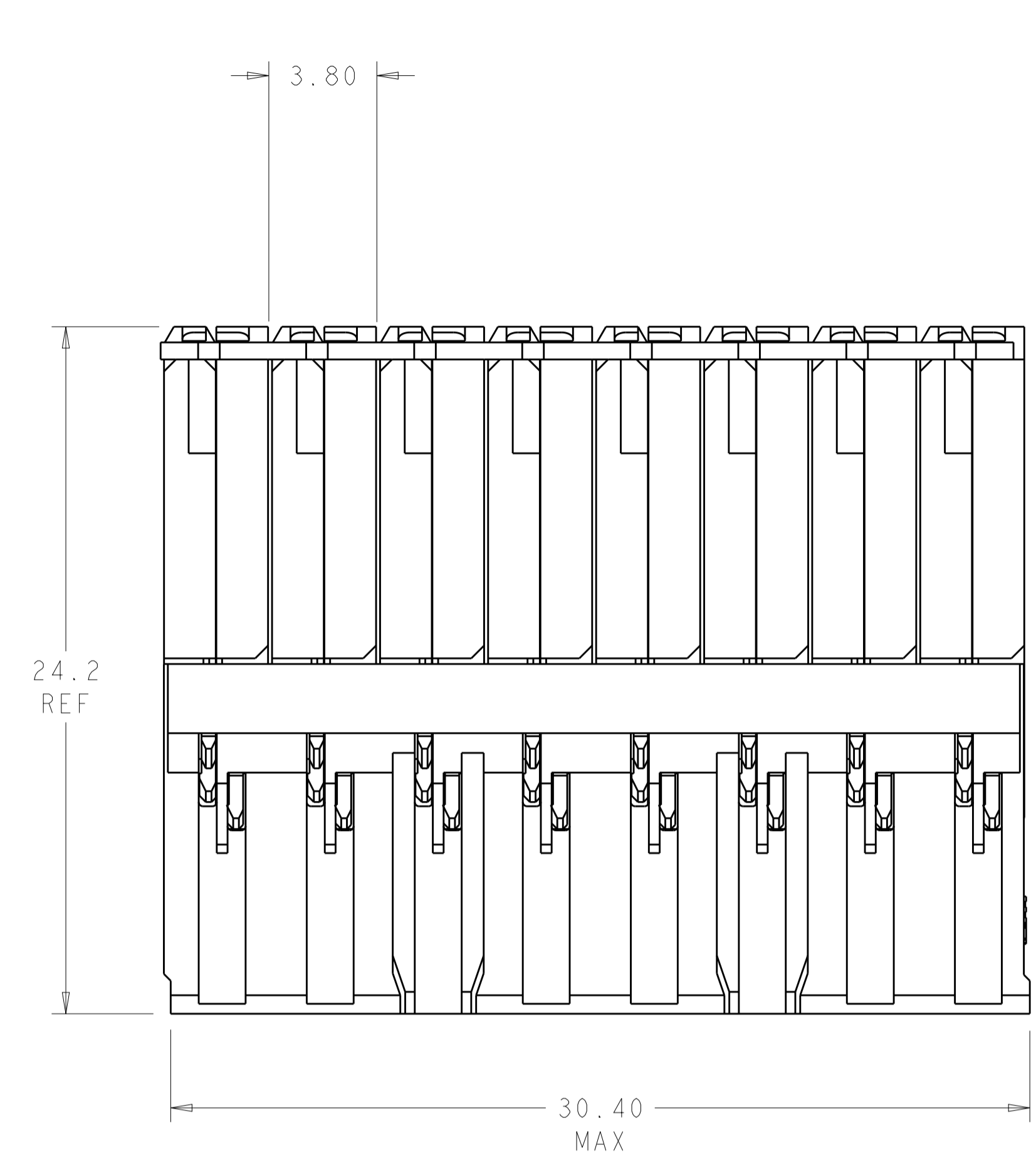
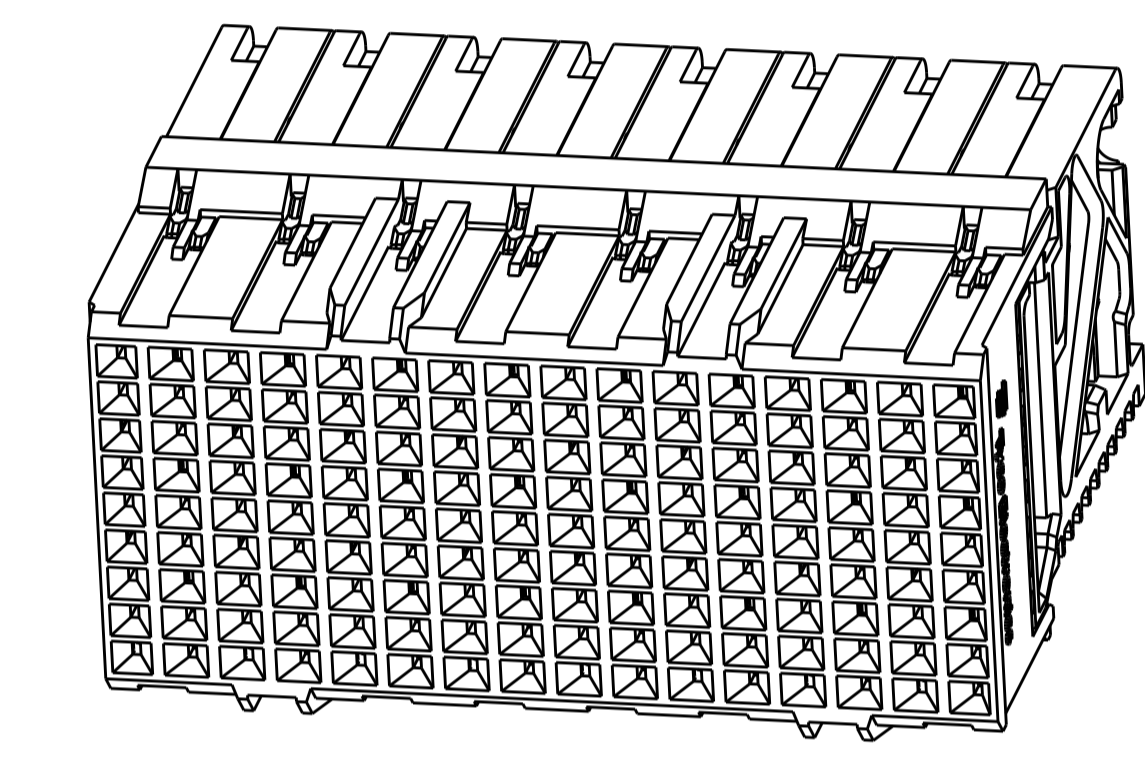


LOC		DIST		REVISIONS			
AD	00	P	LTN	DESCRIPTION	DATE	DWN	APVD
		C1		REVISED PER ECO-14-018035	11MAR2015	AP	DD



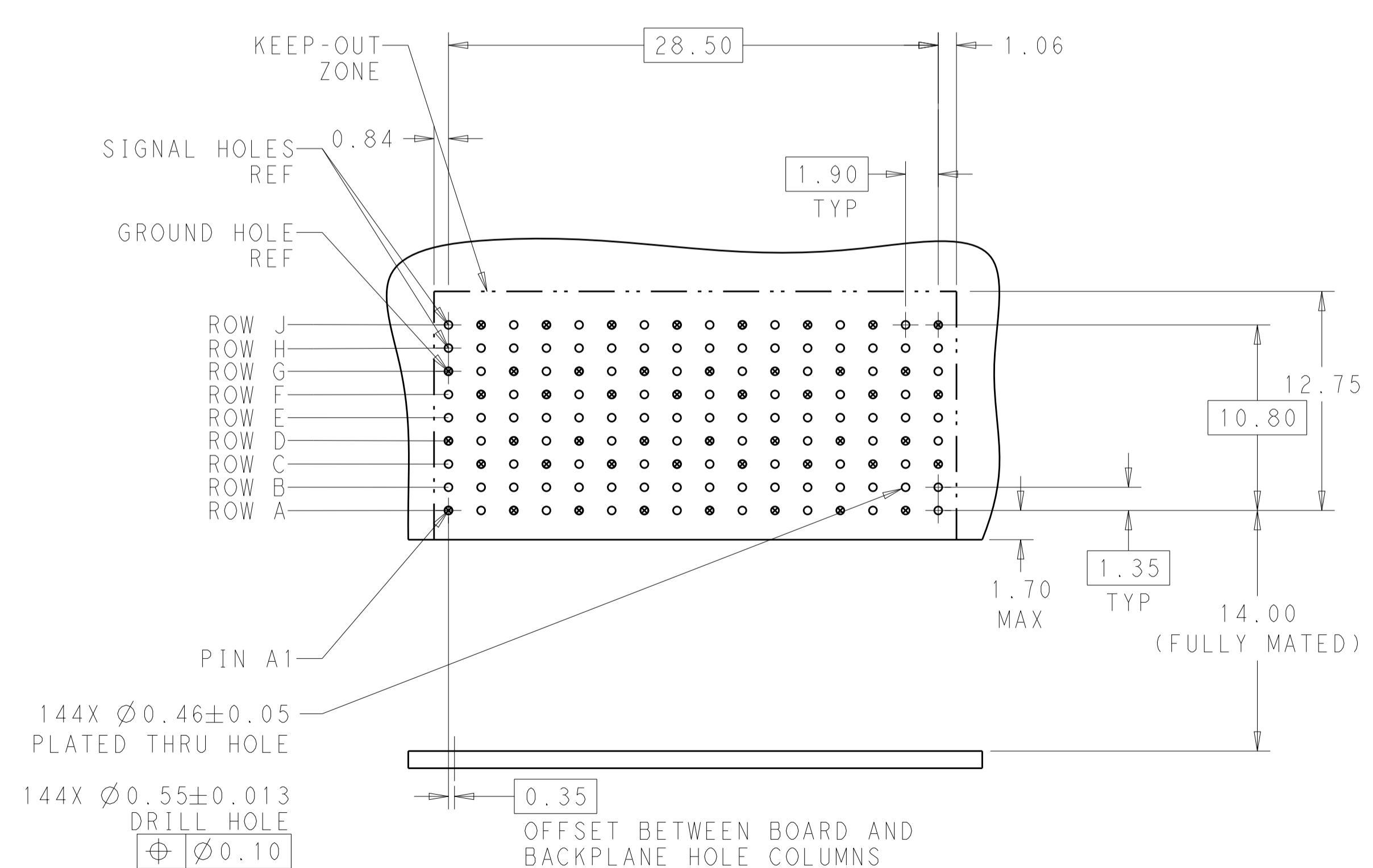
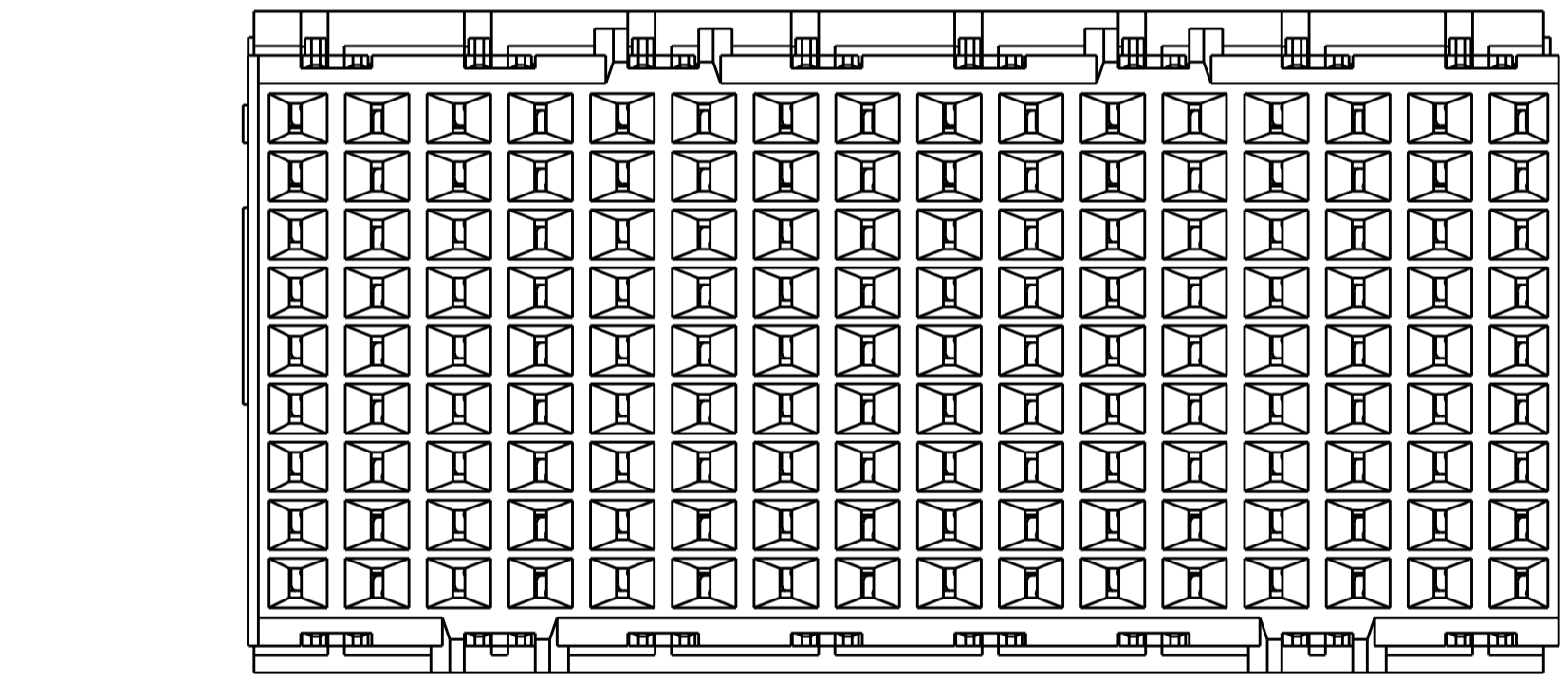
⚠ MATERIAL:  
 HOUSING: LCP, GLASS FILLED, UL94V-0.  
 TERMINALS: HIGH PERFORMANCE COPPER ALLOY.

⚠ FINISH:  
 30µ" SELECTIVE GOLD IN CONTACT AREA. SELECTIVE TIN  
 ON PCB TAILS, NICKEL OVERALL.



SCALE 4:1

REFER TO WWW.TE.COM  
 FOR PRODUCT AVAILABILITY



144X  $\varnothing 0.46 \pm 0.05$   
 PLATED THRU HOLE

144X  $\varnothing 0.55 \pm 0.013$   
 DRILL HOLE

$\varnothing 0.10$

RECOMMENDED PCB LAYOUT  
 MIN BOARD THICKNESS 1.0

NONE	⚠	2007708-1
KEY POSITION	FINISH	PART NUMBER
<b>TE</b> TE Connectivity		
DWN: B. CARBO 05JAN2011 CHK: D. DIXON 05JAN2011 APVD: D. DIXON 05JAN2011		NAME: IMPACT, 3 PAIR, DAUGHTERCARD 16 COLUMN, UNGUIDED, SIGNAL MODULE, 0.46 EYELET
DIMENSIONS: mm TOLERANCES UNLESS OTHERWISE SPECIFIED: 0 PLC ± 1 PLC ±0.2 2 PLC ±0.13 3 PLC ± 4 PLC ± ANGLES ±		RESTRICTED TO: -
MATERIAL: SEE TABLE FINISH: SEE TABLE		WEIGHT: - SIZE: A1 CAGE CODE: - DRAWING NO: 2007708 CUSTOMER DRAWING
SCALE: 6:1		SHEET 1 OF 1 REV: C1