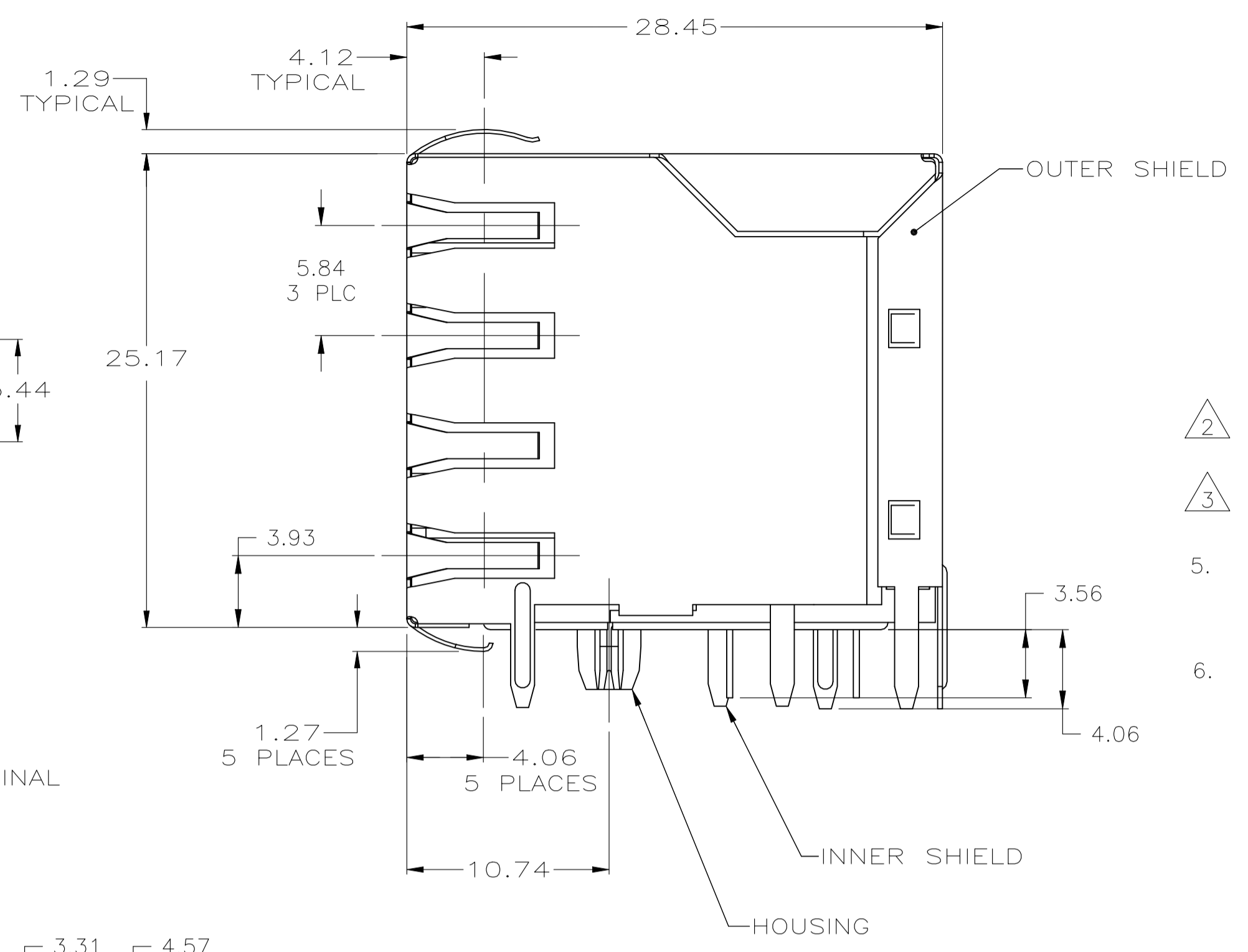
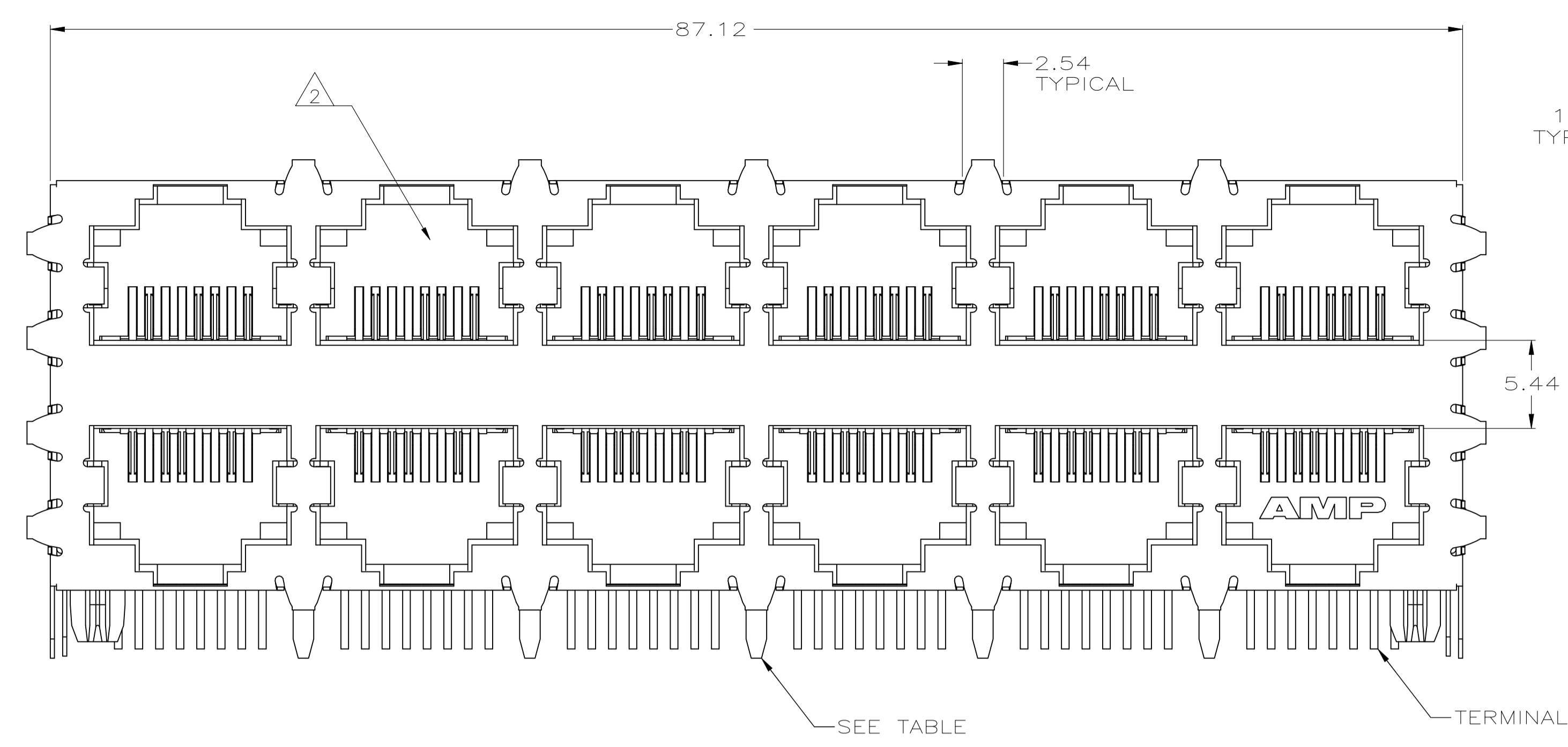
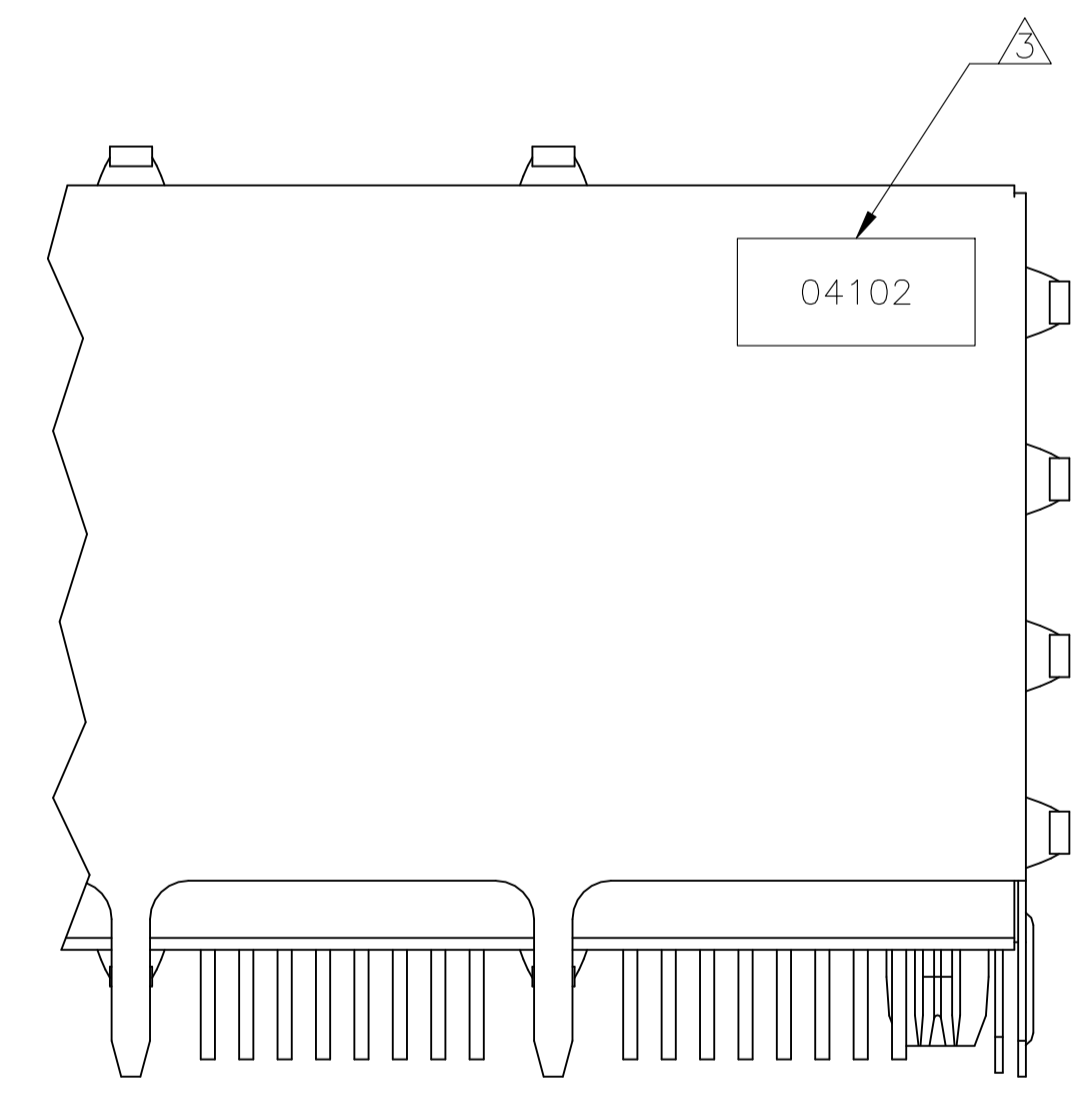
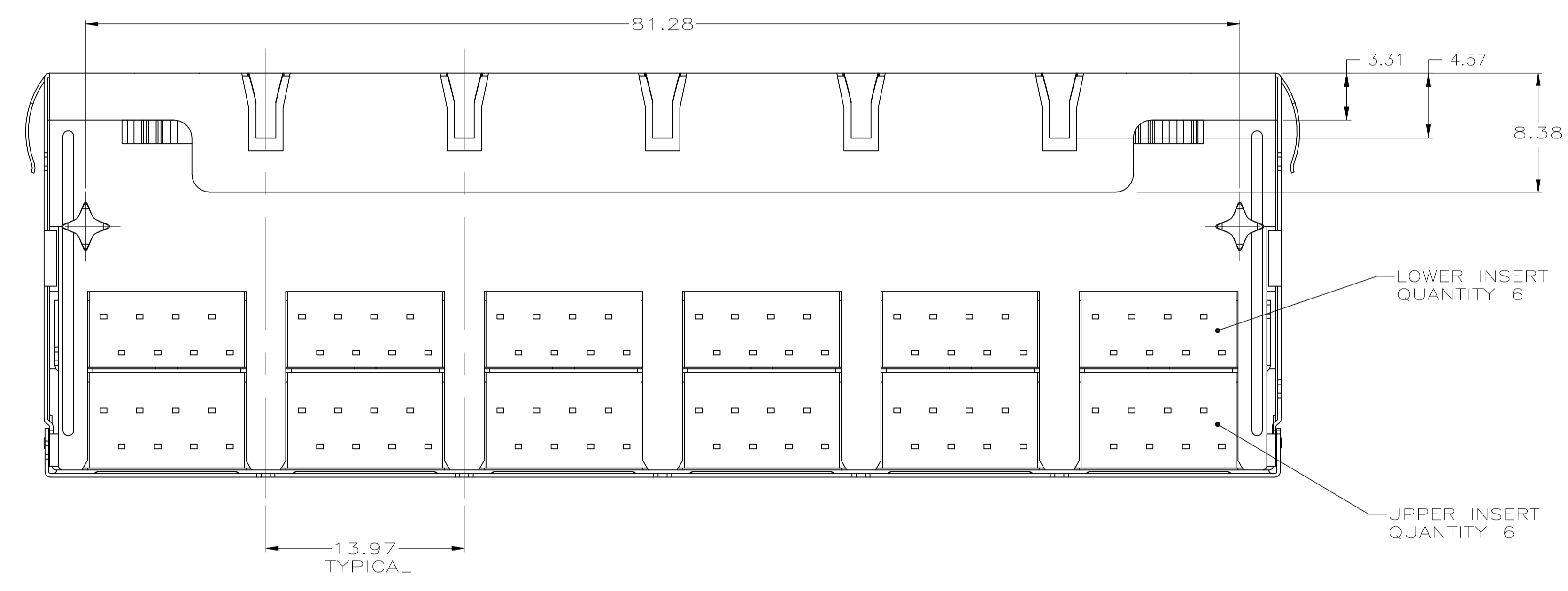


REVISIONS					
P	LTR	DESCRIPTION	DATE	DRN	APVD
B3		REVISED AS PER ECR-23-169440	25APR2023	JK	WH



- MATERIAL:
HOUSING - PCT POLYESTER, BLACK, UL94V-0.
OVERMOLDED TERMINAL ARRAY - HIGH TEMPERATURE NYLON, COLOR: NATURAL
TERMINALS - 0.33 [.013] THICK PHOS BRONZE PLATED WITH 1.27um [.000050] MIN THICK HARD GOLD IN LOCALIZED AREA AND 3.81um [.000150] MIN THICK MATTE TIN IN SOLDER AREA OVER 1.27um [.000050] MIN THICK NICKEL UNDERPLATE.
OUTER SHIELD AND INNER SHIELD - 0.196[.0077] THICK COPPER ALLOY PLATED WITH 1.27um[.000050] MIN NICKEL. PCB GROUND TABS DIPPED WITH 2.03um [.000080] MIN TIN
- JACK CAVITY CONFORMS TO FCC RULES AND REGULATIONS, PART 68 SUBPART F.
- DATE CODE LOCATED ON REAR OF PART APPROXIMATELY AS SHOWN:
- FIRST 2 DIGITS ARE LAST 2 DIGITS OF YEAR, SECOND 2 DIGITS ARE MANUFACTURING WORK WEEK, LAST DIGIT IS DAY OF WEEK, WITH SUNDAY = 1.
- PARTS PACKAGED IN SEALED BAGS WITH DESICCANT
- PARTS SUITABLE FOR LEAD FREE REFLOW PROCESSING TO 260° C

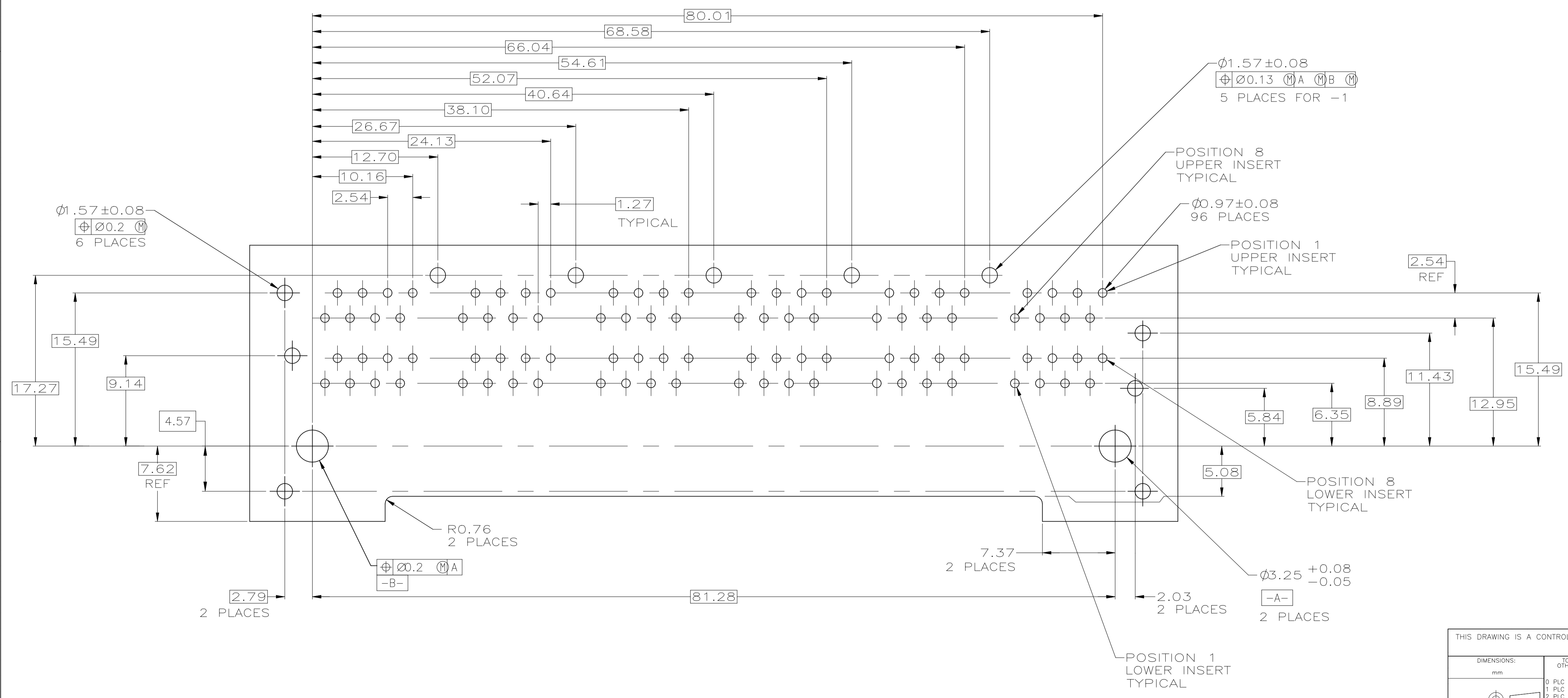
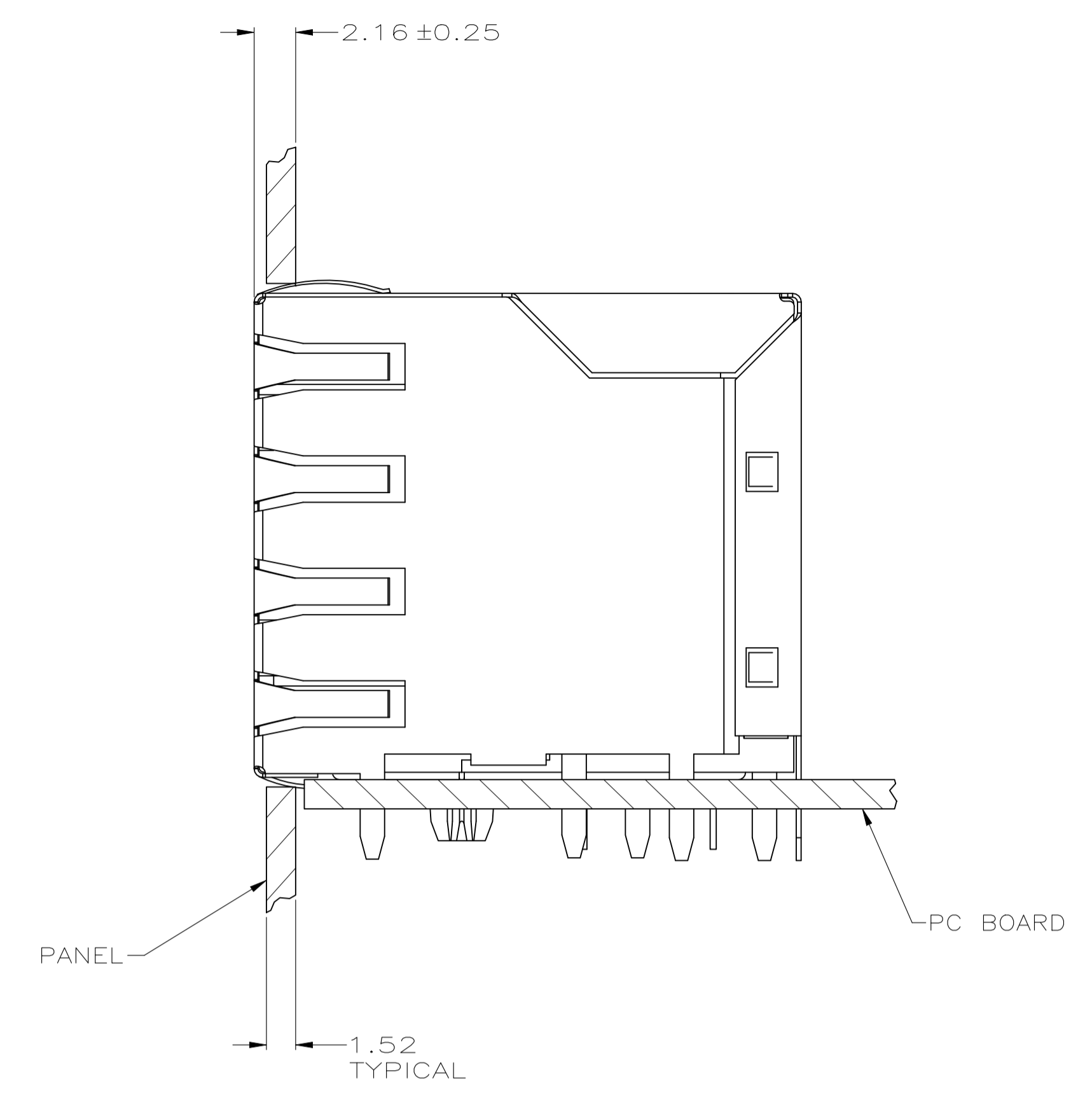
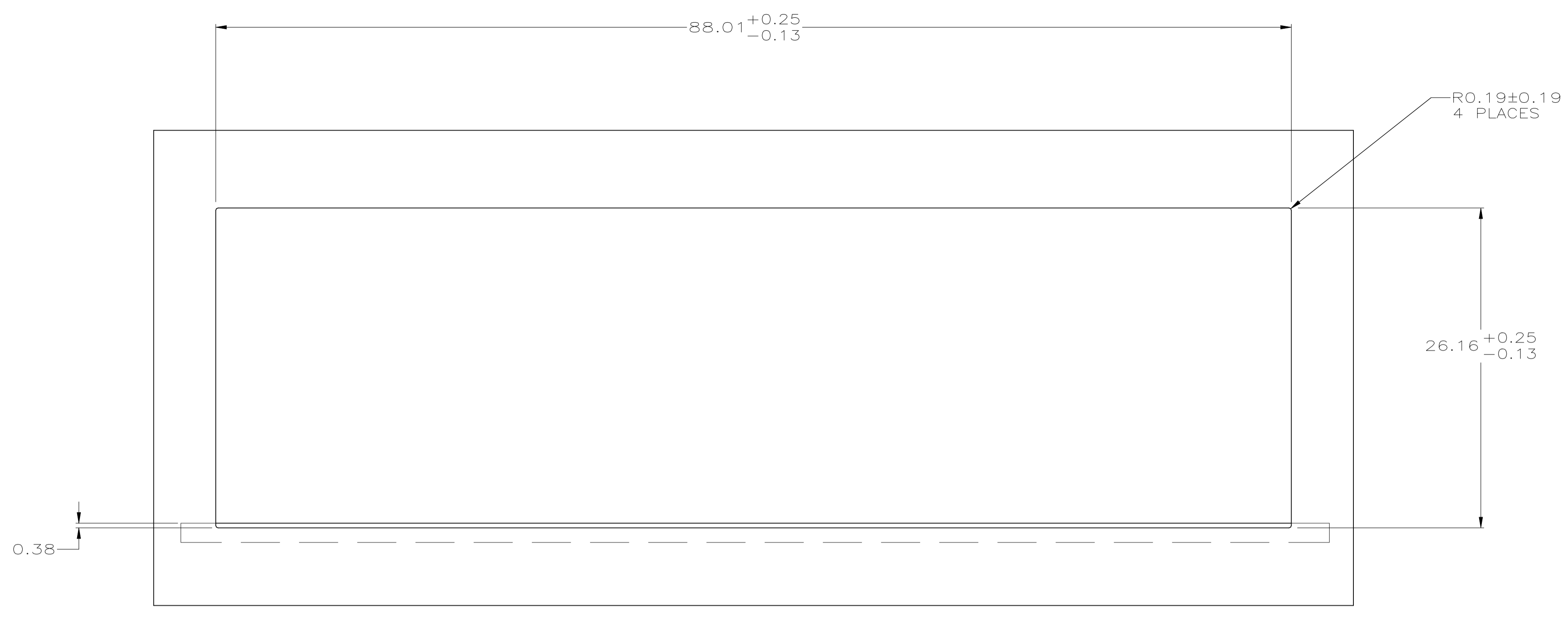


PARTIAL REAR VIEW

2007023-1
PART NUMBER

THIS DRAWING IS A CONTROLLED DOCUMENT.		DIN L. VARELA - DOCKS 08JUN2005	TE Connectivity Ltd.	
DIMENSIONS: mm		CHK J. WESTMAN 08JUN2005	NAME	
TOLERANCES UNLESS OTHERWISE SPECIFIED: 0. PLC ± - 1. PLC ± - 2. PLC ± 0.13 3. PLC ± - 4. PLC ANGLES ± -		APVD S. FLICKINGER 08JUN2005	STACKED MODULAR JACK ASSEMBLY, 2x6 PORT, RJ45, SHIELDED, WAVE PANEL GROUNDS, CAT 5/GIGABIT ETHERNET	
MATERIAL SEE NOTE 1		FINISH SEE NOTE 1	PRODUCT SPEC 108-1163-2 APPLICATION SPEC 114-2048	SIZE A1 WEIGHT - SCALE 4:1
CUSTOMER DRAWING		DRAWING NO 00779	DRAWING NO 2007023	RESTRICTED TO SHEET 1 of 2 REV B3

REVISIONS				
REV	DATE	BY	APP'D	DESCRIPTION
-	-	-	-	SEE SHEET 1



THIS DRAWING IS A CONTROLLED DOCUMENT.		DIN L. VARELA - DOCKS 08JUN2005	TE Connectivity Ltd.
DIMENSIONS: mm		CHK J. WESTMAN 08JUN2005	
TOLERANCES UNLESS OTHERWISE SPECIFIED:		APP'D S. FLICKINGER 08JUN2005	NAME
0. PLC ± -			STACKED MODULAR JACK ASSY,
1. PLC ± -			2x6 PORT, RJ45, SHIELDED,
2. PLC ± 0.13			CAT5
3. PLC ± -			SIZE
4. PLC ± -			CAGE CODE
ANGLES ± -			DRAWING NO
			RESTRICTED TO
MATERIAL SEE NOTE 1	FINISH SEE NOTE 1	WEIGHT 0	A1 00779 C=2007023
CUSTOMER DRAWING		SCALE 4:1	SHEET 2 OF 2 REV B3