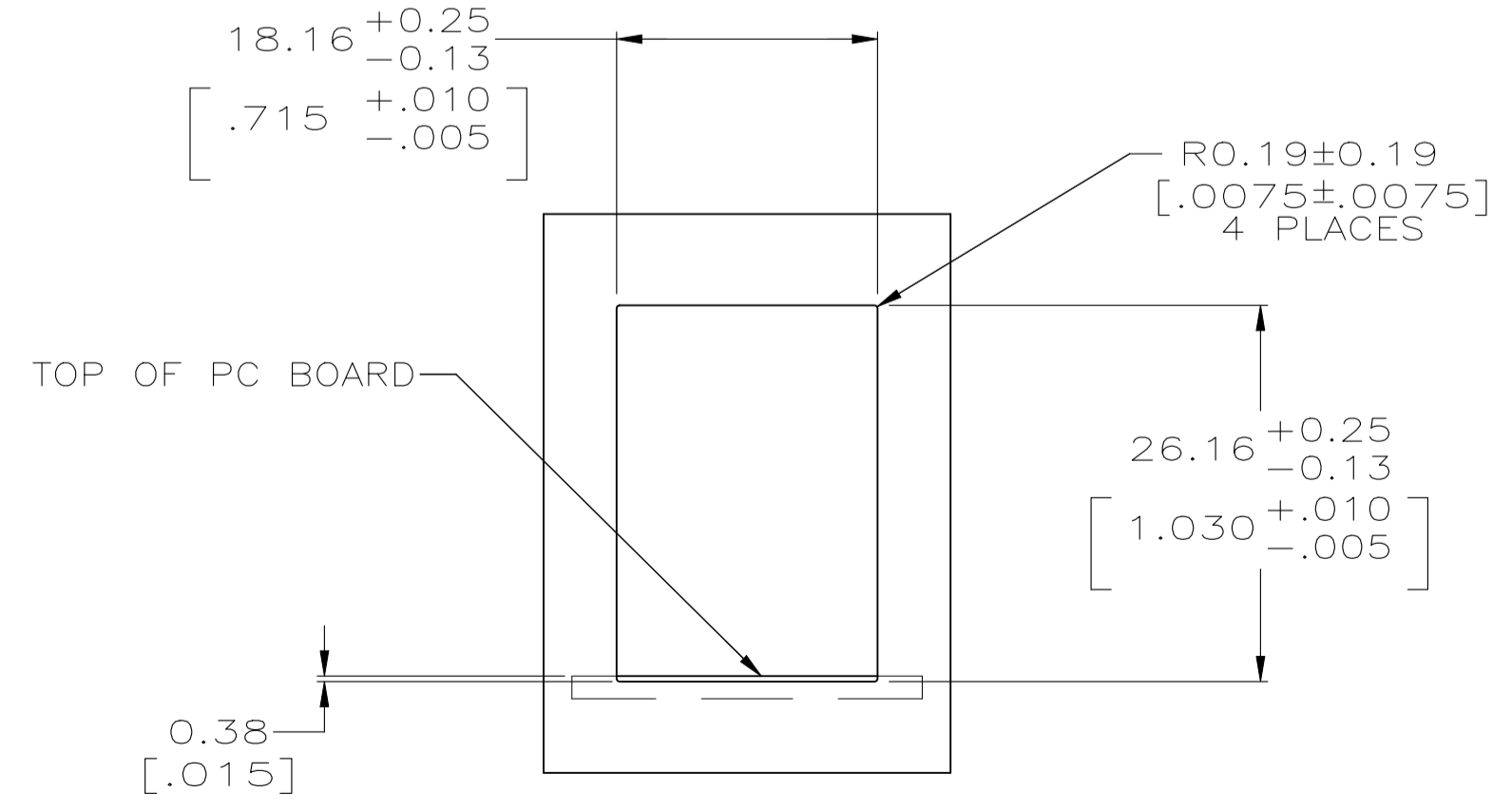
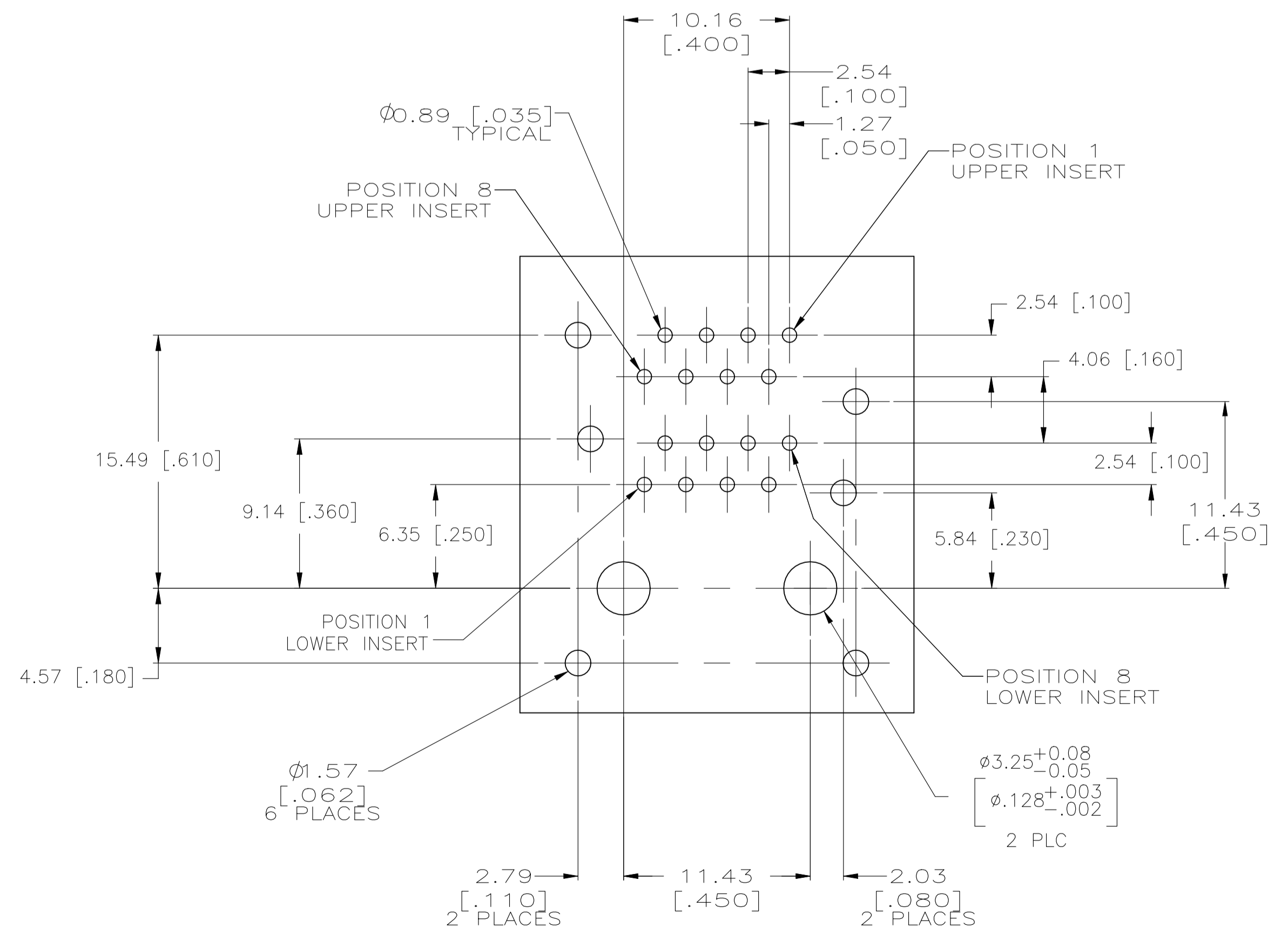
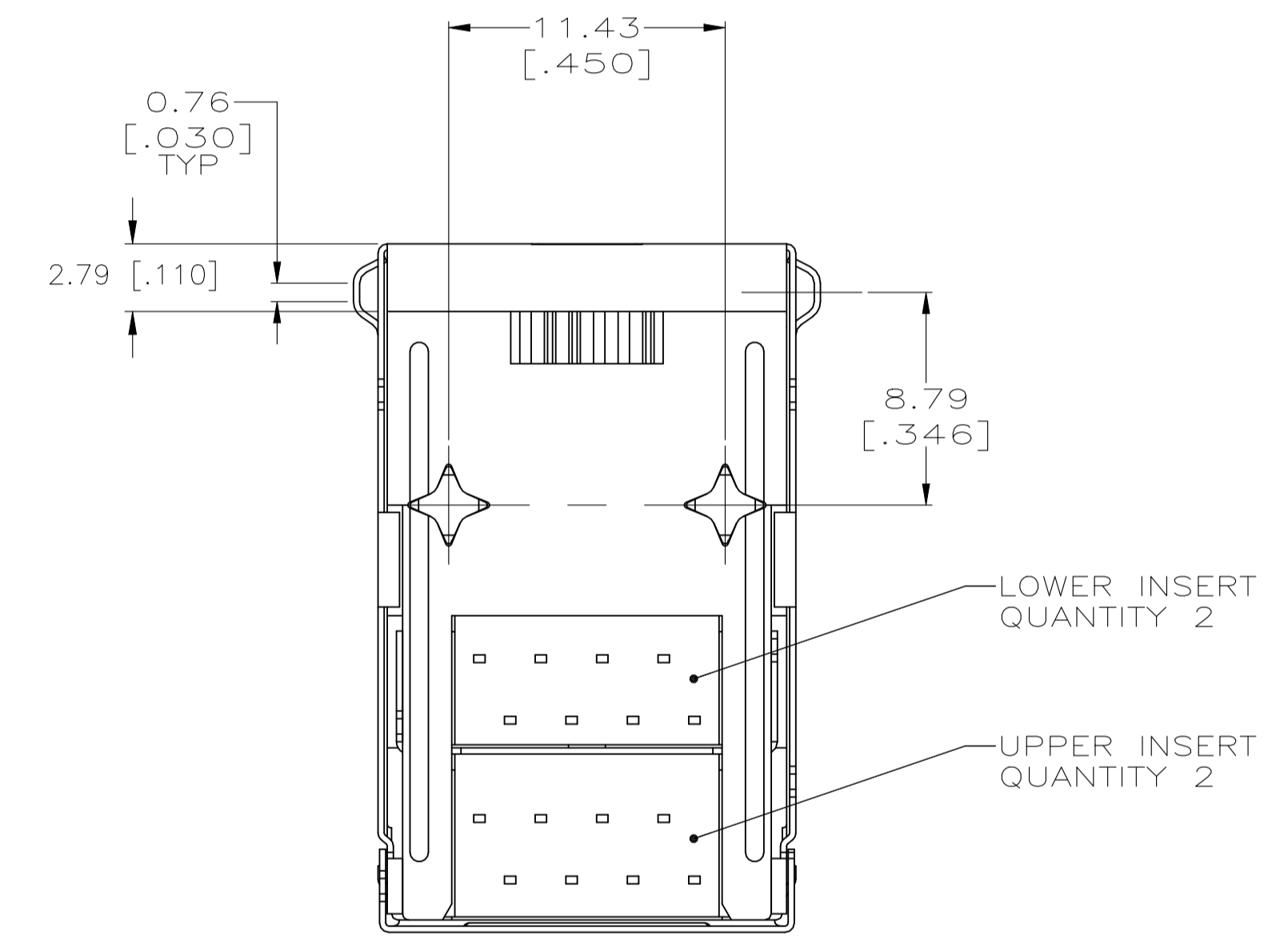
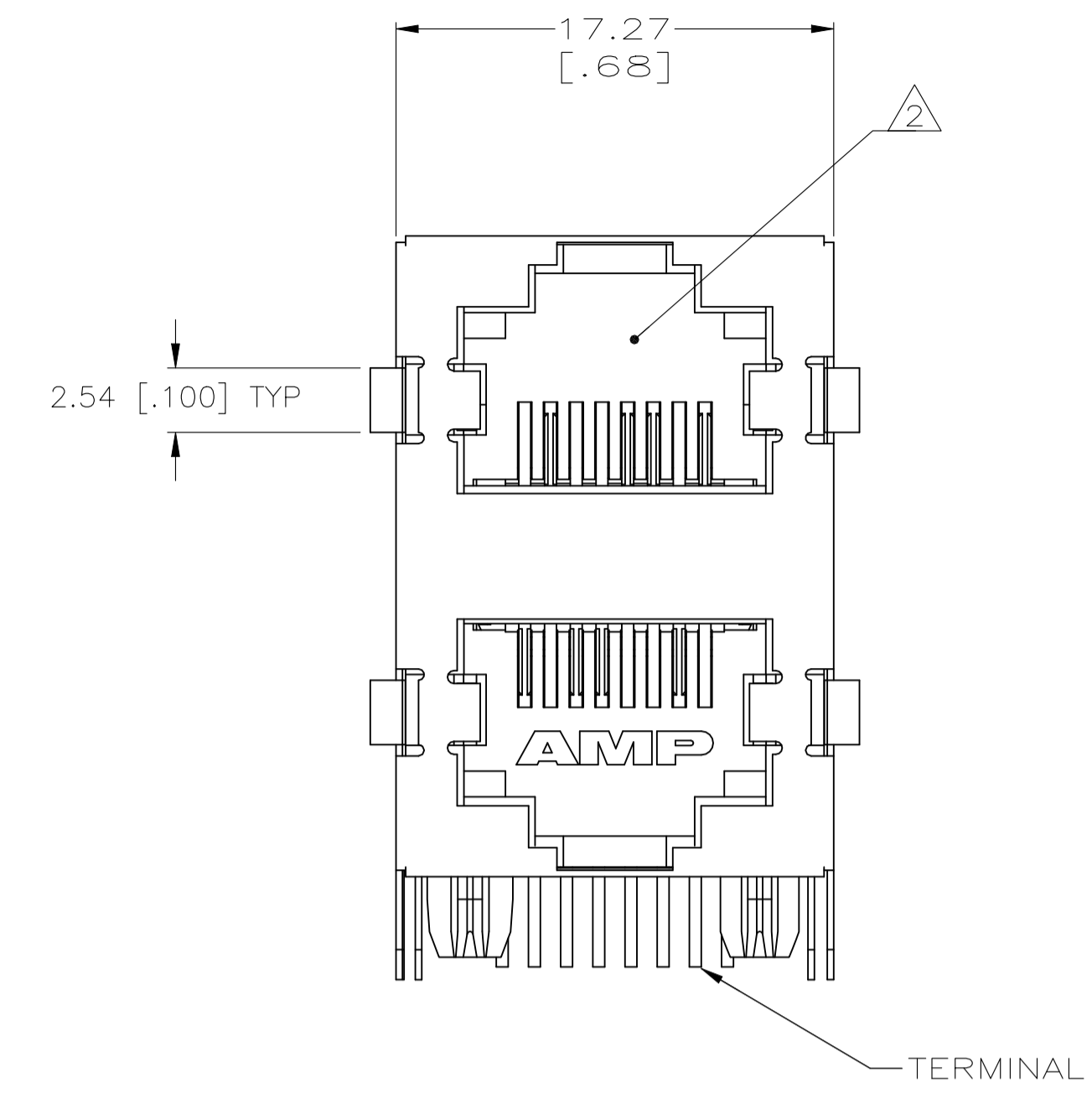
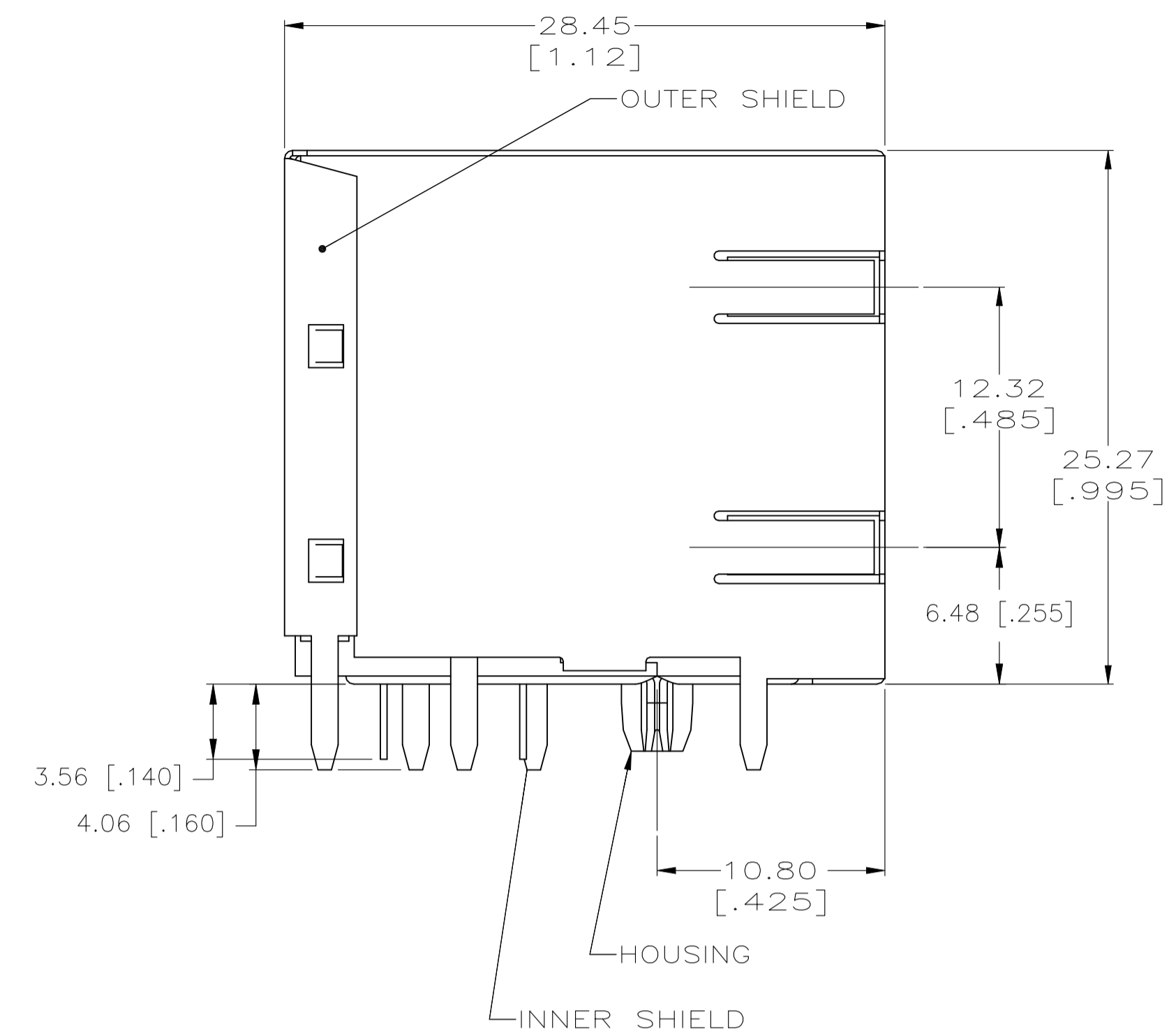
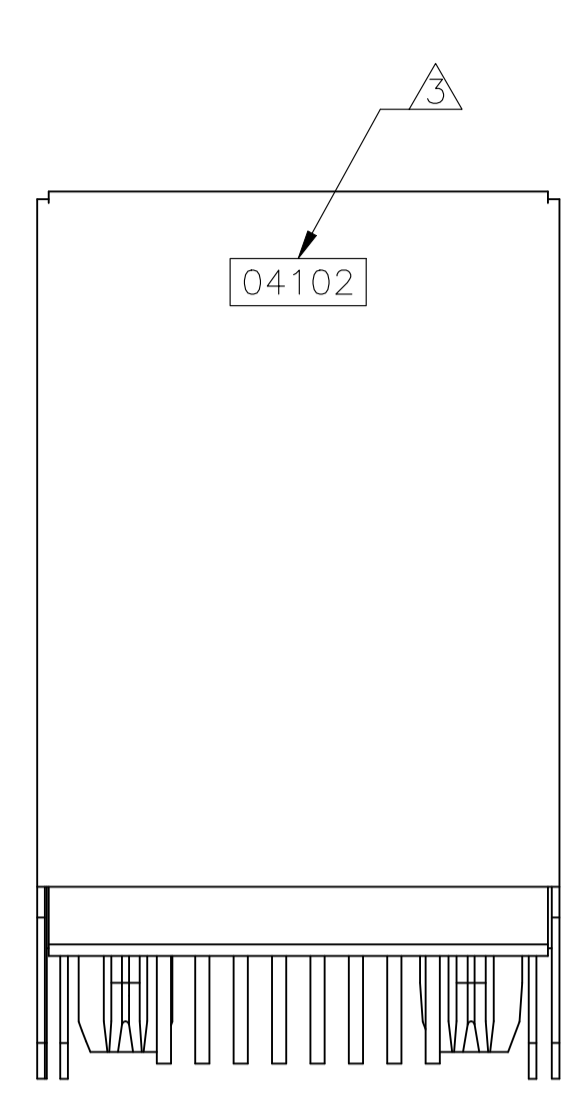


REVISIONS				
REV	DESCRIPTION	DATE	BY	APP'D
B2	MODIFIED AS PER ECR-23-169440	31MAR2023	KV	HW



- MATERIAL:  
HOUSING - PCT POLYESTER, BLACK, UL94V-0.  
OVERMOLDED TERMINAL ARRAY - HIGH TEMPERATURE NYLON, COLOR: NATURAL  
TERMINALS - 0.33 [.013] THICK PHOS BRONZE PLATED WITH 1.27um [.000050] MIN THICK HARD GOLD IN LOCALIZED AREA AND 3.81um [.000150] MIN THICK MATTE TIN IN SOLDER AREA OVER 1.27um [.000050] MIN THICK NICKEL UNDERPLATE.  
OUTER SHIELD AND INNER SHIELD - 0.25[.010] THICK COPPER ALLOY PLATED WITH 1.27um[.000050] MIN NICKEL. PCB GROUND TABS DIPPED WITH 2.03um[.00080] MIN TIN
- JACK CAVITY CONFORMS TO FCC RULES AND REGULATIONS, PART 68 SUBPART F.
- DATE CODE LOCATED ON REAR OF PART APPROXIMATELY AS SHOWN:  
FIRST 2 DIGITS ARE LAST 2 DIGITS OF YEAR, SECOND 2 DIGITS ARE MANUFACTURING WORK WEEK, LAST DIGIT IS DAY OF WEEK, WITH SUNDAY = 1.
- PARTS PACKAGED IN SEALED BAGS WITH DESICCANT
- PARTS SUITABLE FOR LEAD FREE REFLOW PROCESSING TO 260° C
- THIS PRODUCT HAS NOT COMPLETED VALIDATION TESTING, SO THE STATUS IS PRELIMINARY.

PC BOARD LAYOUT VIEWED FROM COMPONENT SIDE

SUGGESTED PANEL CUTOUT DIMENSIONS SCALE 2:1

2007022-1  
PART NUMBER

THIS DRAWING IS A CONTROLLED DOCUMENT.		DIN T. SPRINKLE/L. A. MAYER 21MAY2005		TE Connectivity	
DIMENSIONS: mm [INCHES]		TOLERANCES UNLESS OTHERWISE SPECIFIED:		NAME	
0. PLC ± -		1. PLC ± -		S. FLICKINGER	
2. PLC ± 0.25[.01]		3. PLC ± 0.13[.005]		PRODUCT SPEC	
4. PLC ± -		ANGLES ± -		APPLICATION SPEC	
MATERIAL SEE NOTE 1		FINISH SEE NOTE 1		WEIGHT 0.000000	
				CUSTOMER DRAWING	
				SCALE 4:1 SHEET 1 of 1 REV B2	