

4

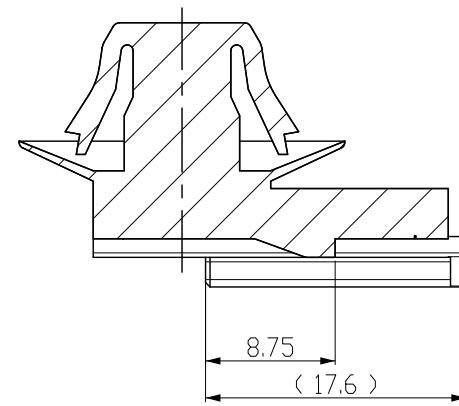
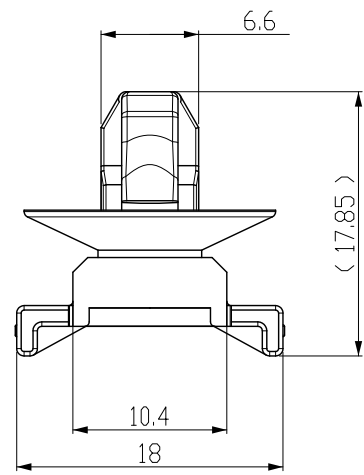
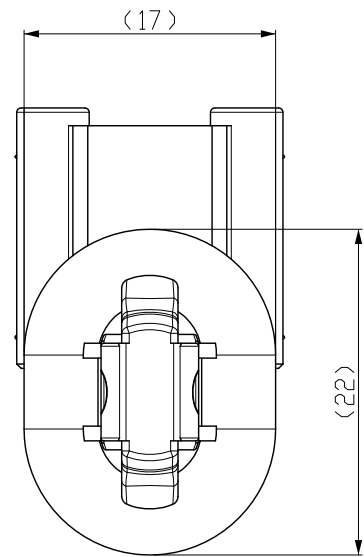
3

2

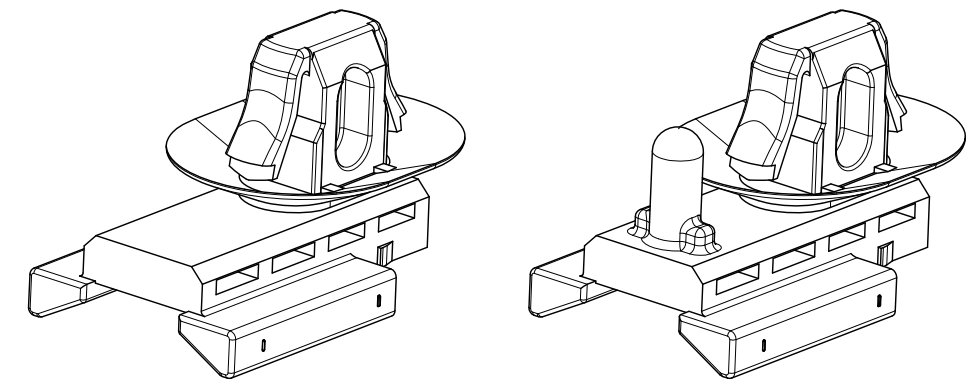
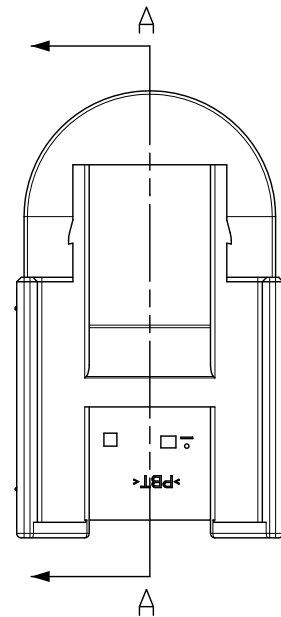
1

THIS DRAWING IS UNPUBLISHED. RELEASED FOR PUBLICATION
© COPYRIGHT 19 BY TYCO ELECTRONICS CORPORATION. ALL INTERNATIONAL RIGHTS RESERVED.

| LOC | DIST | REVISIONS | | | |
|-----|------|-------------|-------------------------|-----------|-------|
| P | LTR | DESCRIPTION | DATE | DWN | APVD |
| DS | - | B | REVISED (ECR-11-003865) | 22.FEB.11 | YM HG |



SECTION A-A



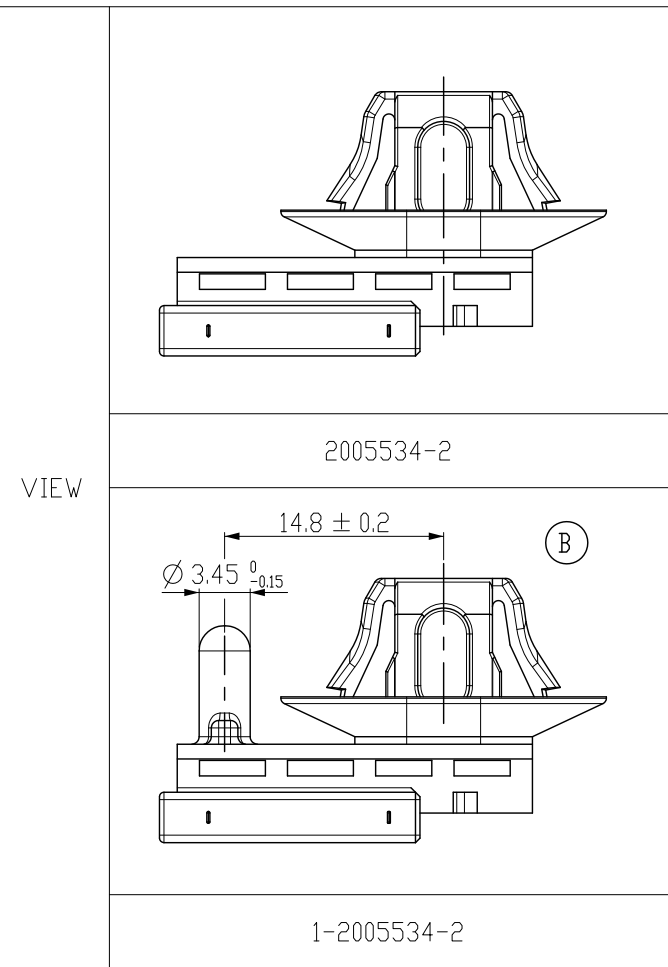
2005534-2

1-2005534-2

3D VIEW

NOTE

- GENERAL TOLERANCE: ± 0.3 , $\pm 3^\circ$
- APPLICABLE CONNECTOR P/N: X-1743528-X
- APPLICABLE PANNEL HOLE SIZE (T: 0.8mm - 1.2mm)



2005534-2

1-2005534-2

| HOLE SIZE | 2005534-2 | 1-2005534-2 |
|---------------------|-----------|-------------|
| | | |
| APPLICABLE CLIP P/N | 2005534-2 | 1-2005534-2 |

| | | | |
|-------|----------|--------------|-------------|
| BLACK | PBT | CLIP HSG 'B' | 1-2005534-2 |
| BLACK | PBT | CLIP HSG 'A' | 2005534-2 |
| COLOR | MATERIAL | DESCRIPTION | P/N |

THIS DRAWING IS A CONTROLLED DOCUMENT FOR TYCO ELECTRONICS CORPORATION IT IS SUBJECT TO CHANGE AND THE CONTROLLING ENGINEERING ORGANIZATION SHOULD BE CONTACTED FOR THE LATEST REVISION.

| | | | | | | | |
|-----------------------|---|--|------------------------------------|------------|------------------------|-------------------------|--------------------|
| DIMENSIONS: mm | TOLERANCES UNLESS OTHERWISE SPECIFIED: 0 PLC \pm 1 PLC ± 0.5 2 PLC ± 0.13 3 PLC ± 0.013 4 PLC ± 0.0001 ANGLES \pm | DWN YM LEE CHK JW JUNG APVD HG CHO PRODUCT SPEC - APPLICATION SPEC - WEIGHT - | | | | | |
| MATERIAL SEE TABLE | FINISH - | CUSTOMER DRAWING | NAME CLIP FOR LIF 39P CONNECTOR | SIZE A3 | CAGE CODE C-2005534 | DRAWING NO C-2005534 | RESTRICTED TO - |
| | | | SCALE 2:1 | SHEET 1 | OF 1 | REV B | |