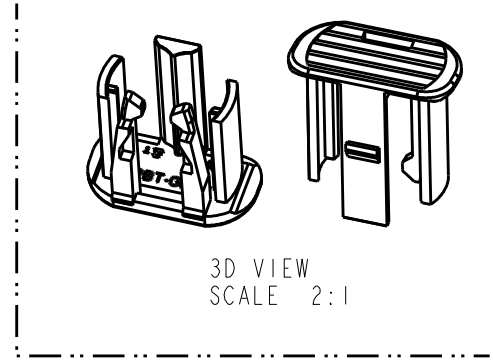
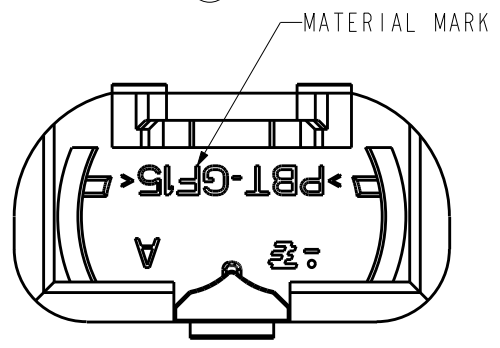
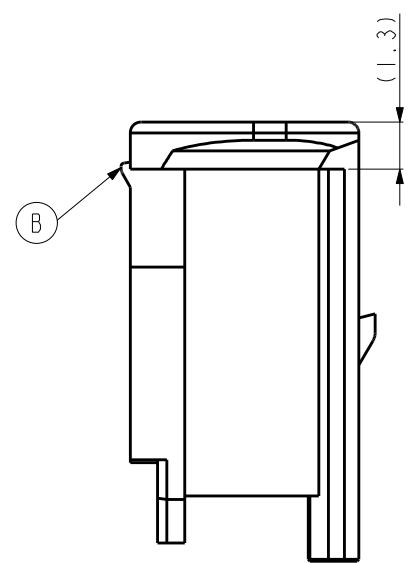
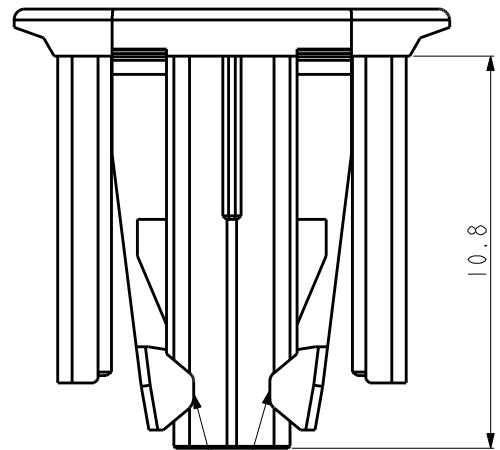
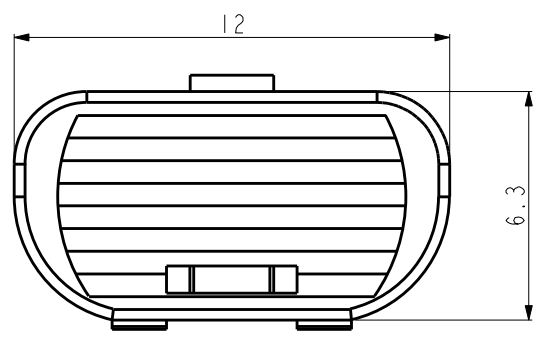


THIS DRAWING IS UNPUBLISHED. RELEASED FOR PUBLICATION 20
 © COPYRIGHT 20 BY - ALL RIGHTS RESERVED.

LOC	DIST	REVISIONS			
P	LTR	DESCRIPTION	DATE	DWN	APVD
DS	-	B	REVISED (ECR-12-000910)	05.MAR.'12	KT HG



- NOTE
- GENERAL TOLERANCE: ± 0.3 , $\pm 3^\circ$
 - APPLICABLE SQUIB AK-II PLUG HSG P/N: 2005510-X

ORANGE	PBT-GF15	CPA FOR SQUIB AK-II	2005512-1
COLOR	MATERIAL	DESCRIPTION	P/N

THIS DRAWING IS A CONTROLLED DOCUMENT.		DWN KT JUNG	TE Connectivity		
DIMENSIONS: mm		CHK KT LIM			
		APVD HG CHO	NAME CPA FOR SQUIB AK-II CONNECTOR		
TOLERANCES UNLESS OTHERWISE SPECIFIED:		PRODUCT SPEC	RESTRICTED TO		
0 PLC ± 1 PLC ± 2 PLC ± 3 PLC ± 4 PLC ± ANGLES ±		APPLICATION SPEC	SIZE A3	CAGE CODE 00779	DRAWING NO C-2005512
MATERIAL - FINISH -		WEIGHT -	SCALE 5:1 SHEET 1 OF 1 REV B		
CUSTOMER DRAWING					