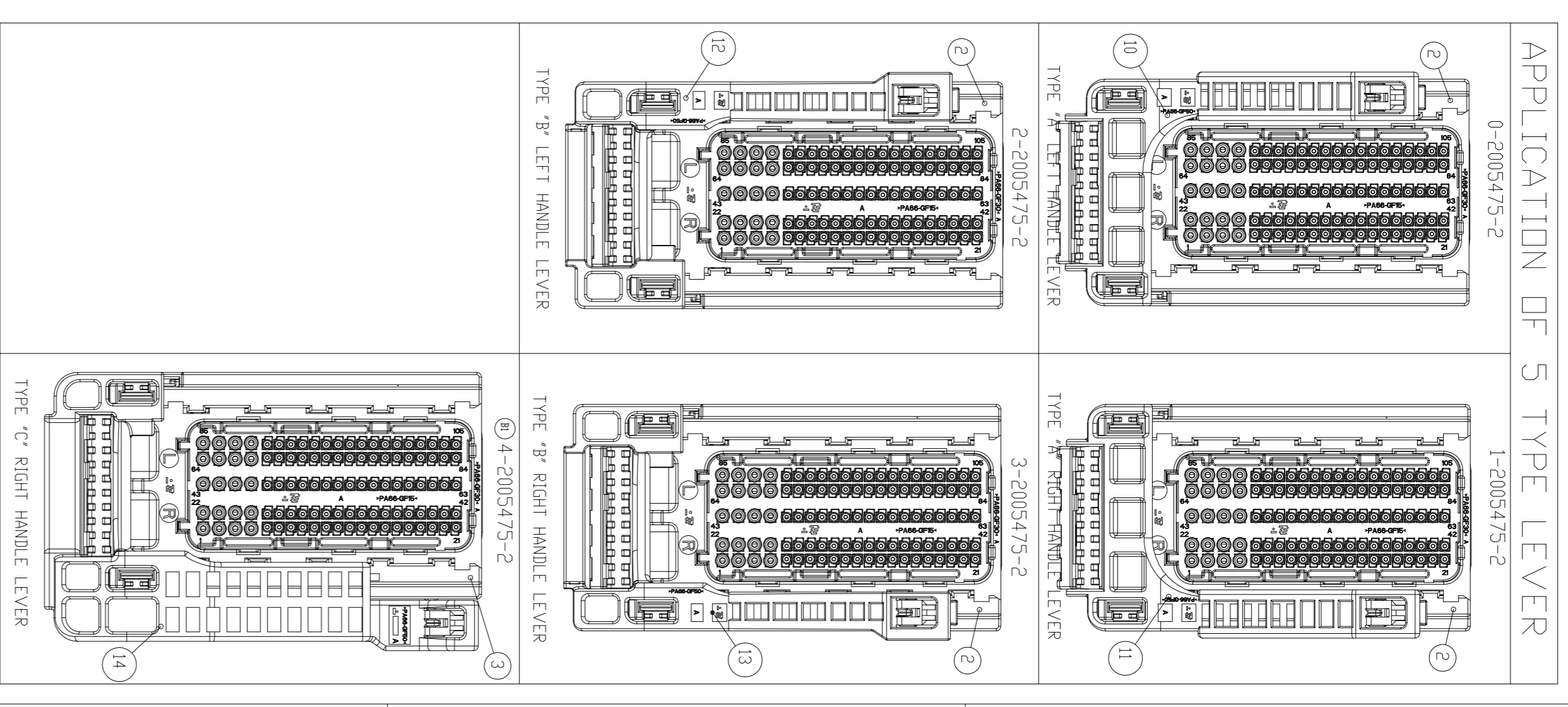
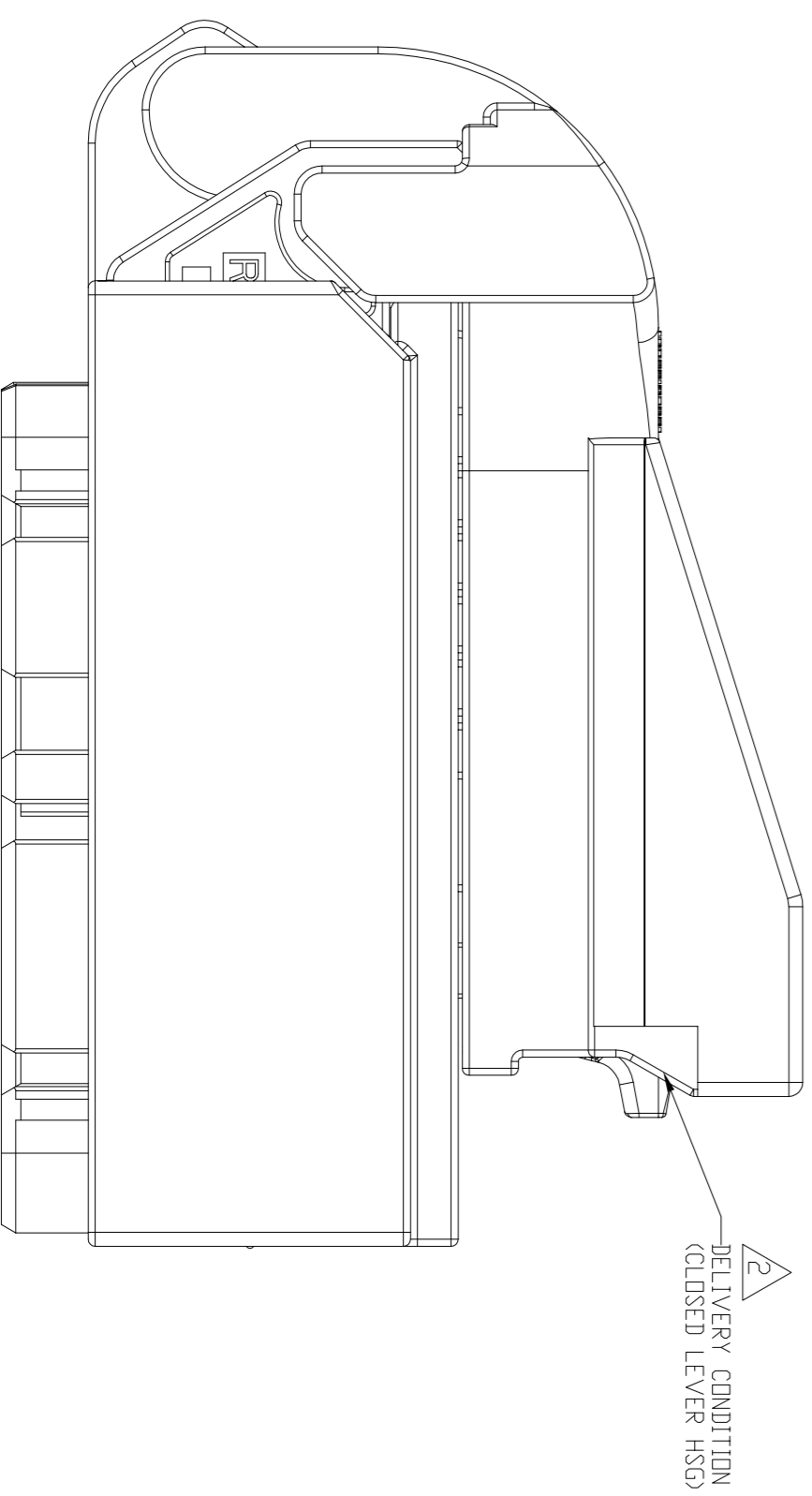
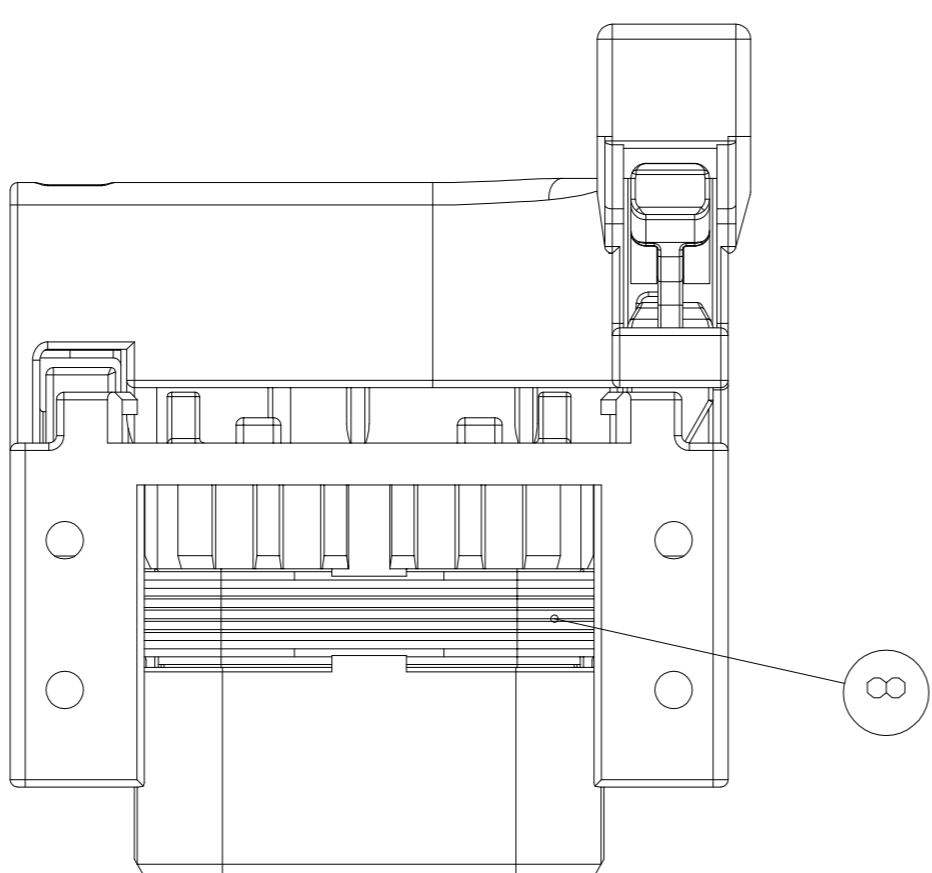
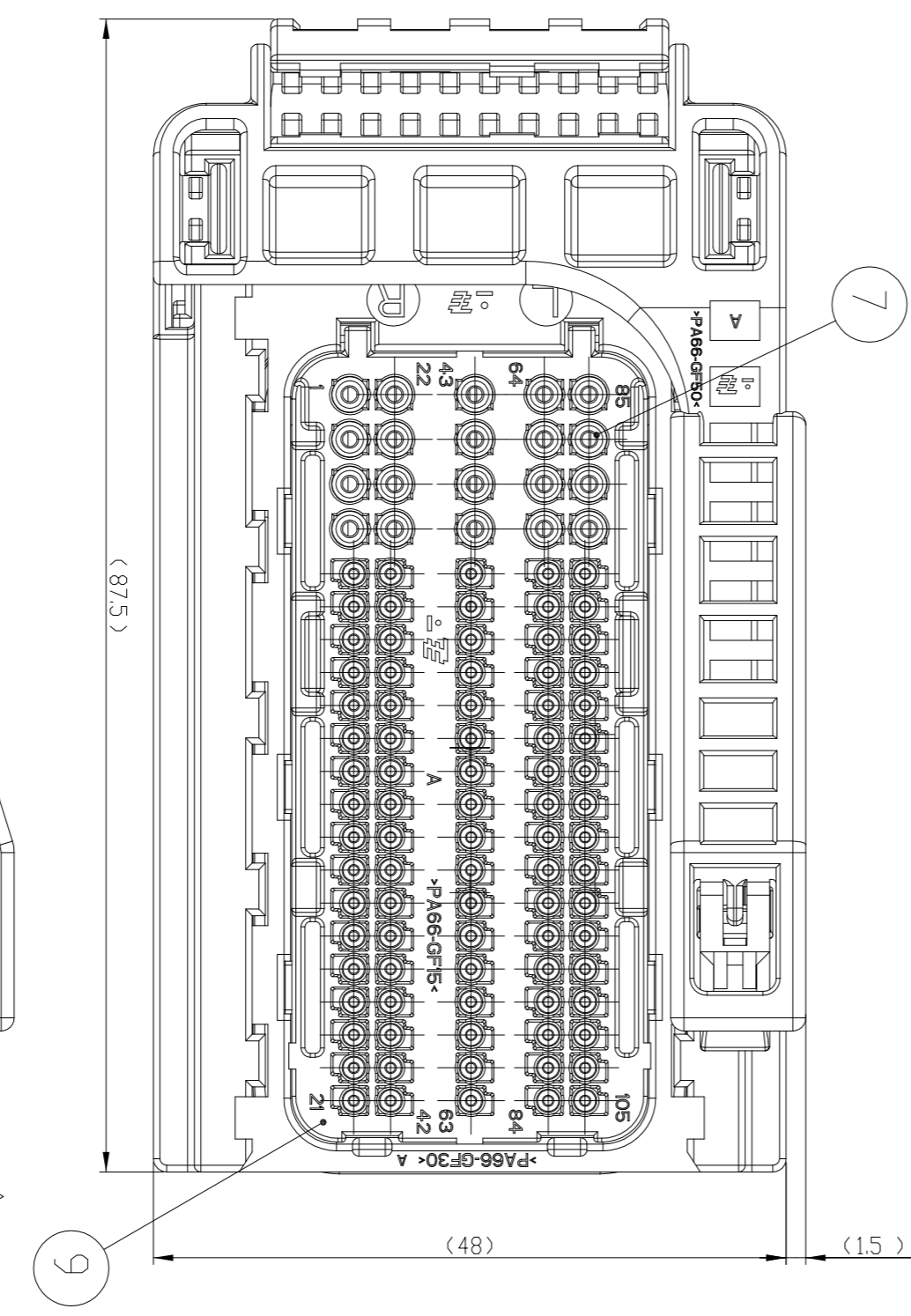
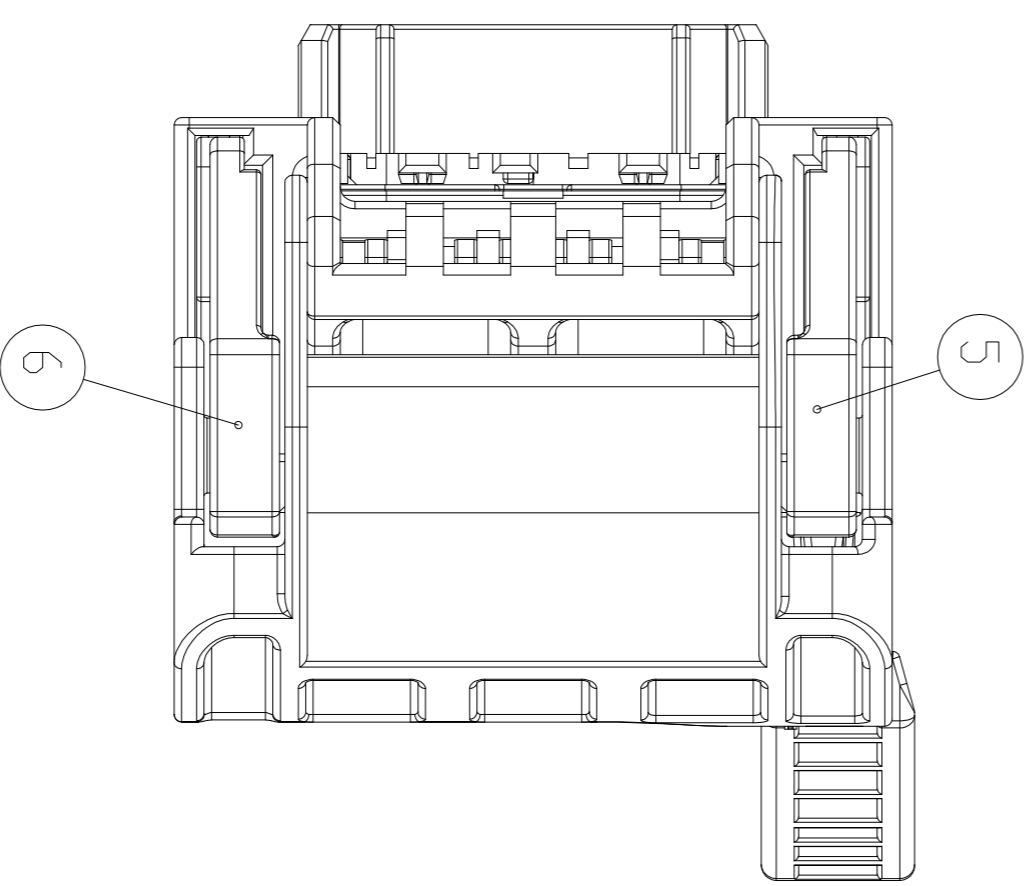


NOTE
 1. GENERAL TOLERANCE: ±0.3 ±3°

- △ DELIVERY CONDITION : CLOSED LEVER POSITION
3. APPLICABLE RETAINER HSG : 2005479-6 (12mm CB)
 4. APPLICABLE COVER HSG : 2005480, 2005481, 2005563, 2005564, 2109179, 2109180
 5. TERMINALS AND TABS MUST HAVE THE SAME SURFACE PLATING MATERIAL
 6. PARTS MUST BE ORDERED SEPARATELY FROM THE SUPPLIER
 7. UNOCCUPIED CHAMBERS ARE TO CLOSE WITH BLIND PLUG
 APPLICABLE BLIND PLUG: 1-1452424-(12109258-4D) : (0.5-0.75mm²)
 1-1452424-2U-(2109258-8) : (1.0-1.5mm²)



APPLICATION OF 5 TYPE LEVER

REV	DATE	BY	CHK	DESCRIPTION
1	09MAY13	SJ	HG	REVISED (ECR-13-007229)
2	14JUL14	SJ	HG	REVISED (ECR-14-000406)
3	15APR16	SJ	JW	REVISED (ECR-16-005527)

NO	COL DR	MATERIAL	DESCRIPTION	QTY
1		PA66-GF30	10SP MAIN BODY HSG (RH)	1
2		PA66-GF30	10SP MAIN BODY HSG (LH)	1
3		PA66-GF30	10SP FRONT CAVITY HSG	1
4		PA66-GF30	10SP MAIN BODY HSG (RH) SIDE	1
5		PA66-GF30	10SP MAIN BODY HSG (LH) SIDE	1
6		PA66-GF30	RH SLIDE HSG	1
7		PA66-GF30	LH SLIDE HSG	1
8		PA66-GF15	INNER SEAL	1
9		PA66-GF15	10SP SEAL HOLDER HSG	1
10		PA66-GF15	LEVER TYPE-A HSG(LH)	1
11		PA66-GF15	LEVER TYPE-A HSG(RH)	1
12		PA66-GF50	LEVER TYPE-B HSG(LH)	1
13		PA66-GF50	LEVER TYPE-B HSG(RH)	1
14		PA66-GF50	LEVER TYPE-C HSG(RH)	1

CONTACT	MCON 12mm CLEAN BODY CONTACT
P/N	1534594-1 (1620144-1) 1452903-1 (2005544-1) 1452903-1 (2005546-1)
WIRE SIZE(mm ²)	0.3-0.35 (4XL (053F)) 0.5-0.75 (4XL (053F)) 1.0-1.5 (4XL (053F))
INSULATION DIA (mm)	Ø1.4-Ø1.9 Ø1.9-Ø2.4

THIS DRAWING IS A CONTROLLED DOCUMENT

DIRSIZES	mm
PROJECTION	1st angle
UNIT	mm
TOLERANCE	SEE TABLE

PCU SEALED 10SP PLUG ASSY

SIZE CODE DRAWING NO: A1 00779

SCALE: 2:1 SHEET 1 OF 1 REV D1

STE TE Connectivity