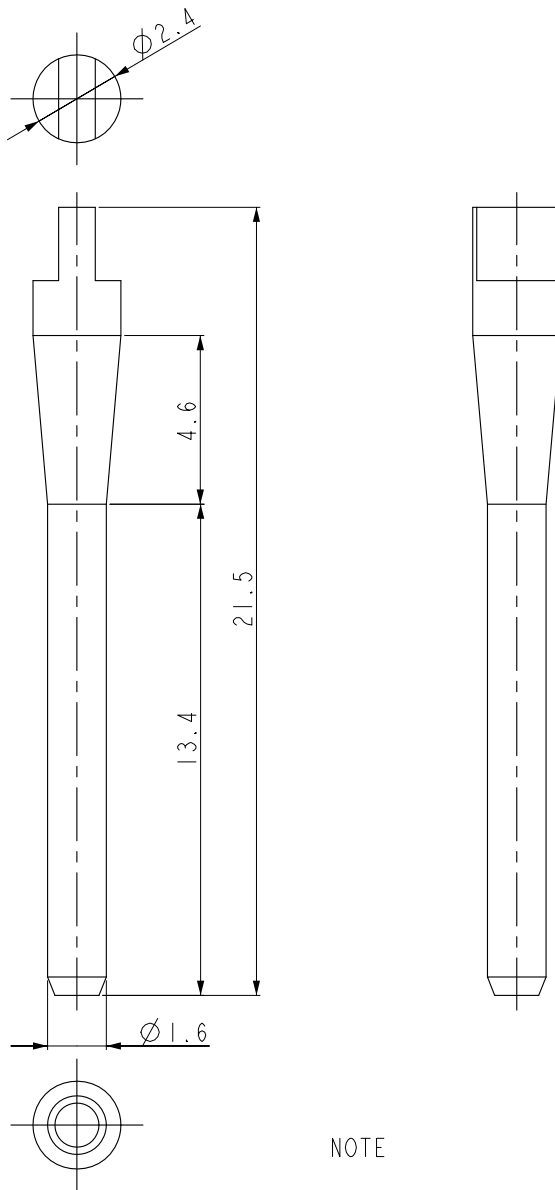


LOC	DIST	REVISIONS					
DS	-	P	LTR	DESCRIPTION	DATE	DWN	APVD
		A		RELEASED	10.SEP.'09	KT	HG



NOTE

1. GENERAL TOLERANCE:  $\pm 0.3$

GRAY	PBT-GF15	CAVITY BLOCK	2005423-3
COLOR	MATERIAL	DESCRIPTION	P/N

RELEASED FOR PUBLICATION 20

THIS DRAWING IS UNPUBLISHED.

© COPYRIGHT 20 BY TYCO ELECTRONICS CORPORATION. ALL RIGHTS RESERVED.

DIMENSIONS: mm  TOLERANCES UNLESS OTHERWISE SPECIFIED:  0 PLC $\pm$ 1 PLC $\pm$ 2 PLC $\pm$ 3 PLC $\pm$ 4 PLC $\pm$ ANGLES $\pm$	DWN KT JUNG	MATERIAL SEE TABLE	FINISH -
	CHK JW JUNG	Tyco Electronics Kyungsan, Korea	
	APVD HG CHO	NAME CAVITY PLUG FOR HYB 38P ISL PLUG ASS'Y	
	PRODUCT SPEC -	SIZE A 4	CAGE CODE 00779
APPLICATION SPEC -	RESTRICTED TO -	SCALE 5:1 SHEET 1 OF 1 REV A	
WEIGHT -	CUSTOMER DRAWING		