

4

3

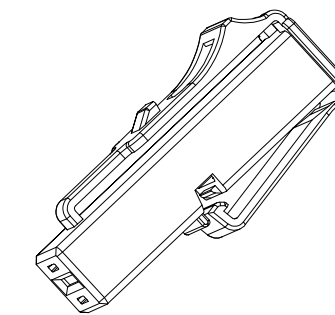
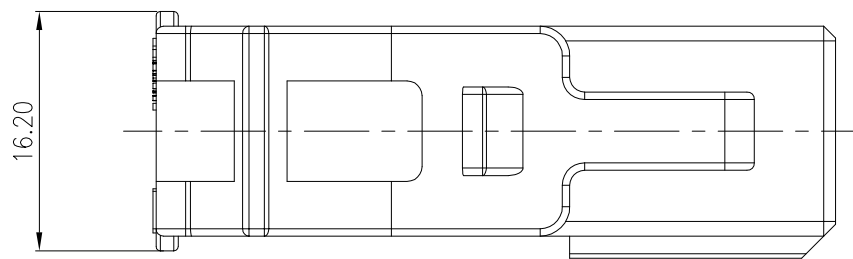
2

1

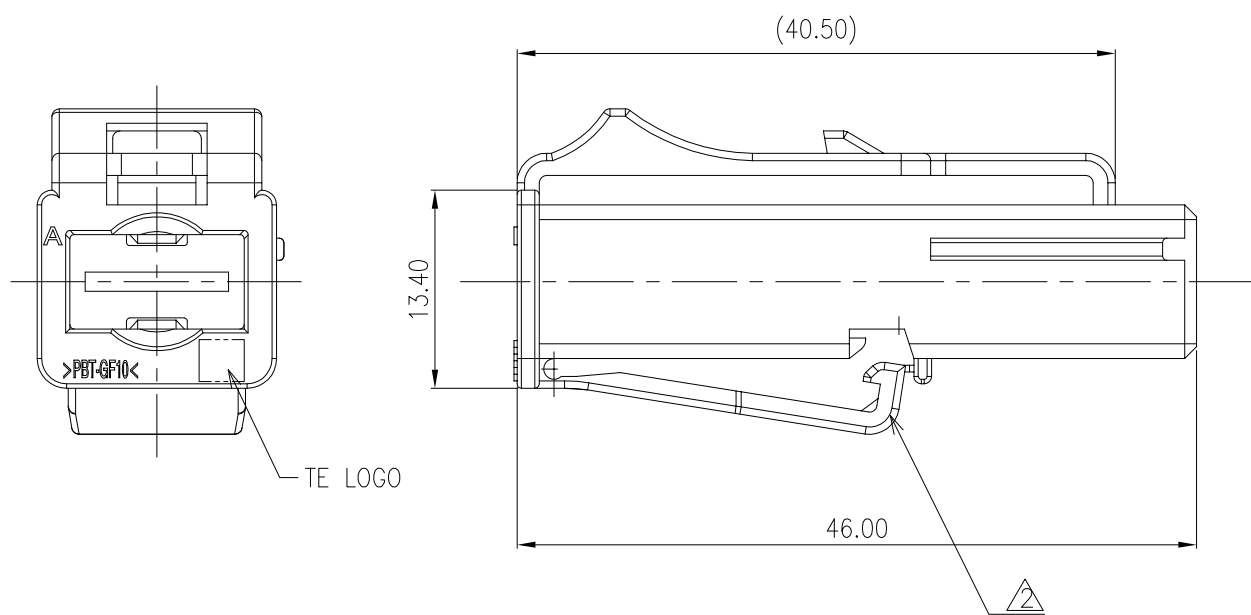
THIS DRAWING IS UNPUBLISHED. RELEASED FOR PUBLICATION
© COPYRIGHT BY TE CONNECTIVITY ALL RIGHTS RESERVED.

REVISIONS

P	LTR	DESCRIPTION	DATE	DWN	APVD
	A	RELEASE	21.APR.'11	JY	JK
	A1	REVISED (ECR-15-008546)	16.JUN.'15	JM	HG



ISOMETRIC VIEW



MCP 9.5mm 1P PLUG KEY CODE TABLE			
2005400-3	GRAY	2005400-1,2	NATURAL BLACK

A CONTACT TABLE

TYPE	FINISH	P/NO	WIRE RANGE(mm ²)	TAB GAP
.375 (9.5mm)	1-XXX-1	967588	6.0~10.0	1.2t
		1241930	6.0~10.0	0.8t

- 1) FINISH & MATERIAL
 1-XXX-1 CuNiSi Pre-tin Plated.
 1-XXX-2 CuNiSi Selective Silver Plated.

- NOTE.
 1. GENERAL TOLERANCE IS $\pm 0.3, \pm 1^\circ$
A CONDITION OF DELIVERY: DBL PLATE PRE-ASSEMBLY POSITION
B SEE THE KEY CODE TABLE
C APPLICABLE RECEPTACLE CONTACT P/N; CONTACT TABLE

A1	2005400-3	PBT-GF10	GRAY
	2005400-2	PBT-GF10	BLACK
	2005400-1	PBT-GF10	NATURAL
	P/NO	MATERIAL	COLOR

THIS DRAWING IS A CONTROLLED DOCUMENT FOR TYCO ELECTRONICS CORPORATION IT IS SUBJECT TO CHANGE AND THE CONTROLLING ENGINEERING ORGANIZATION SHOULD BE CONTACTED FOR THE LATEST REVISION.		DWN JM JEON CHK JW JUNG APVD HG CHO PRODUCT SPEC 108-18630 APPLICATION SPEC 114-18269 WEIGHT 9.7g CUSTOMER DRAWING			
DIMENSIONS: MM 		TOLERANCES UNLESS OTHERWISE SPECIFIED: 0 PLC \pm 1 PLC \pm 2 PLC \pm 3 PLC \pm 4 PLC \pm ANGLES \pm FINISH		NAME MCP 9.5mm 1P PLUG HOUSING SIZE A3 CAGE CODE 00779 DRAWING NO 2005400 RESTRICTED TO -	
MATERIAL SEE TABLE		SCALE 1/1		SHEET 1 OF 1 REV A1	