

4

3

2

1

THIS DRAWING IS UNPUBLISHED.

RELEASED FOR PUBLICATION

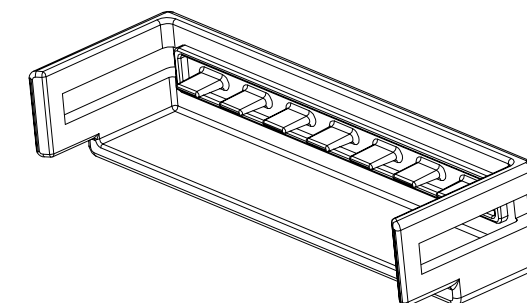
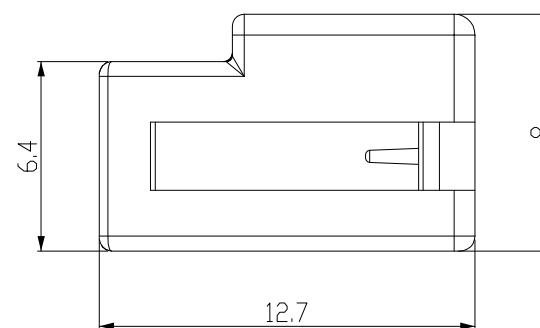
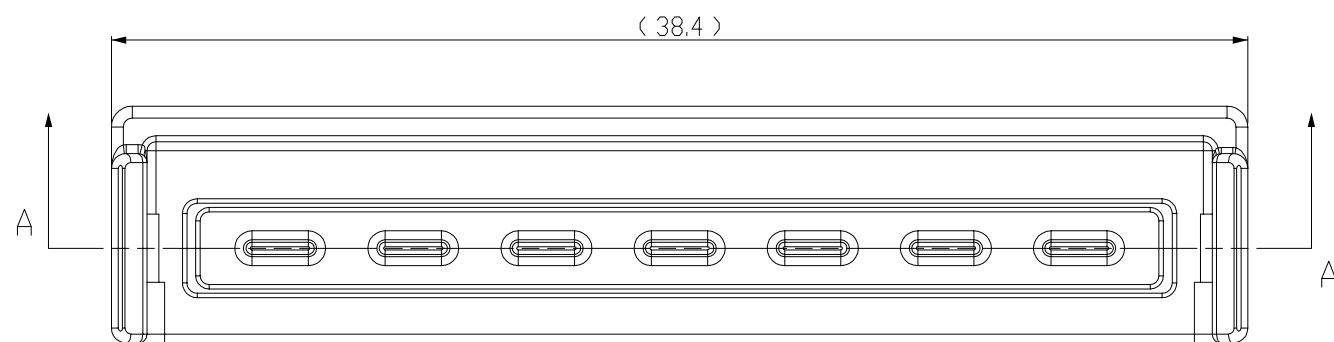
2014

© COPYRIGHT 2010 BY TE CONNECTIVITY

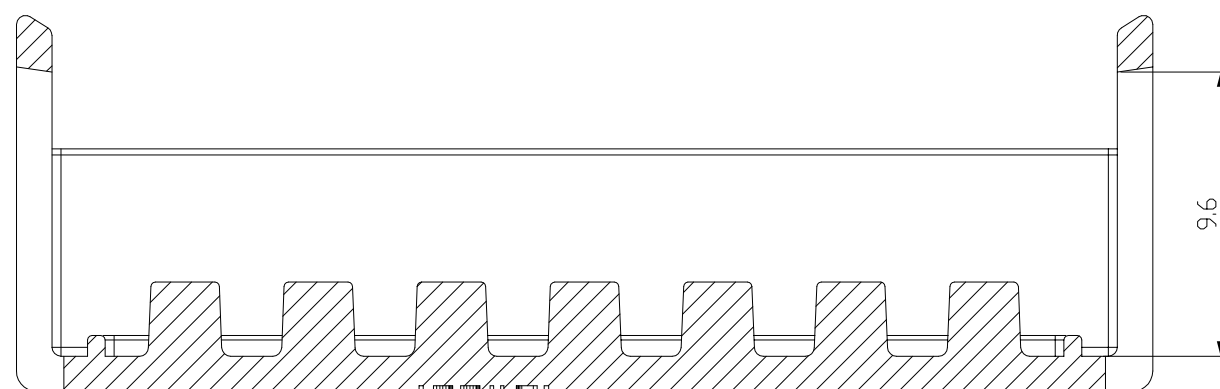
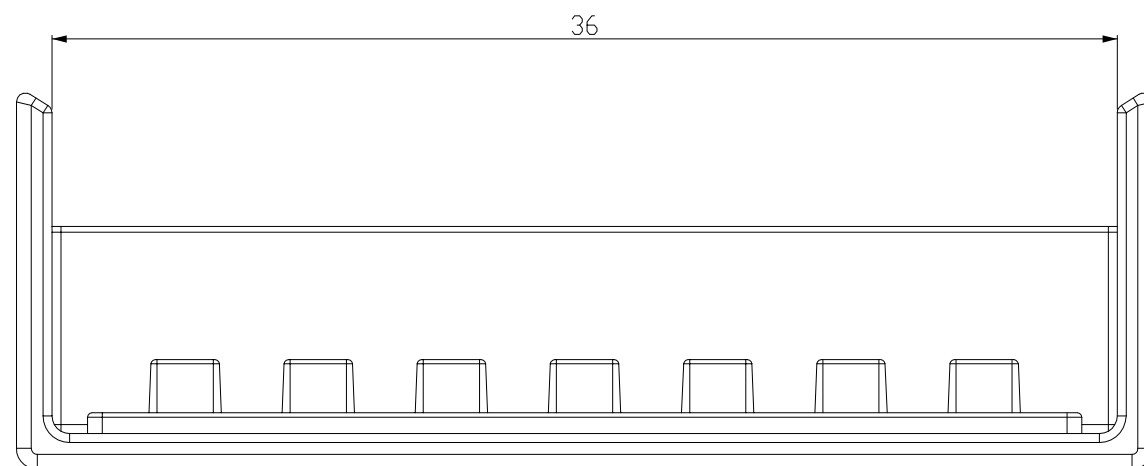
ALL RIGHTS RESERVED.

REVISIONS

P	LTR	DESCRIPTION	DATE	DWN	APVD
	A	RELEASED	11.JUN.'10	KT	HG
	B	REVISED (ECR-14-009134)	18.JUN.'14	JM	HG



3D VIEW SCALE 2:1



SECTION A-A

NOTES

- 1. GENERAL TOLERANCE: ±0.3, ±3°
- 2. APPLICABLE MATING PART NO: 2005499-X

②	YELLOW	PA66	.025 30P COVER (YEL)	2005319-5
	BROWN	PA66	.025 30P COVER (BRN)	2005319-4
	GRAY	PA66	.025 30P COVER (GRY)	2005319-3
	BLACK	PA66	.025 30P COVER (BLK)	2005319-2
	NATURAL	PA66	.025 30P COVER (NAT)	2005319-1
	COLOR	MATERIAL	DESCRIPTION	P/N

THIS DRAWING IS A CONTROLLED DOCUMENT.

DIMENSIONS:	TOLERANCES UNLESS OTHERWISE SPECIFIED:
mm	
	0 PLC ±
	1 PLC ±
	2 PLC ±
	3 PLC ±
	4 PLC ±
	ANGLES ±
MATERIAL	FINISH
-	-

DWN JM JEON		TE Connectivity	
CHK JW JUNG			
APVD HG CHO		NAME	
PRODUCT SPEC		REAR HOLDER FOR .025 30P JOINT ASSY	
APPLICATION SPEC		SIZE	RESTRICTED TO
WEIGHT		A3	-
CUSTOMER DRAWING		CAGE CODE	REV
		00779	B
		DRAWING NO	
		C-2005319	
		SCALE	SHEET
		4:1	1 OF 1