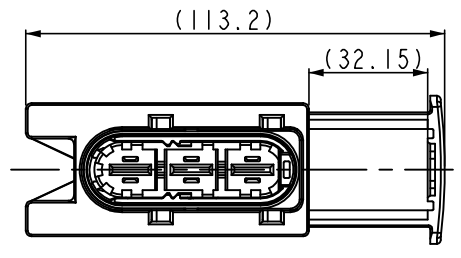
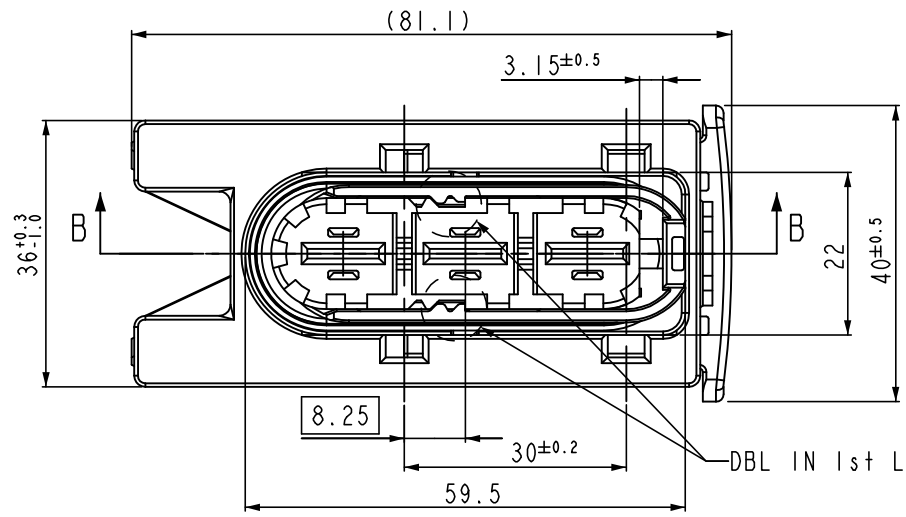
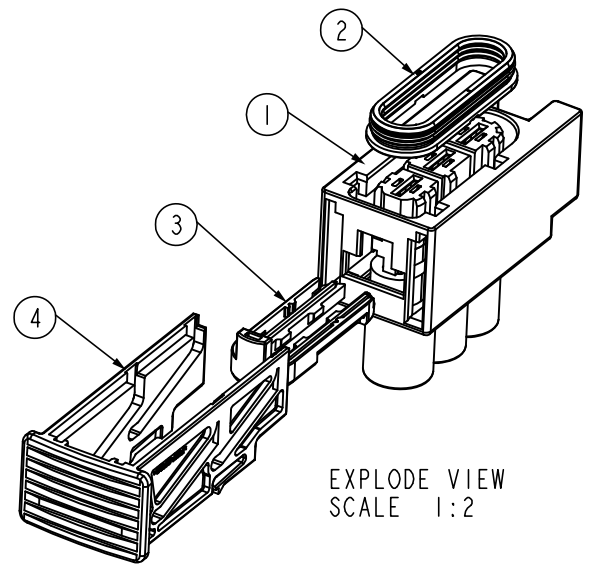


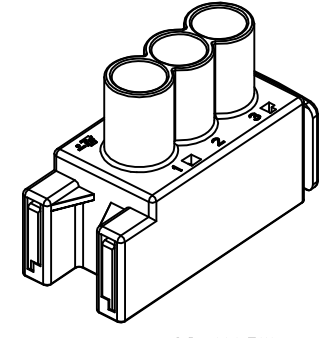
LOC	DIST	REVISIONS					
DS	-	P	LTR	DESCRIPTION	DATE	DWN	APVD
		A		RELEASED	26.DEC.'09	KT	HG



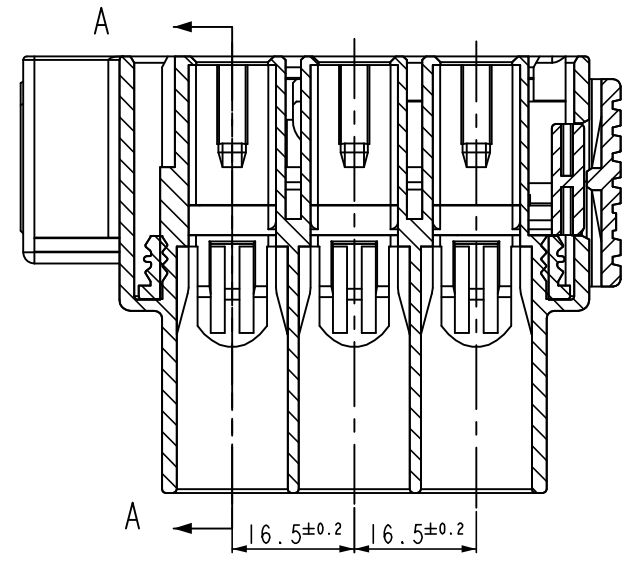
6 SLIDE OPEN VIEW
SCALE 1:2



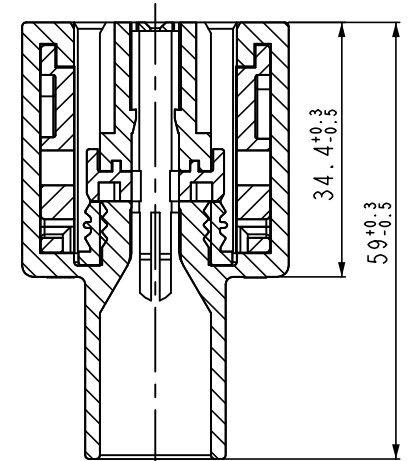
EXPLODE VIEW
SCALE 1:2



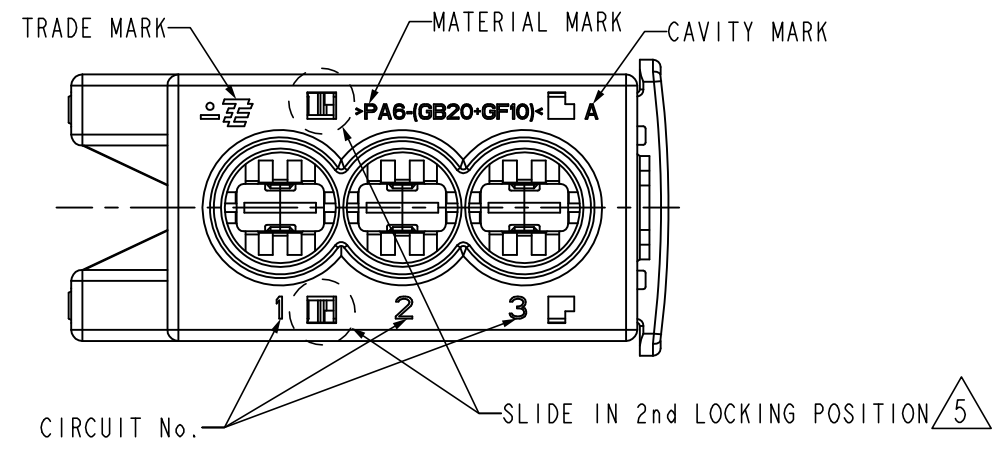
3D VIEW
SCALE 1:2



SECTION B-B



SECTION A-A



NOTE

- 1. GENERAL TOLERANCE: ±0.3, ±3°
- 2. APPLICABLE MATING CONNECTOR P/N: X-2005298-X
- 3. APPLICABLE CONTACT P/N: I-967590-1

Conductor		Insulation Diameter	
Nominal Size	Calculated Cross-Section Area (mm ²)	Minimum (mm)	Maximum (mm)
10.0	10.03	5.8	6.6

- 4. APPLICABLE WIRE SEAL P/N: 1355437-2

- 5. DELIVERY CONDITION:
DBL HSG IN 1st LOCKING, SLIDE IN 2nd LOCKING POSITION.
- 6. CONDITION OF BEFORE MATING:
DBL HSG IN 2nd LOCKING, SLIDE IN 1st LOCKING POSITION.

NO	COLOR	MATERIAL	DESCRIPTION	QTY
4	GRAY	PBT-GF20	SLIDE LEVER	1
3	NATURAL	PBT/ASA-GF20	DBL HSG	1
2	ORANGE	SILICON	SEAL	1
1	BLACK	PA6-(GB20+GF10)	PLUG HSG	1

THIS DRAWING IS A CONTROLLED DOCUMENT FOR TYCO ELECTRONICS CORPORATION. IT IS SUBJECT TO CHANGE AND THE CONTROLLING ENGINEERING ORGANIZATION SHOULD BE CONTACTED FOR THE LATEST REVISION.

DIMENSIONS: mm	TOLERANCES UNLESS OTHERWISE SPECIFIED: 0 PLC ± 1 PLC ± 2 PLC ± 3 PLC ± 4 PLC ± ANGLES ± FINISH
MATERIAL SEE TABLE	

DWN KT JUNG	Tyco Electronics Kyungsan, Korea		
CHK JW JUNG	NAME MCP 9.5mm 3P SLD PLUG ASSY FOR EOP		
APVD HG CHO	SIZE A3	CAGE CODE 00779	DRAWING NO C-2005301
PRODUCT SPEC -	RESTRICTED TO -		
APPLICATION SPEC -	CUSTOMER DRAWING	SCALE 1:1	SHEET 1 OF 1
WEIGHT -	REV A		