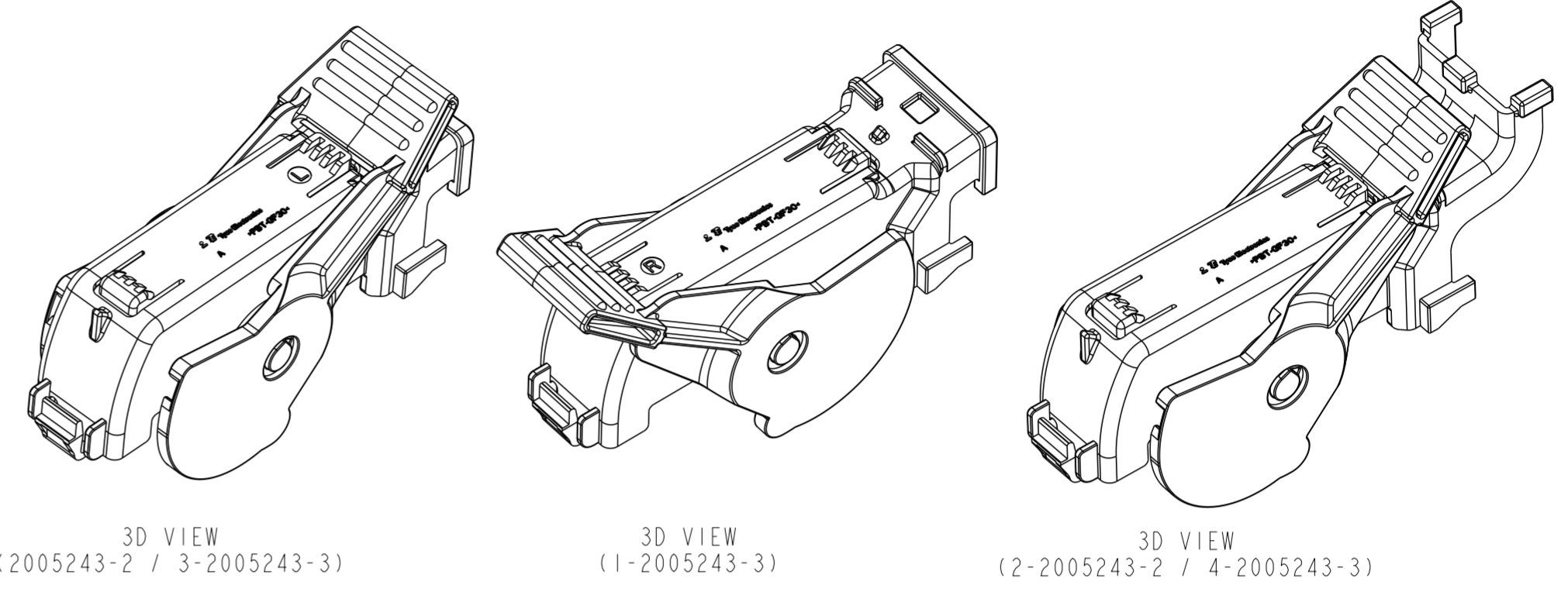
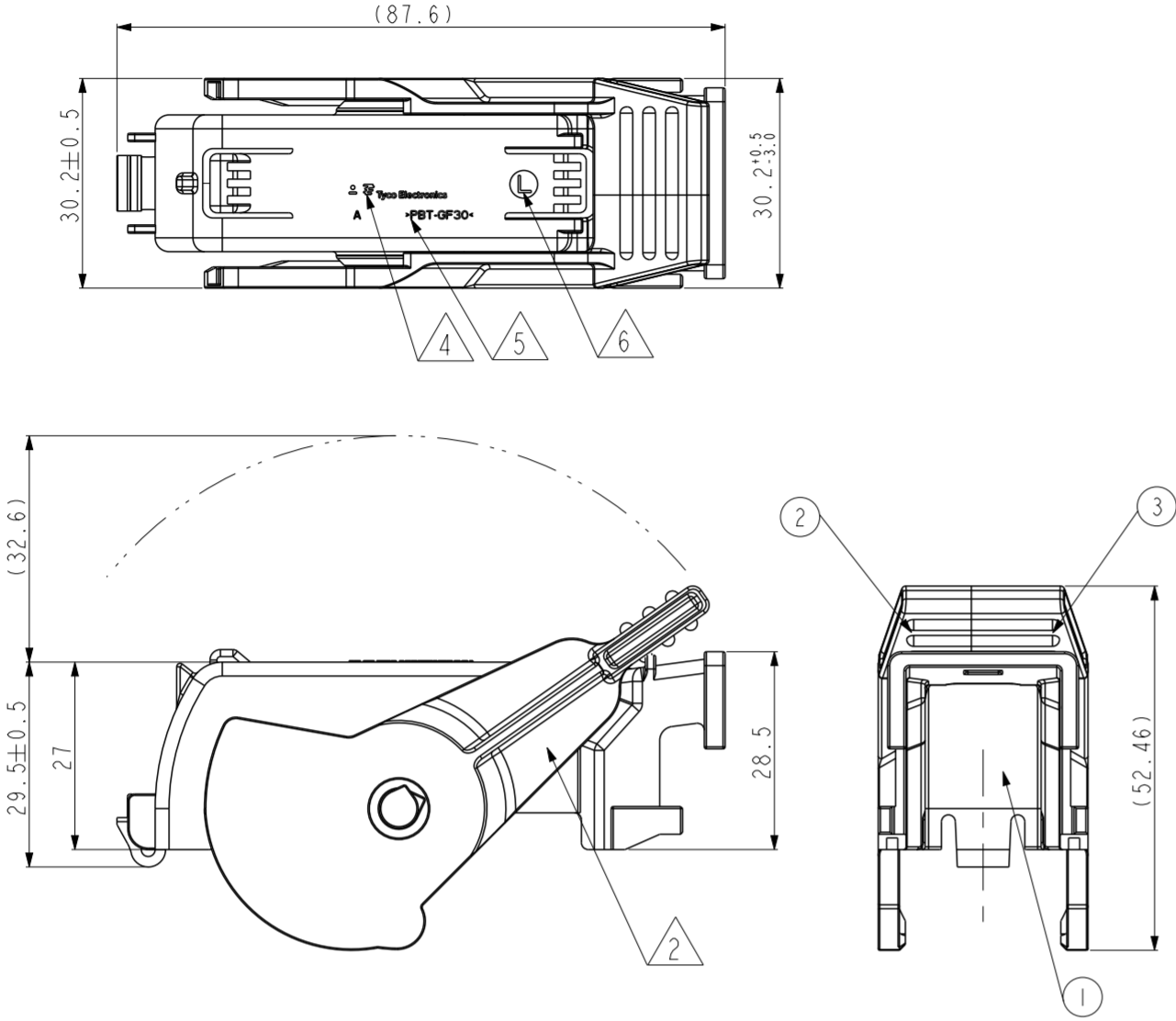


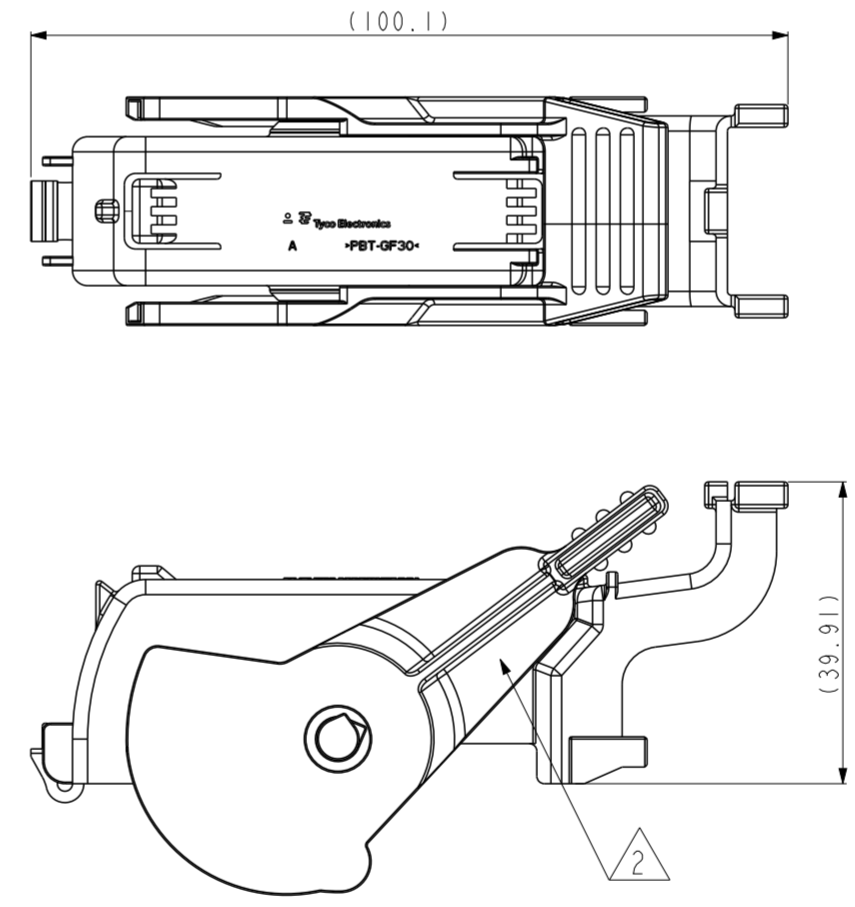
THIS DRAWING IS UNPUBLISHED. RELEASED FOR PUBLICATION 20
 © COPYRIGHT 20 BY - TE Connectivity ALL RIGHTS RESERVED.

REVISIONS				
P	LTR	DESCRIPTION	DATE	APVD
A1		REVISED (ECR-15-008320)	19AUG2015	SJ HG
B		REVISED (ECR-23-178241)	12JUN2023	CI KT

7. TYPE "L" DRAWING (2005243-2 / 3-2005243-3) IS BELOW SHOWN

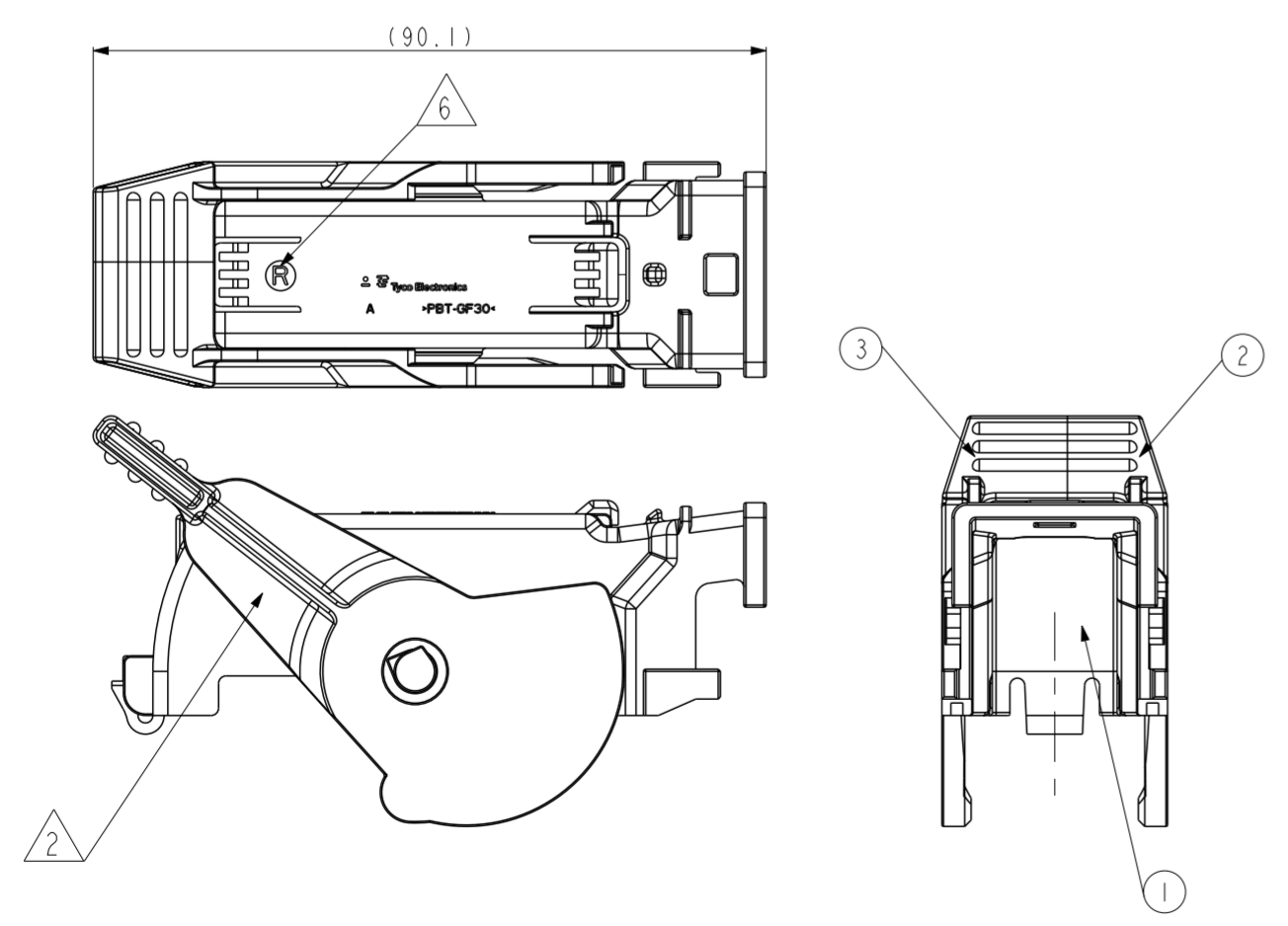


9. TYPE "V" DRAWING (2-2005243-2 / 4-2005243-3) IS BELOW SHOWN



- NOTE
- 1. GENERAL TOLERANCE: ± 0.3 , $\pm 3^\circ$
 - 2. DELIVERY CONDITION
 - 3. APPLICABLE CONNECTOR P/N: X-2005238-X
 - 4. TE LOGO
 - 5. MATERIAL MARK
 - 6. TYPE MARK

8. TYPE "R" DRAWING (1-2005243-3) IS BELOW SHOWN



NO.	COLOR	MATERIAL	DESCRIPTION	QTY
3	BLACK	PBT-GF30	LEVER HSG (RH)	1
2	BLACK	PBT-GF30	LEVER HSG (LH)	1
1	GRAY	PBT-GF30	COVER HSG TYPE "V-2"	1
	GRAY	PBT-GF30	COVER HSG TYPE "L"	1
	BLACK	PBT-GF30	COVER HSG TYPE "V-2"	1
	GRAY	PBT-GF30	COVER HSG TYPE "R"	1
	BLACK	PBT-GF30	COVER HSG TYPE "L"	1

THIS DRAWING IS A CONTROLLED DOCUMENT.

DWN: SJ CHOI
 CHK: SJ CHOI
 APVD: JW JUNG
 PRODUCT SPEC

TE Connectivity

NAME: HYB 38P ISL COVER ASSY

SIZE: A2 CAGE CODE: 00779 DRAWING NO: C-2005243 RESTRICTED TO: -

CUSTOMER DRAWING SCALE: 1:1 SHEET: 1 OF 1 REV: B