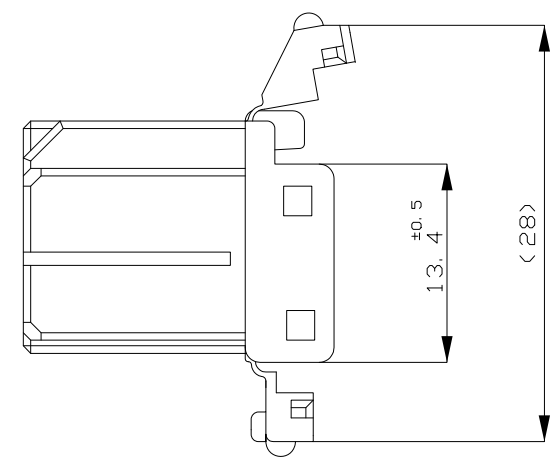
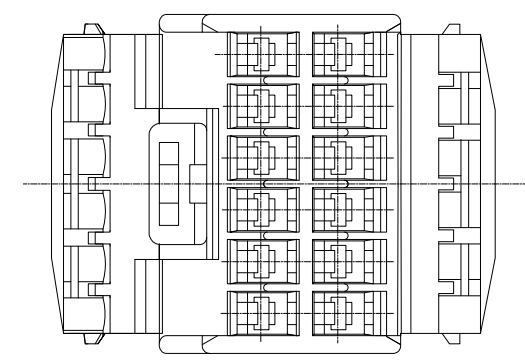
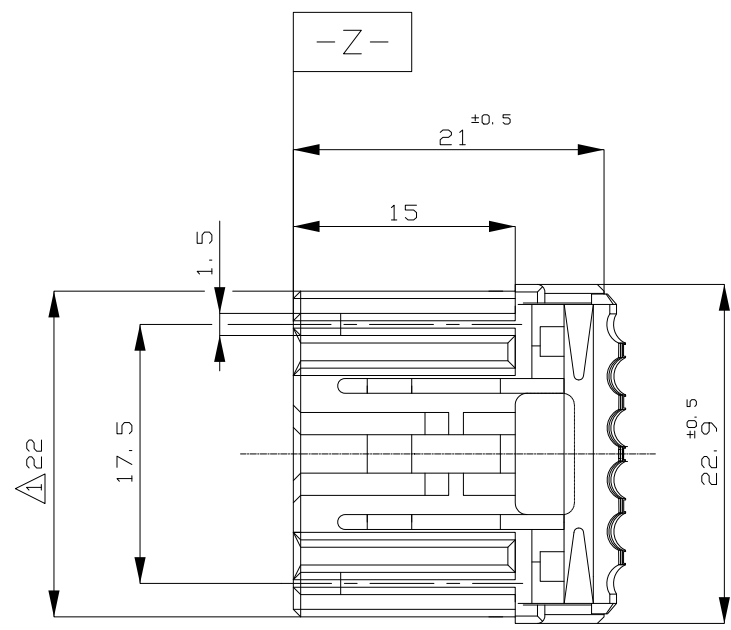
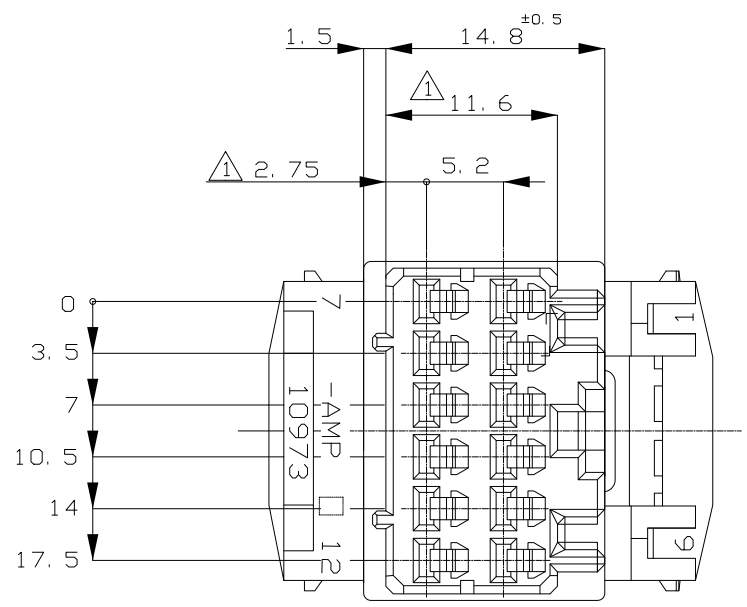


THIS DRAWING IS UNPUBLISHED. RELEASED FOR PUBLICATION
 © COPYRIGHT 20 BY TYCO ELECTRONICS CORPORATION. ALL RIGHTS RESERVED.

LOC	DIST	REVISIONS		
DS	-	P	LTR	DESCRIPTION
		A		RELEASED
			DATE	DWN
			06.AUG'08	DG
				APVD
				HG



- NOTES;
 1 MUST BE KEPT BETWEEN \square -Z- AND 2mm
 2 THE MATING CAP HSG. PART NUMBER; 175444, 175448
 3 APPLIED CONTACT P/N 173630, 173631
 4 APPLICABLE PRODUCT SPEC NO. 108-5280
 5. GENERAL TOLERANCE ± 0.3

NO.	COLOR	DESCRIPTION	Q'TY
1	WHITE	070 12P PLUG HSG	1

THIS DRAWING IS A CONTROLLED DOCUMENT FOR TYCO ELECTRONICS CORPORATION IT IS SUBJECT TO CHANGE AND THE CONTROLLING ENGINEERING ORGANIZATION SHOULD BE CONTACTED FOR THE LATEST REVISION.		DWN DG JEONG CHK YM CHOI APVD HG CHO PRODUCT SPEC - APPLICATION SPEC - WEIGHT -		Tyco Electronics Kyungsan, Korea NAME 070 12P PLUG HOUSING SIZE A3 CAGE CODE 00779 DRAWING NO C-2005155 RESTRICTED TO -	
DIMENSIONS: mm 	TOLERANCES UNLESS OTHERWISE SPECIFIED 0 PLC ± 1 PLC ± 2 PLC ± 3 PLC ± 4 PLC ± ANGLES ± MATERIAL PBT FINISH -	CUSTOMER DRAWING SCALE 2:1 SHEET 1 OF 1 REV A		0-2005155-1 ASSY P/N	