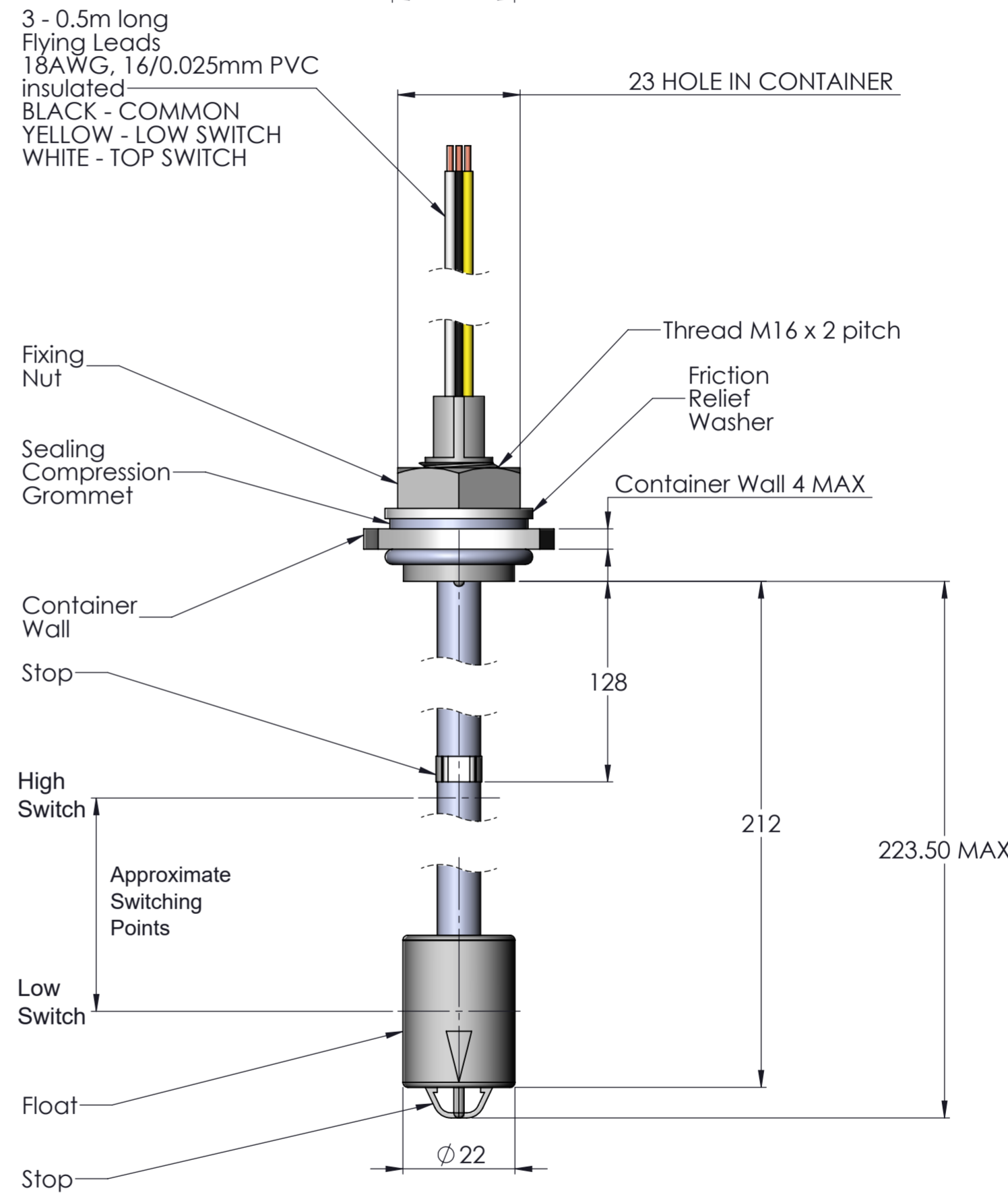
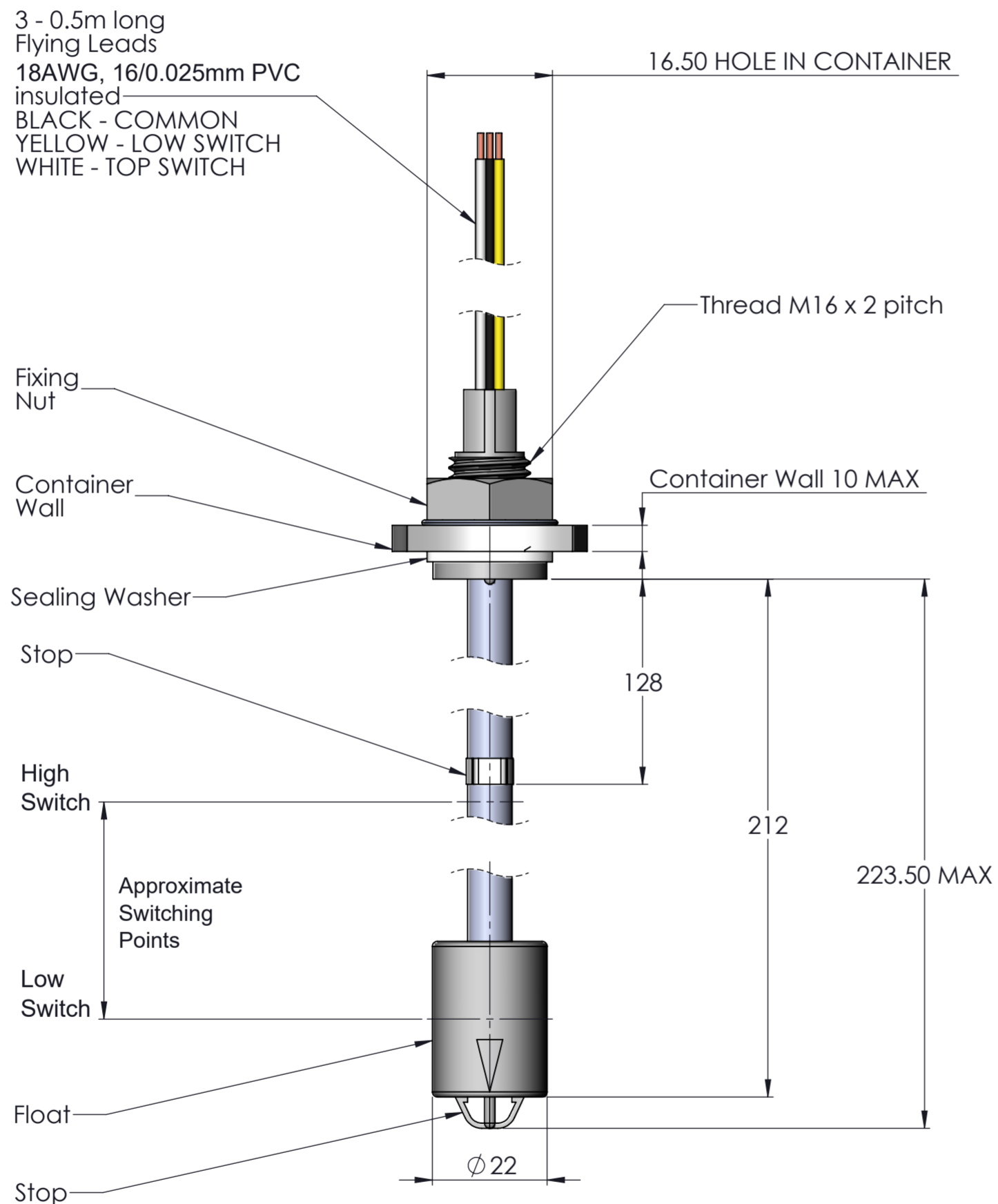
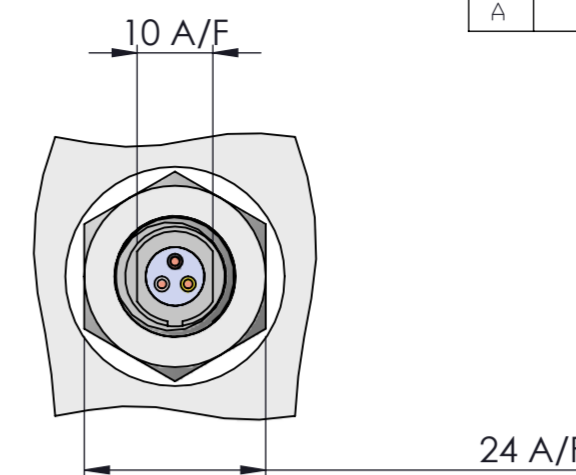
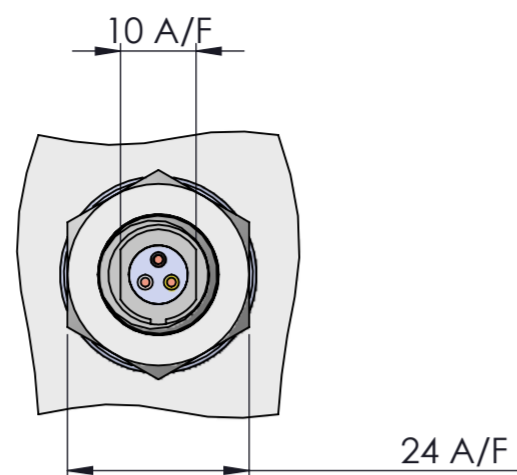


Wire Color Switch	Float Position		
	Low	Middle	High
Yellow	Closed	Open	Open
Blue	Closed	Closed	Open

REV	DESCRIPTION	DATE	DWN	APV/D
A	INITIAL RELEASE PER ECD 12172	06/11/2020	LH	JP

Mounting: Top & Bottom Entry  
 Material: PVC  
 Housing Material: PVC  
 Housing Colour: Grey  
 Float Material: PVC  
 Cable Colour: Yellow, Black, White  
 Sealing Components: Nitrile



INTERNAL FITTING

EXTERNAL FITTING

NOTE:

1. UNIVERSAL KIT TYPE SENSOR SUPPLIED IN A BAG WITH NUT, WASHER AND GROMMET LOOSE, FOR EITHER FIT OPTION ASSEMBLY.

THIS DRAWING IS A CONTROLLED DOCUMENT.		DWN L. HERNANDEZ 11/6/2020	 TE Connectivity
DIMENSIONS: mm		CHK R. COOPER 11/6/2020	
TOLERANCES UNLESS OTHERWISE SPECIFIED:		APV/D J. PENDLETON 11/19/2020	NAME EXTENDED VERTICAL LVL SENSOR EVS452-51
0 PLC ±.5 1 PLC ±.05 2 PLC ±.013 3 PLC ±.013 4 PLC ±.0001 ANGLES ±**		PRODUCT SPEC	
MATERIAL		FINISH	APPLICATION SPEC
-		-	WEIGHT
-		-	-
-		-	CUSTOMER DRAWING
-		-	SCALE 1:2
-		-	SHEET 1 OF 1
-		-	REV A
-		-	RESTRICTED TO
-		-	A200779C-20017776-00