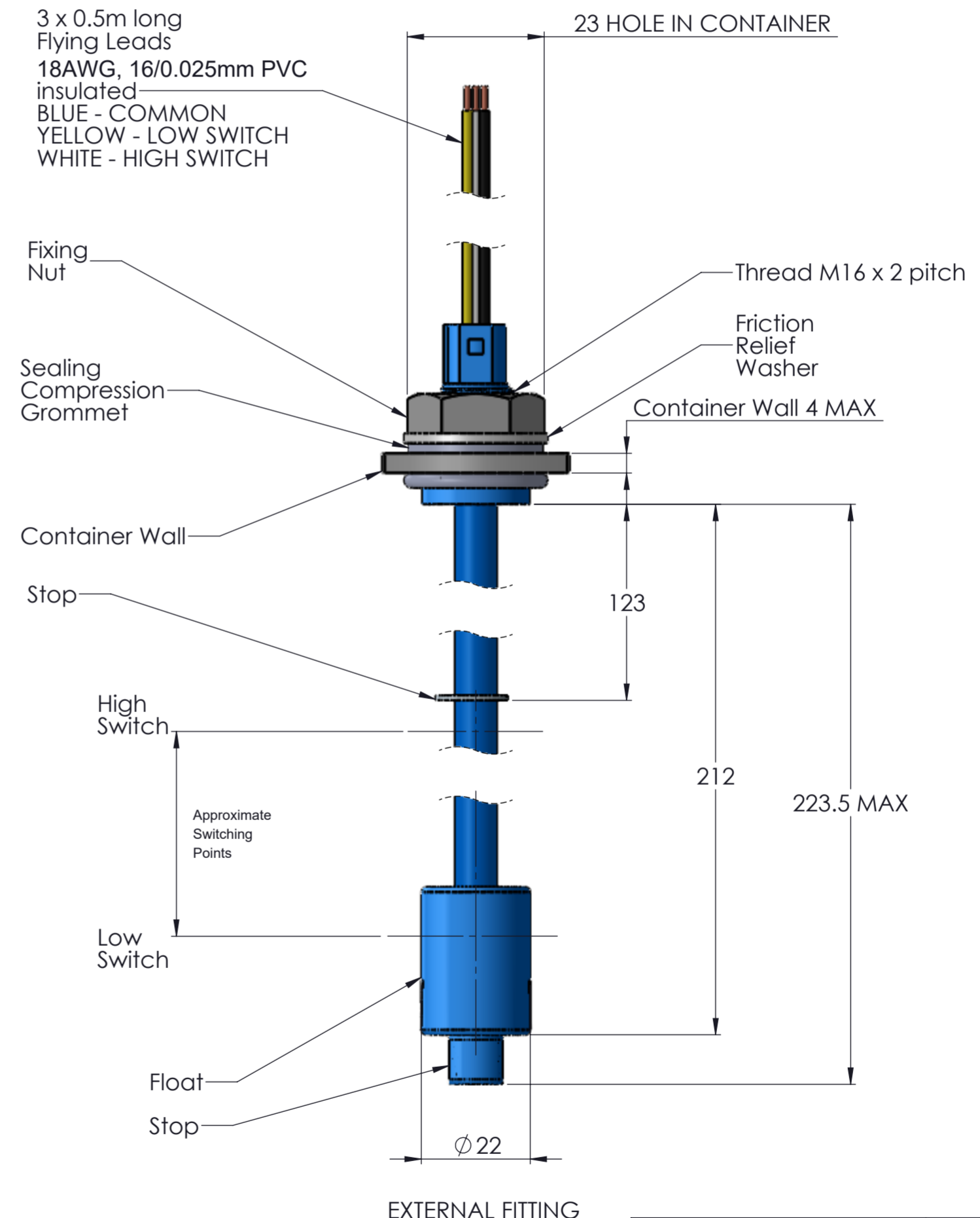
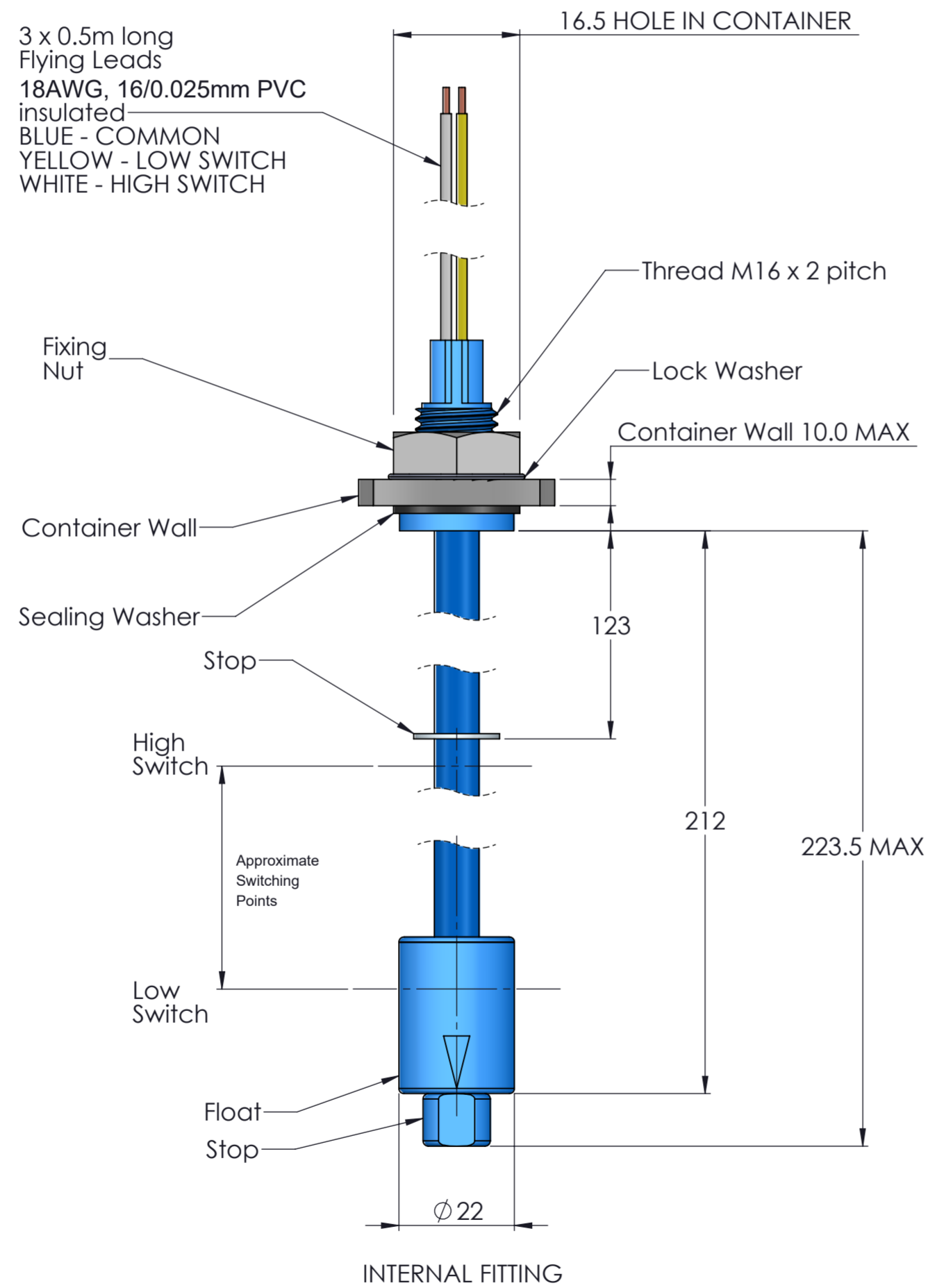
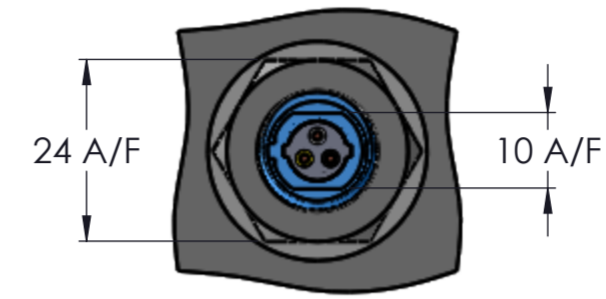
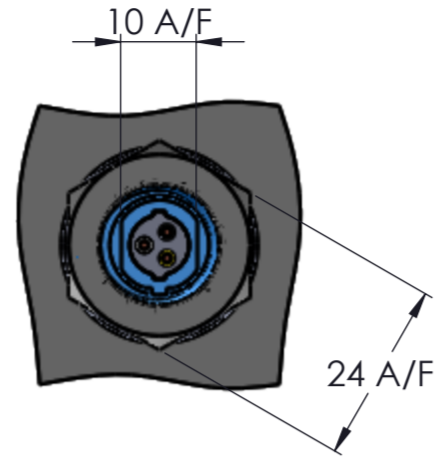


Wire Color Switch	Float Position		
	Low	Middle	High
Yellow	Closed	Open	Open
Blue	Closed	Closed	Open

Mounting: Top & Bottom Entry
 Material: Nylon 6.6
 Housing Material: Glass Filled Nylon 6.6
 Housing Colour: Blue
 Float Material: Glass Filled Nylon 6.6
 Cable Colour: Yellow, Blue, White
 Sealing Components: Nitrile



NOTE:

1. UNIVERSAL KIT TYPE SENSOR SUPPLIED IN A BAG WITH NUT, WASHER AND GROMMET LOOSE, FOR EITHER FIT OPTION ASSEMBLY.

DIMENSIONS:		TOLERANCES UNLESS OTHERWISE SPECIFIED:	
mm		0 PLC	0.5
		1 PLC	0.13
		2 PLC	0.013
		3 PLC	0.0013
		4 PLC	0.0001
ANGLES ±			
SURFACE TEXTURE		√	

DWN	L Hernandez	MATERIAL		WEIGHT	kg
CHK	R Cooper				
APVD	J Pendleton				
NAME	EVS312-51N VERTICAL LEVEL SENSOR M16				
SCALE	1:1	SIZE	A2	DRAWING NO	20017775-00
		SHEET	1	OF	1
		REV			A