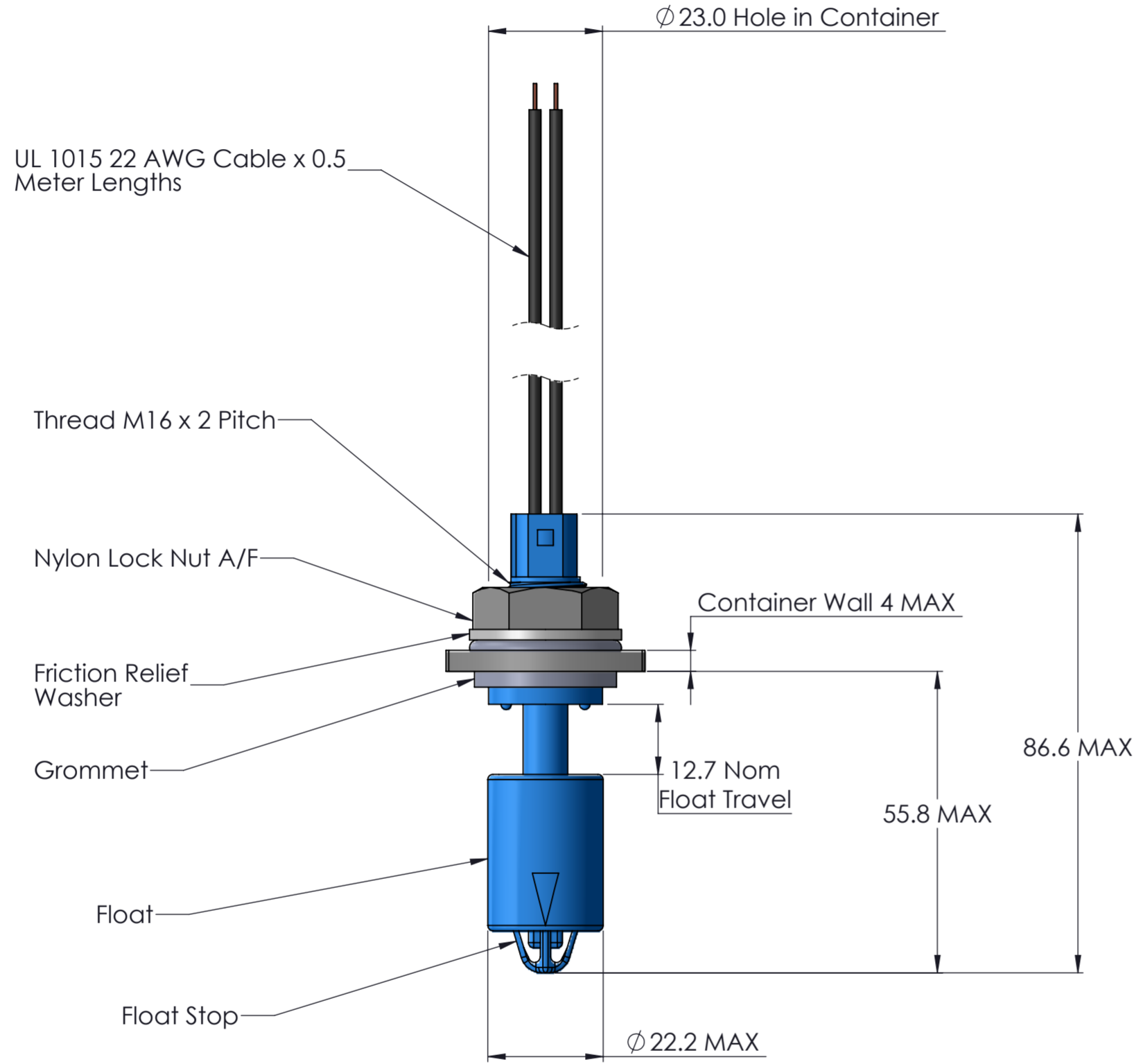
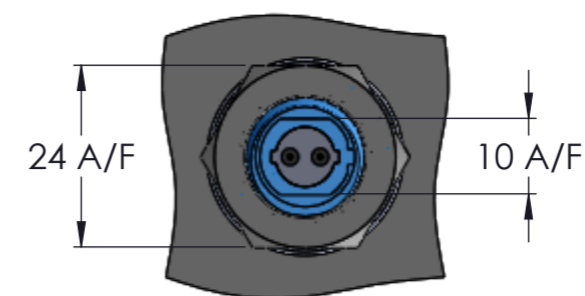
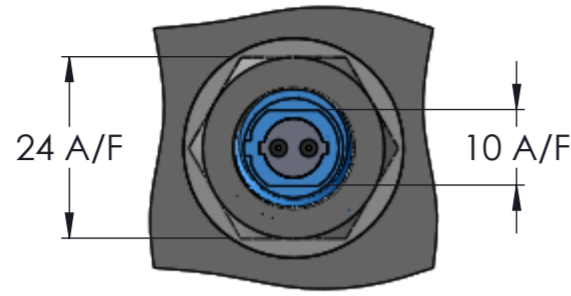
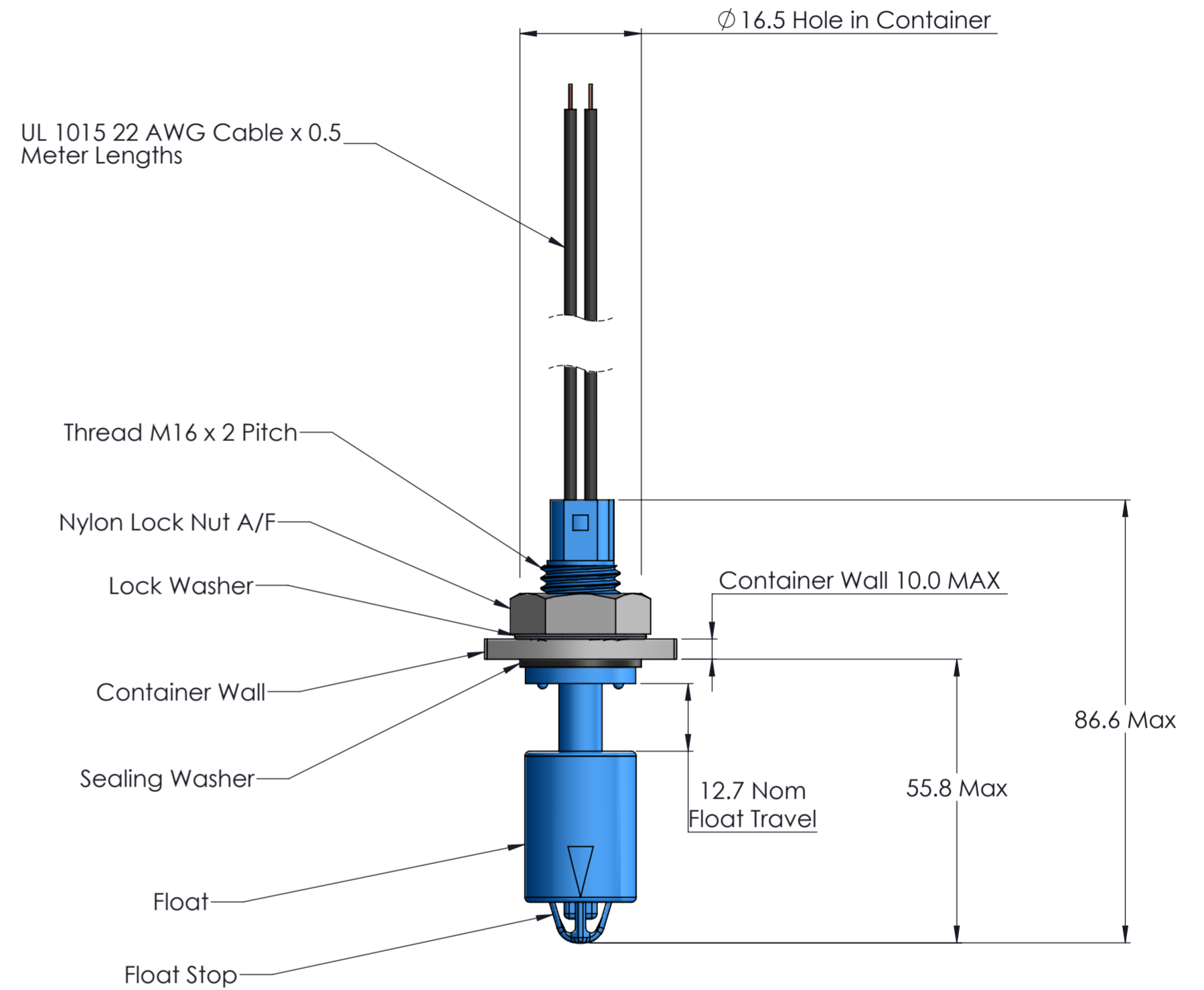


Mounting: Top & Bottom Entry
 Material: Nylon 6.6
 Housing Material: Glass Filled Nylon 6.6
 Housing Colour: Blue
 Float Material: Glass Filled Nylon 6.6
 Connection Type: Stripped Cables
 Cable Type: 2 x 22AWG 16/0.2mm PVC insulated 0.5m long to UL/CSA/BS6361
 Cable Colour: Black/Black
 Sealing Components: Nitrile



External Fitting



Internal Fitting

NOTE

1. UNIVERSAL KIT TYPE SENSOR SUPPLIED IN A BAG WITH NUT, WASHER AND GROMMET LOOSE, FOR EITHER FIT OPTION ASSEMBLY.
2. FLOAT SHOWN WITH ORIENTATION MARK IS NORMALLY OPEN, ORIENTATION MAY BE MIRRORED TO BE NORMALLY CLOSED.

DIMENSIONS:		TOLERANCES UNLESS OTHERWISE SPECIFIED:	
mm		0 PLC	± 0.5
		1 PLC	± 0.13
		2 PLC	± 0.013
		3 PLC	± 0.013
		4 PLC	± 0.0001
ANGLES ±			
SURFACE TEXTURE		√	

DWN	L Hernandez	MATERIAL		WEIGHT	kg
CHK	R Cooper				
APVD	J Pendleton				
NAME	VS301-51N VERTICAL LEVEL SENSOR				
SCALE	1:1	SIZE	A2	DRAWING NO	20017769-00
SHEET	1	OF	1	REV	A