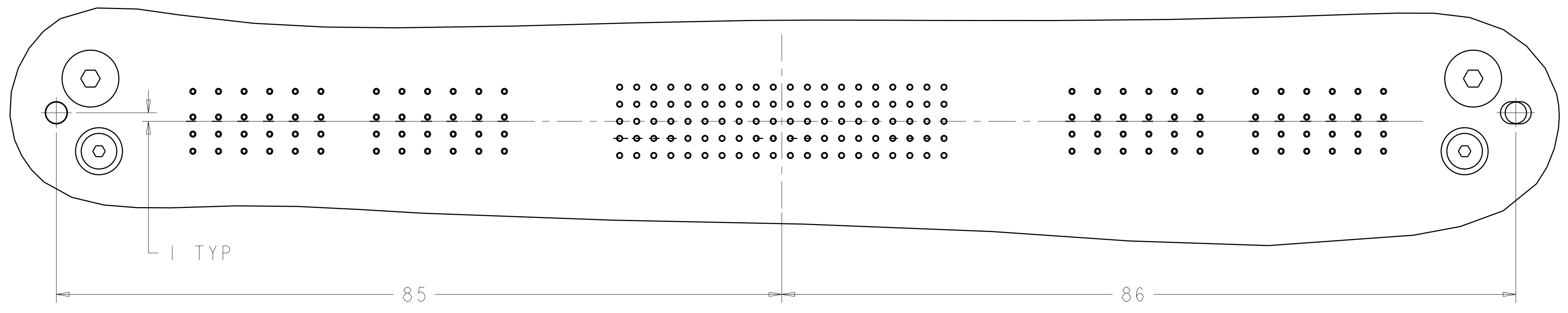
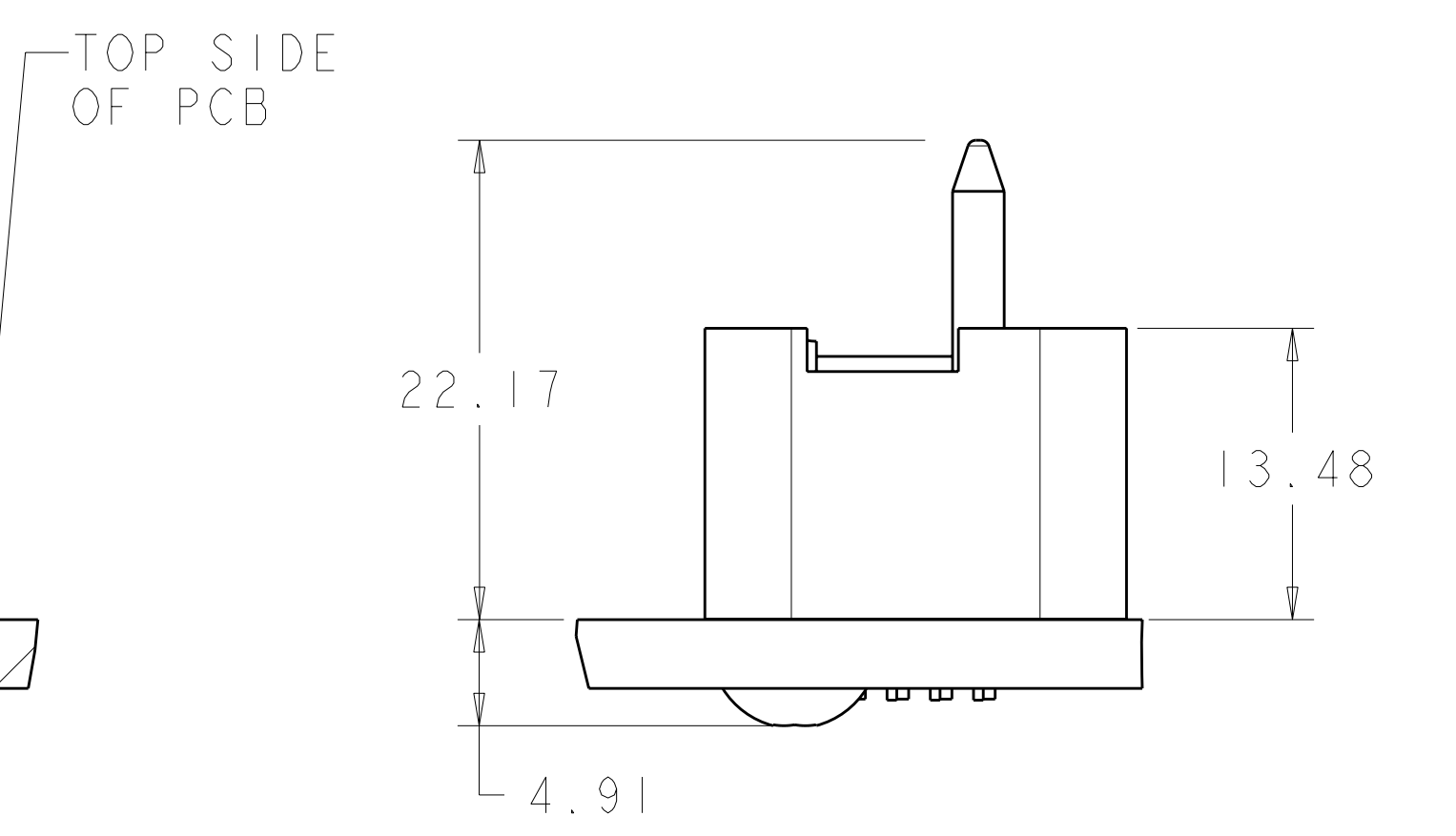
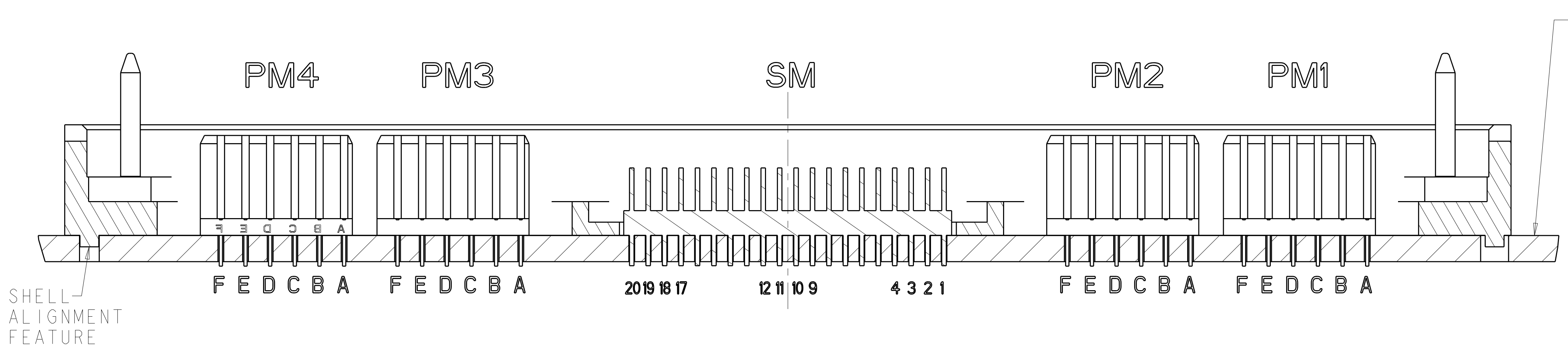
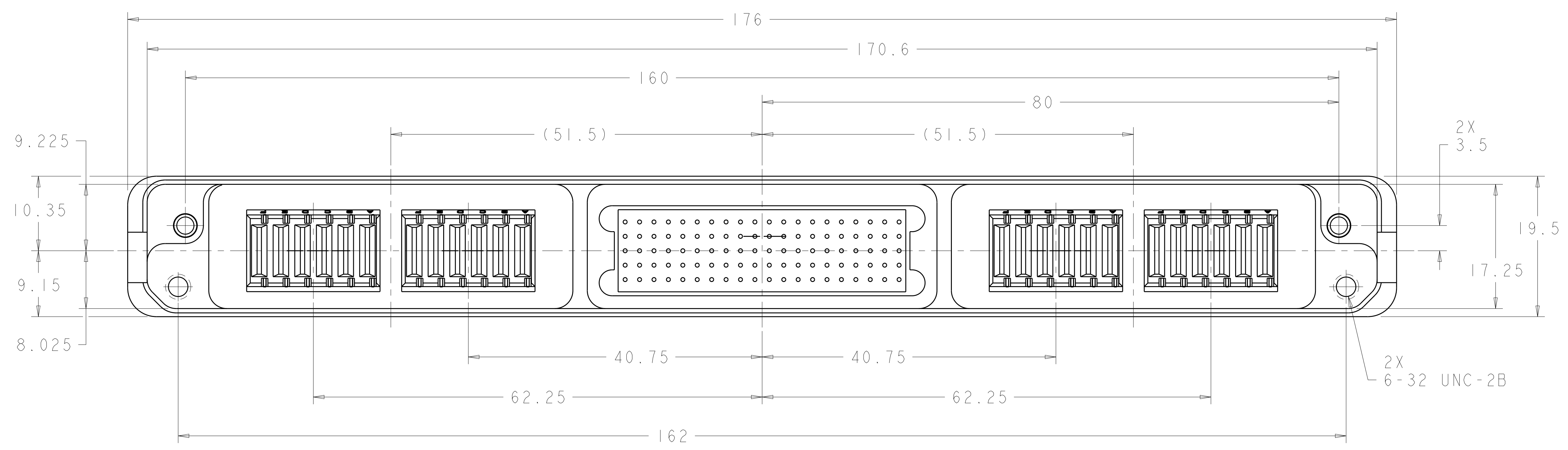


LOC	DIST	REVISIONS					
		P	LTB	DESCRIPTION	DATE	DWN	APVD
		A		RELEASED PER ECO 09-002061	1-30-09	CT	JW



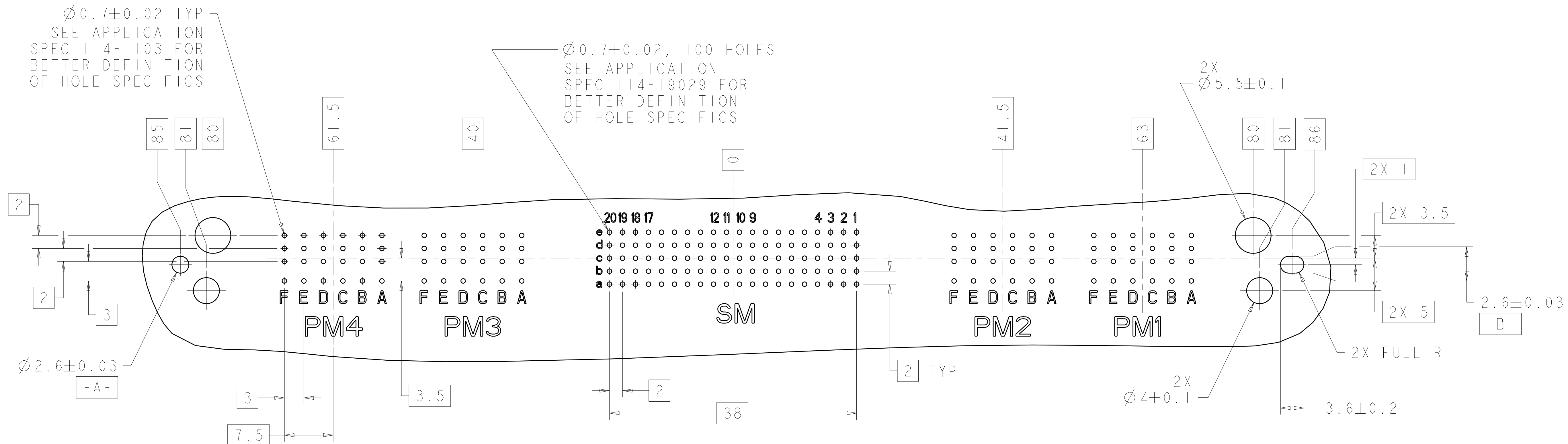
SUPERSEDED BY RESTRICTED CUSTOMER DRAWING

- PM = POWER MODULES AND SM = SIGNAL MODULE.
- MATING CONNECTOR FOR THIS CONNECTOR IS 2000222.

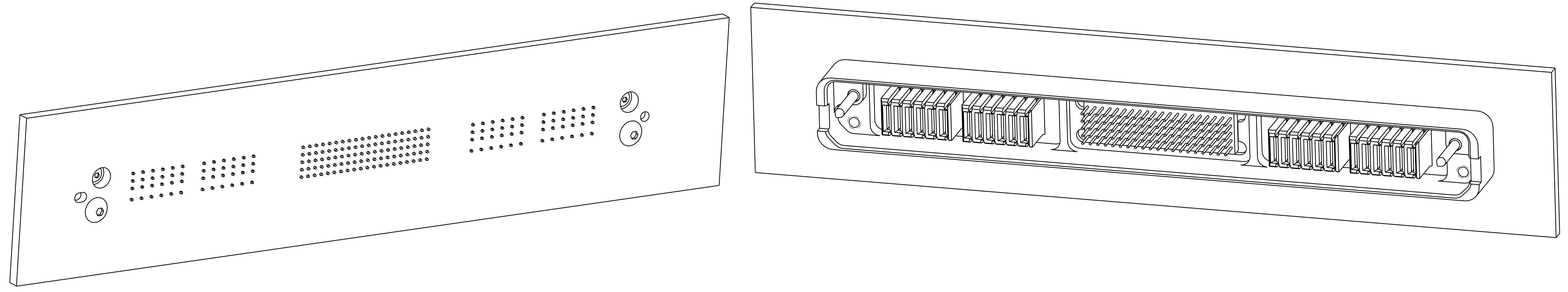
WARNING- This document contains technical data whose export is restricted by the Arms Export Control Act (Title 22, U.S.C. Sec 2751, et seq.) or the Export Administration Act of 1979, as amended (Title 50, U.S.C., App. 2401 et seq.). Violations of these export laws are subject to severe penalties.

DIMENSIONS:		TOLERANCES UNLESS OTHERWISE SPECIFIED:		DWN 20APR2007 Brent D. Toth		Tyco Electronics Harrisburg, PA 17105-3608	
mm	0 PLC ±	1 PLC ±	2 PLC ±	3 PLC ±	4 PLC ±	ANGLES ±	FINISH ±
MATERIAL							
CUSTOMER DRAWING				SIZE A	CAGE CODE 100779	DRAWING NO. C=2000223	RESTRICTED TO
				SCALE 1:1	SHEET 1	OF 2	REV A

LOC	DIST	REVISIONS			
P	LTB	DESCRIPTION	DATE	DWN	APVD
-	-	SEE SHEET 1	-	-	-



RECOMMENDED PC BOARD HOLE LAYOUT
 AS VIEWED FROM TOP OF PC BOARD



SUPERSEDED BY RESTRICTED CUSTOMER DRAWING

WARNING- This document contains technical data whose export is restricted by the Arms Export Control Act (Title 22, U.S.C. Sec 2751, et seq.) or the Export Administration Act of 1979, as amended (Title 50, U.S.C., App. 2401 et seq.). Violations of these export laws are subject to severe penalties.

<small>THIS DRAWING IS UNPUBLISHED. RELEASED FOR PUBLICATION. BY TYCO ELECTRONICS CORPORATION, ALL RIGHTS RESERVED.</small>		DWN: 20APR2007 Brent D. Toth CHK: 26FEB2008 HUNG T. NGUYEN APVD: 26FEB2008 HUNG T. NGUYEN PRODUCT SPEC: - APPLICATION SPEC: - WEIGHT: - CUSTOMER DRAWING: -	Tyco Electronics Harrisburg, PA 17105-3608 NAME: CONCEPT, MOTHER BOARD CONNECTOR, HSR/LRU, UNSEALED, VERTICAL, W/ 24 POWER AND 100 2mm HM CONTACTS SIZE: A 00779 C=2000223 SCALE: 3:1 SHEET 2 OF 2 REV A
DIMENSIONS: mm 	TOLERANCES UNLESS OTHERWISE SPECIFIED: 0 PLC ± 1 PLC ± 2 PLC ± 3 PLC ± 4 PLC ± ANGLES ± FINISH ±	MATERIAL: - FINISH: -	RESTRICTED TO: -