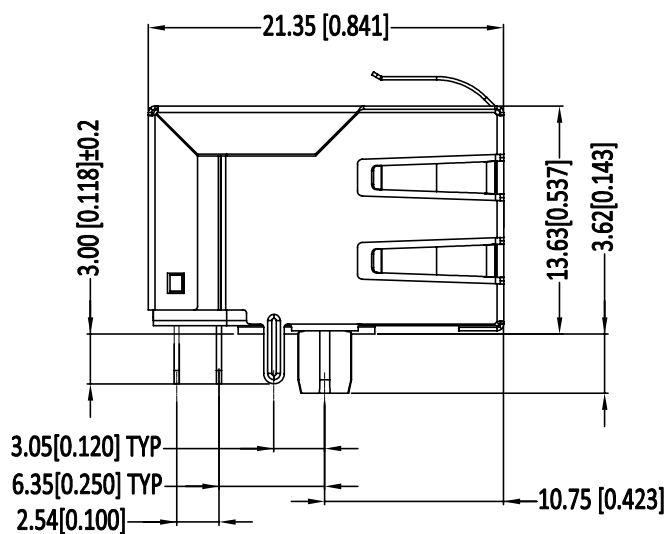
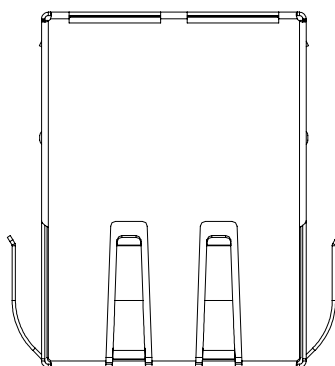
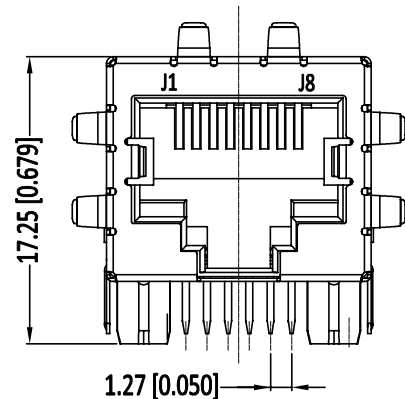
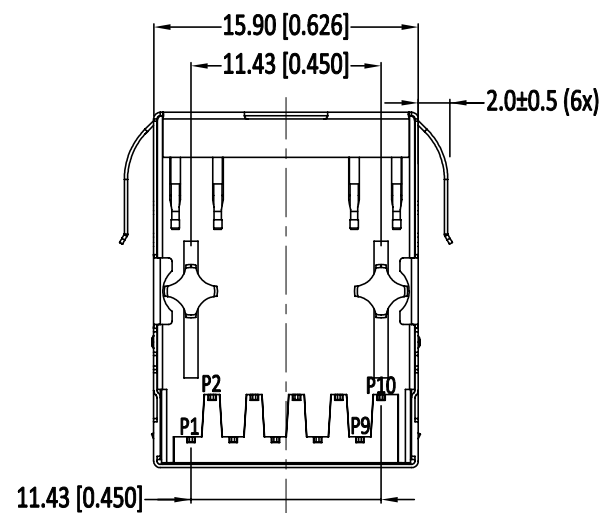
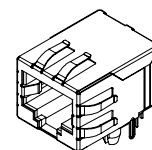


| P | LTR | DESCRIPTION | DATE | DWN | APVD |
|---|-----|-------------------------------------|-----------|-----|------|
| | A2 | RETURN LOSS SPECIFICATION CORRECTED | 02JUN2021 | SS | OW |



- 1 CONNECTOR MATERIAL:
 HOUSING: LCP BLACK UL94 V-0
 INSERT: LCP BLACK UL94 V-0
 SHIELD: BRASS
 SHIELD PLATING: NICKEL
 CONTACT: COPPER ALLOY
 CONTACT PLATING: SELECTIVE GOLD, MIN. 0.76µm (30µinch) IN CONTACT AREA
 OVER MIN. 1.27µm (50µinch) NICKEL
 SOLDER PIN PLATING: 3.05µm (120µinch) TIN OVER 1.27µm (50µinch) NICKEL
 OVER ALL
 SHIELDING PIN PLATING: NICKEL
- 2 PIN NOT ELECTRICALLY CONNECTED MAYBE OMITTED SEE ELECTRICAL CIRCUIT DIAGRAM FOR OMITTED PINS
- 3 RJ45 CAVITY DIMENSION CONFORM TO FCC PART 68
- 4 THE PART IS RECOMMENDED FOR REFLOW SOLDERING PROCESS PEAK SOLDERING: TEMPERATURE MAX. +260°C, MAX. 10s
- 5 OPERATING TEMPERATURE: T= -40°C TO +85°C
- 6 STORAGE TEMPERATURE: T= -40°C TO +85°C
- 7 UNLESS OTHERWISE SPECIFIED, SEE TABLE FOR ALL DIMENSIONS TOLERANCES
- 8 JACK CONFIGURATION: 1 x 1
 TAB DIRECTION: DOWN
- 9 AUTOMATED PLACEMENT: FOR FORCE-FREE ASSEMBLY WITHOUT THE ALIGNMENT FUNCTION WIDEN TO MIN. 3.40 mm DIAMETER
- 10 PACKAGING: REEL (T+R) ACCORDING TO PACKAGING SPECIFICATION 107-18116



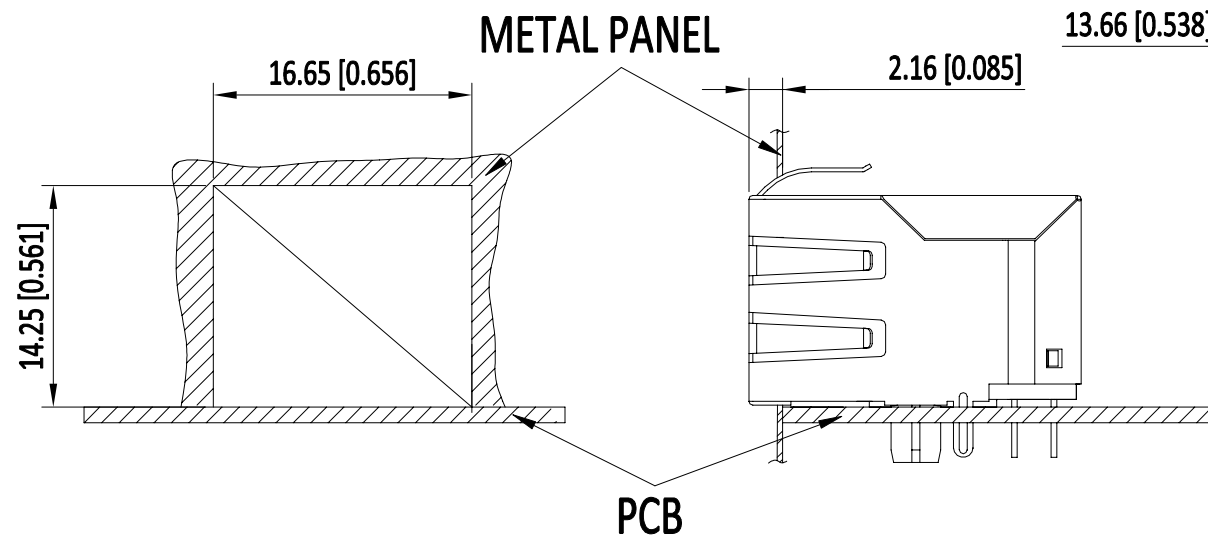
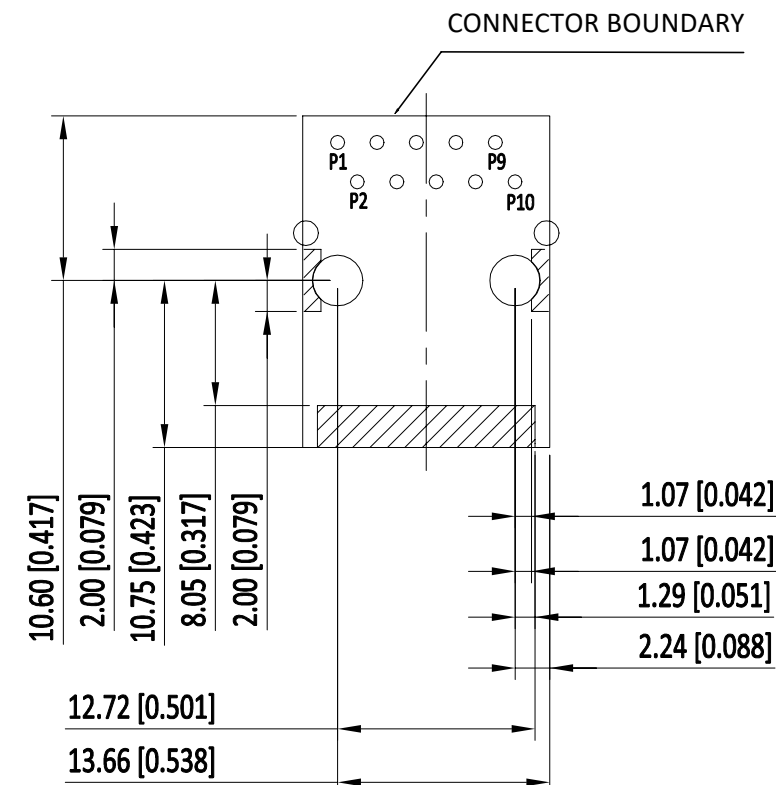
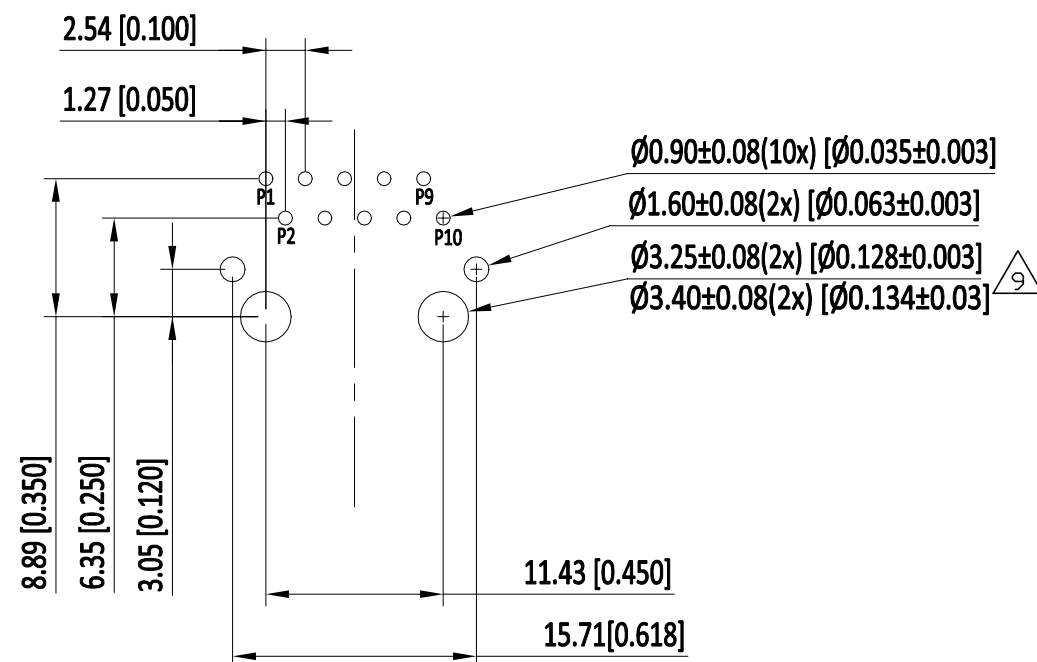
1:1

| TABLE OF TOLERANCE (mm) | |
|-------------------------|-----------|
| RANGE | TOLERANCE |
| 0-10 | ±0.15 |
| >10-40 | ±0.25 |
| >40-70 | ±0.30 |
| >70 | ±0.40 |

| | | | | |
|---|--|------------------------------------|------------------------------------|--------------------|
| THIS DRAWING IS A CONTROLLED DOCUMENT. | | DWN GANESH C M 27AUG2016 | TE Connectivity Ltd. | |
| | | CHK FRANZ MUELLER 27AUG2016 | | |
| | | APVD MARTIN SZELAG 27AUG2016 | NAME RJ45 JACK INT.MAG. 1Gb 1x1 | |
| DIMENSIONS: mm [INCHES] | | PRODUCT SPEC 108-94552 | | SIZE A3 |
| | | APPLICATION SPEC 114-94447 | | |
| MATERIAL 1 | | WEIGHT - | | CAGE CODE 00779 |
| TOLERANCES UNLESS OTHERWISE SPECIFIED: 0 PLC ± - 1 PLC ± - 2 PLC ± - 3 PLC ± - 4 PLC ± - ANGLES ± - FINISH 1 | | DRAWING NO C=2-2301994-1 | | RESTRICTED TO - |
| | | CUSTOMER DRAWING | | SCALE 3:1 |
| | | | | SHEET 1 of 3 |
| | | | | REV A2 |

| P | LTR | DESCRIPTION | DATE | DWN | APVD |
|---|-----|-------------|------|-----|------|
| - | - | SEE SHEET 1 | - | - | - |

SUGGESTED PCB LAYOUT



UNIT: mm / inch
TOLERANCES: $\pm 0.10 / 0.004$
ONLY FOR THIS VIEW

THIS DRAWING IS A CONTROLLED DOCUMENT.

| | |
|----------------------------|--|
| DIMENSIONS: mm [INCHES] | TOLERANCES UNLESS OTHERWISE SPECIFIED: |
| | 0 PLC $\pm -$ |
| | 1 PLC $\pm -$ |
| | 2 PLC $\pm -$ |
| | 3 PLC $\pm -$ |
| | 4 PLC $\pm -$ |
| | ANGLES $\pm -$ |
| MATERIAL | FINISH |
| | |

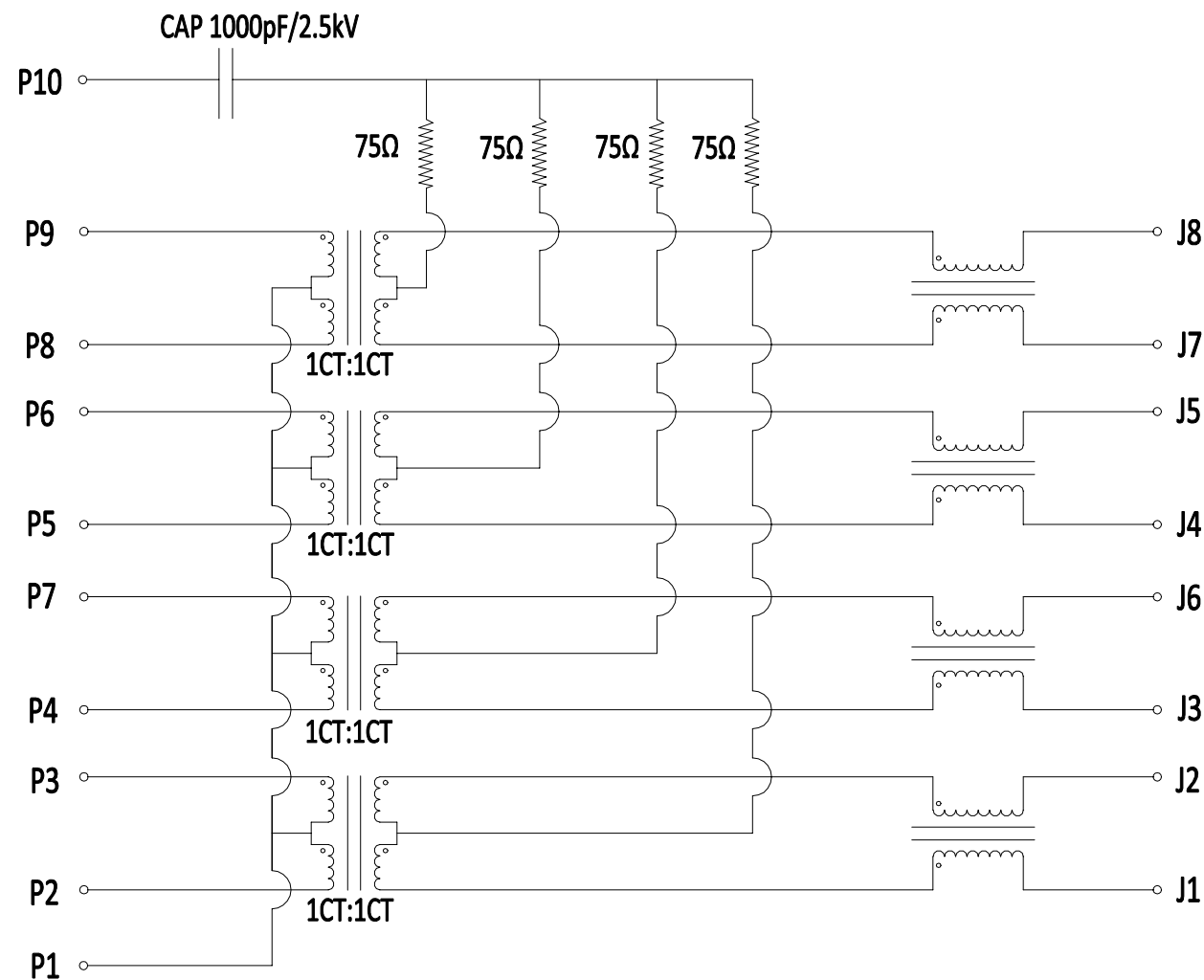
| | |
|------------------|-----------|
| DWN | 27AUG2016 |
| CHK | 27AUG2016 |
| APVD | 27AUG2016 |
| PRODUCT SPEC | |
| APPLICATION SPEC | |
| WEIGHT | |
| CUSTOMER DRAWING | |

TE TE Connectivity Ltd.

| | | | |
|----------------------------|-----------|---------------|---------------|
| NAME | | | |
| RJ45 JACK INT.MAG. 1Gb 1x1 | | | |
| SIZE | CAGE CODE | DRAWING NO | RESTRICTED TO |
| A3 | 00779 | C=2-2301994-1 | - |
| SCALE | SHEET | REV | |
| 3:1 | 2 of 3 | A2 | |

| P | LTR | DESCRIPTION | DATE | DWN | APVD |
|---|-----|-------------|------|-----|------|
| - | - | SEE SHEET 1 | - | - | - |

ELECTRICAL CIRCUIT DIAGRAM



- TURN RATIO @100kHz: (P2~P3):(J1~J2) = 1:1±2%
 (P4~P7):(J3~J6) = 1:1±2%
 (P5~P6):(J4~J5) = 1:1±2%
 (P8~P9):(J7~J8) = 1:1±2%
- PRIMARY INDUCTANCE: 350μH MIN. @100kHz, 0.1V 8mA DC BIAS
- DC RESISTANCE: 1.2 OHMS MAX.
- INSERTION LOSS: 1-100MHz -1.0dB MAX.
 100-125MHz -1.2dB MAX.
- RETURN LOSS: 1-40MHz -16dB MIN.
 40-100MHz -10dB+20log(f/80MHz) MIN.
- CROSS TALK: 1-100MHz -30dB MIN.
- COMMON TO COMMON MODE ATTENUATION: 1-100MHz -30dB MIN.
- ISOLATION: PHY SIDE TO LINE SIDE: 2250VDC

2-2301994-1
WWYY-xxxx

TE

FCC

CONTROL CODE
DATE CODE
"0213"
YY-YEAR
WW-WEEK

| | | | | |
|---|--|------------------------------------|------------------------------------|-------------------------------|
| THIS DRAWING IS A CONTROLLED DOCUMENT. | | DWN GANESH C M 27AUG2016 | TE TE Connectivity Ltd. | |
| | | CHK FRANZ MUELLER 27AUG2016 | | |
| DIMENSIONS: mm [INCHES] | | APVD MARTIN SZELAG 27AUG2016 | NAME RJ45 JACK INT.MAG. 1Gb 1x1 | |
| TOLERANCES UNLESS OTHERWISE SPECIFIED: 0 PLC ± - 1 PLC ± - 2 PLC ± - 3 PLC ± - 4 PLC ± - ANGLES ± - | | PRODUCT SPEC 108-94552 | | |
| MATERIAL 1 | | APPLICATION SPEC 114-94447 | SIZE A3 | CAGE CODE 00779 |
| FINISH 1 | | WEIGHT - | DRAWING NO C=2-2301994-1 | |
| CUSTOMER DRAWING | | | RESTRICTED TO - | SCALE 3:1 SHEET 3 OF 3 REV A2 |