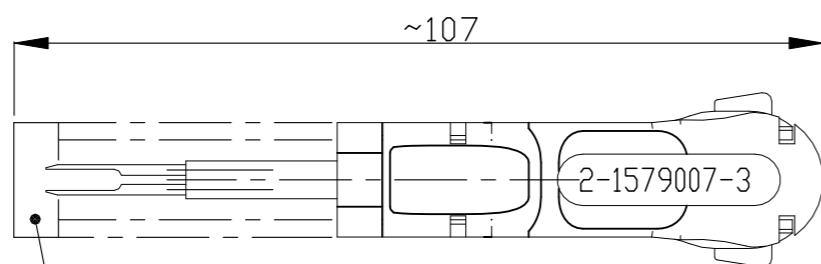
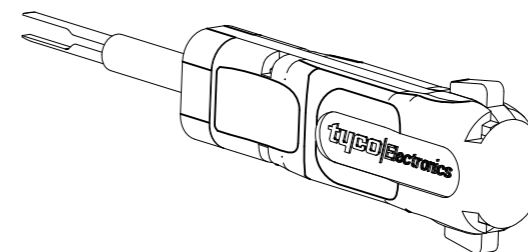
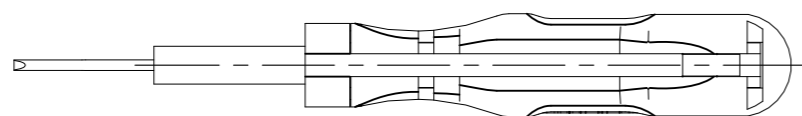
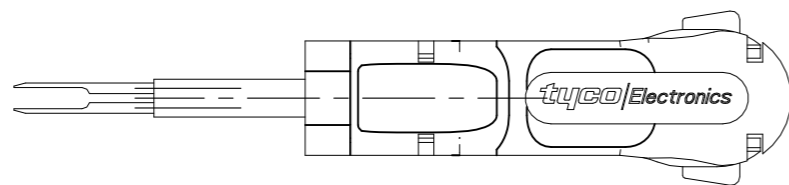



REVISIONS					
P	LTR	DESCRIPTION	DATE	DWN	APVD
	B	REVISED PER ECR-23-170504	27MAR2023	GK	BM



COVER
SLIDE
Schutzschieber

For contacts: JPT (for John Deere housing)
PN 927771 / PN 927768

Housing: PN 828787

THIS DRAWING IS A CONTROLLED DOCUMENT.		DWN J. ZAJICEK 16APR2003	 TE Connectivity		
DIMENSIONS: mm		CHK G. Stegmayer 05.06.2007			
TOLERANCES UNLESS OTHERWISE SPECIFIED: 0 PLC ± - 1 PLC ± - 2 PLC ± - 3 PLC ± - 4 PLC ± - ANGLES ± -		APVD -	NAME EXTRACTION TOOL Entriegelungswerkzeug		
MATERIAL -		FINISH -	PRODUCT SPEC -	APPLICATION SPEC -	RESTRICTED TO -
		WEIGHT -	SIZE A3	CAGE CODE 00779	DRAWING NO C-2-1579007-3
CUSTOMER DRAWING			SCALE 1:1	SHEET 1 OF 1	REV B