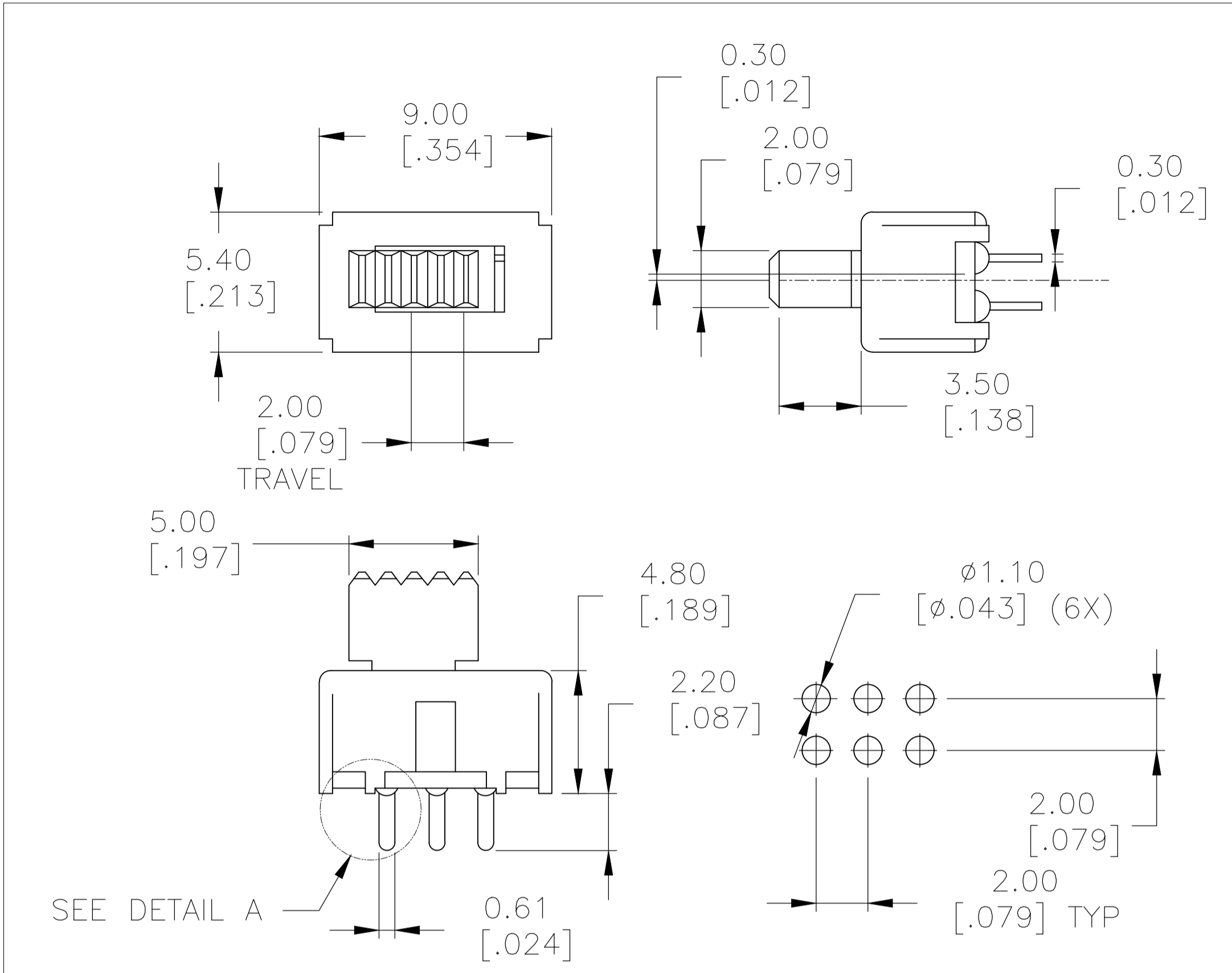
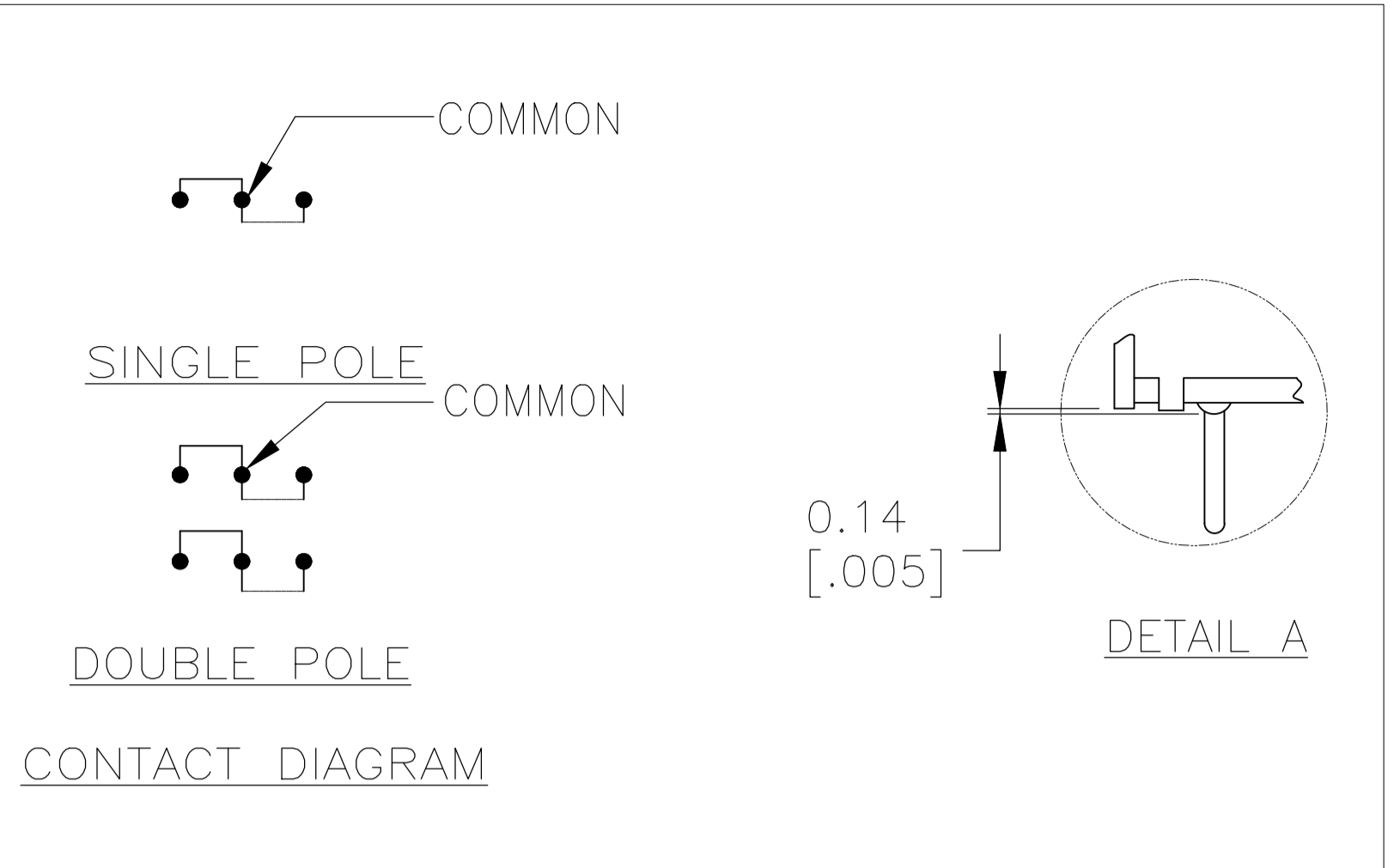


REVISIONS					
P	LTR	DESCRIPTION	DATE	DMN	APVD
C		REVISED PER ECR-14-001435	21JUL2016	RS	PO
D		REVISED PER ECO-16-018096	19JUL2017	RK	PO

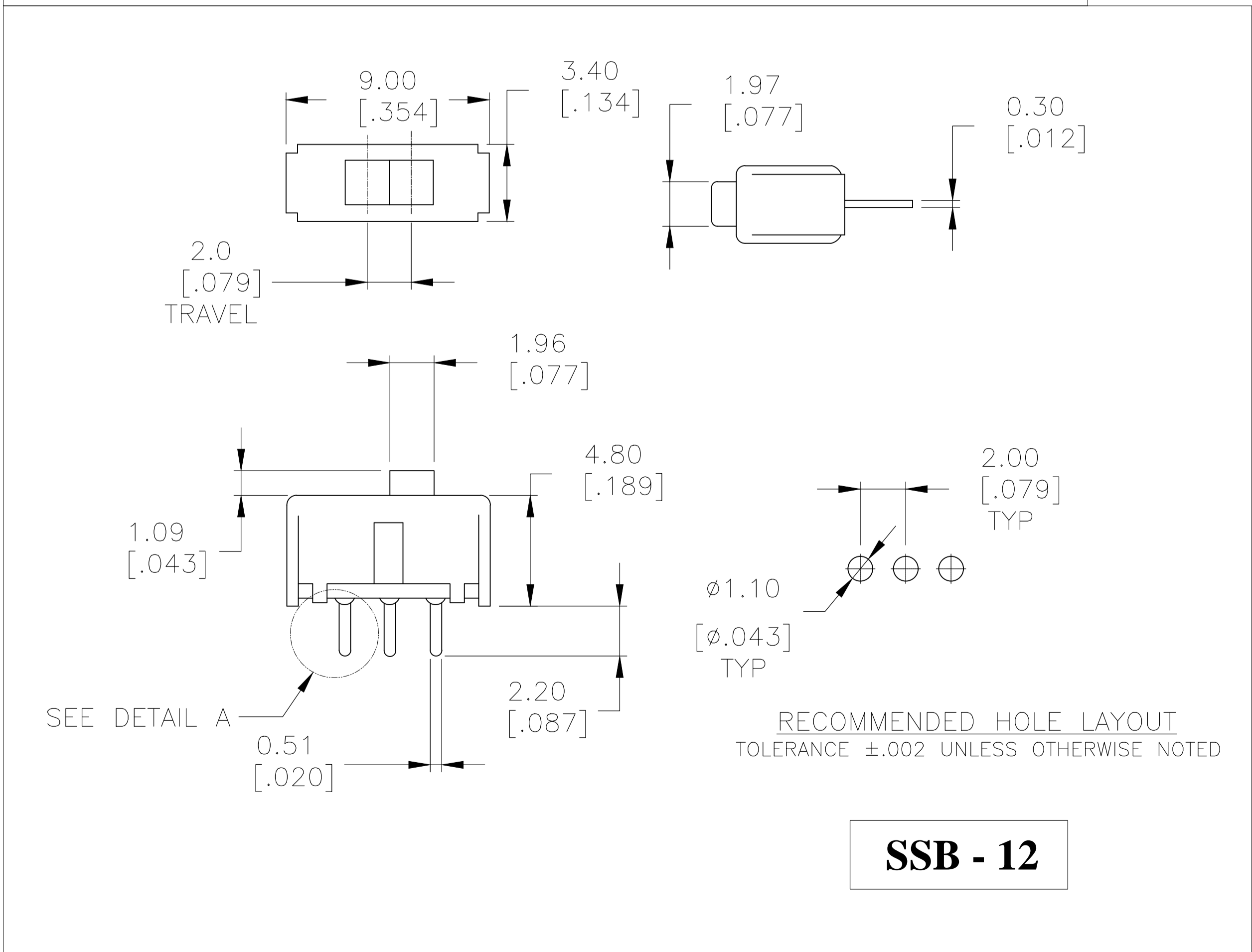


RECOMMENDED HOLE LAYOUT
TOLERANCE ±.002 UNLESS OTHERWISE NOTED

SSB 22



- NOTES:
- ALL MATERIALS AND FINISHES SHALL COMPLY WITH EU DIRECTIVE 2002/95/EC OF 27JAN2003 (ROHS).
 - SEE SHEET 2 OF 2 FOR SSB42 AND SSB**R PART NUMBERS.
- ⚠ OBSOLETE



RECOMMENDED HOLE LAYOUT
TOLERANCE ±.002 UNLESS OTHERWISE NOTED

SSB - 12

SPECIFICATIONS:
MAKE BEFORE BREAK

MATERIALS:
FRAME, STEEL-PLATE TIN OVER NICKEL
TERMINAL BOARD, PHENOLIC, NATURAL
ACTUATOR, POM, UL94-HB, BLACK
MOVING CONTACT, COPPER ALLOY-PLATE SILVER OR GOLD OVER NICKEL
FIXED CONTACT/TERMINAL, COPPER ALLOY-PLATE SILVER OR GOLD OVER NICKEL

ELECTRICAL:
CONTACT RATING, (SILVER)100mA@30VDC, (GOLD) .4VA @ 20V DC
INITIAL CONTACT RESISTANCE, 30 MILLIOHMS MAX
FINAL CONTACT RESISTANCE, 100 MILLIOHMS MAX
INSULATION RESISTANCE, 100 MEGOHMS MIN.
DIELECTRIC STRENGTH, 500 V AC for 1 MINUTE

MECHANICAL:
ACTUATION FORCE, 250 +/-150 GRAMS
ACTUATION TRAVEL, .079
LIFE EXPECTANCY, 10,000 CYCLES

ENVIRONMENTAL:
OPERATING TEMPERATURE, -20 to +85 DEGREES C
STORAGE TEMPERATURE, -40 to +100 DEGREES C
HUMIDITY AND TEMPERATURE CYCLING PER EIA-364-31B, METHOD III (SILVER)
MIXED FLOWING GAS PER EIA-364-65A, CLASS IIIA, 20 DAYS (GOLD)
THERMAL SHOCK, PER EIA-364-32C, -40 to +100 DEGREES C
SOLDERABILITY, PER EIA-364-52, CLASS 2, CATEGORY 1, 95% MINIMUM COVERAGE
RESISTANCE TO SOLDER HEAT,
PER 109-202, CONDITION B (240 +/-5 C FOR 10 +2/-0 SECONDS)

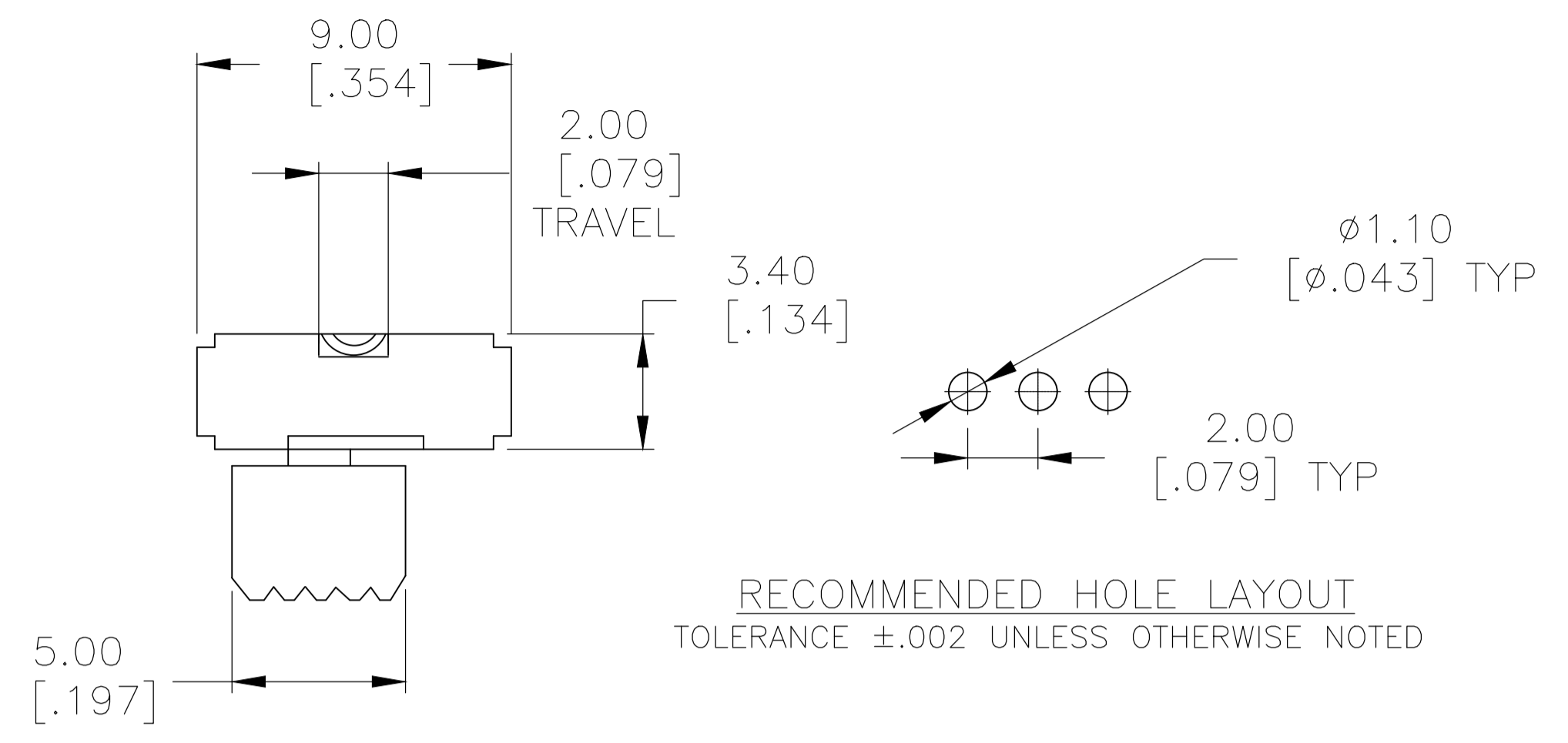
⚠	1-2, 4-5 7-8, 10-11	2-3, 5-6 8-9, 11-12	GOLD	4PDT	SSB42G	2-1437575-9
⚠	1-2, 4-5 7-8, 10-11	2-3, 5-6 8-9, 11-12	SILVER	4PDT	SSB42	2-1437575-8
⚠	1-2, 4-5	2-3, 5-6	GOLD	DPDT	SSB22RG	2-1437575-5
⚠	1-2, 4-5	2-3, 5-6	SILVER	DPDT	SSB22R	2-1437575-4
⚠	1-2, 4-5	2-3, 5-6	GOLD	DPDT	SSB22G	2-1437575-3
⚠	1-2, 4-5	2-3, 5-6	SILVER	DPDT	SSB22	2-1437575-2
⚠	1-2	2-3	GOLD	SPDT	SSB12RG	2-1437575-1
⚠	1-2	2-3	SILVER	SPDT	SSB12R	2-1437575-0
⚠	1-2	2-3	GOLD	SPDT	SSB12G	1-1437575-9
⚠	1-2	2-3	SILVER	SPDT	SSB12	1-1437575-8
	LEFT	RIGHT	PLATING	TYPE	ALCO P/N	TE P/N

THIS DRAWING IS A CONTROLLED DOCUMENT. DIN B.S.VISWESWARA 25SEP05

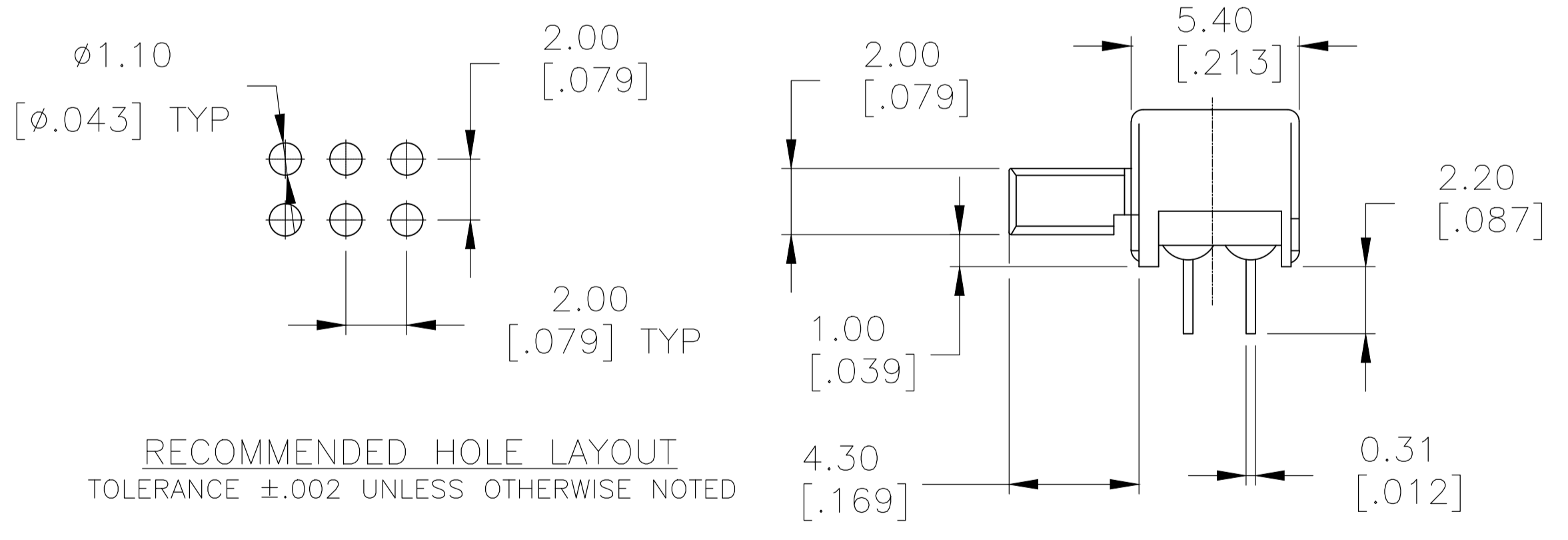
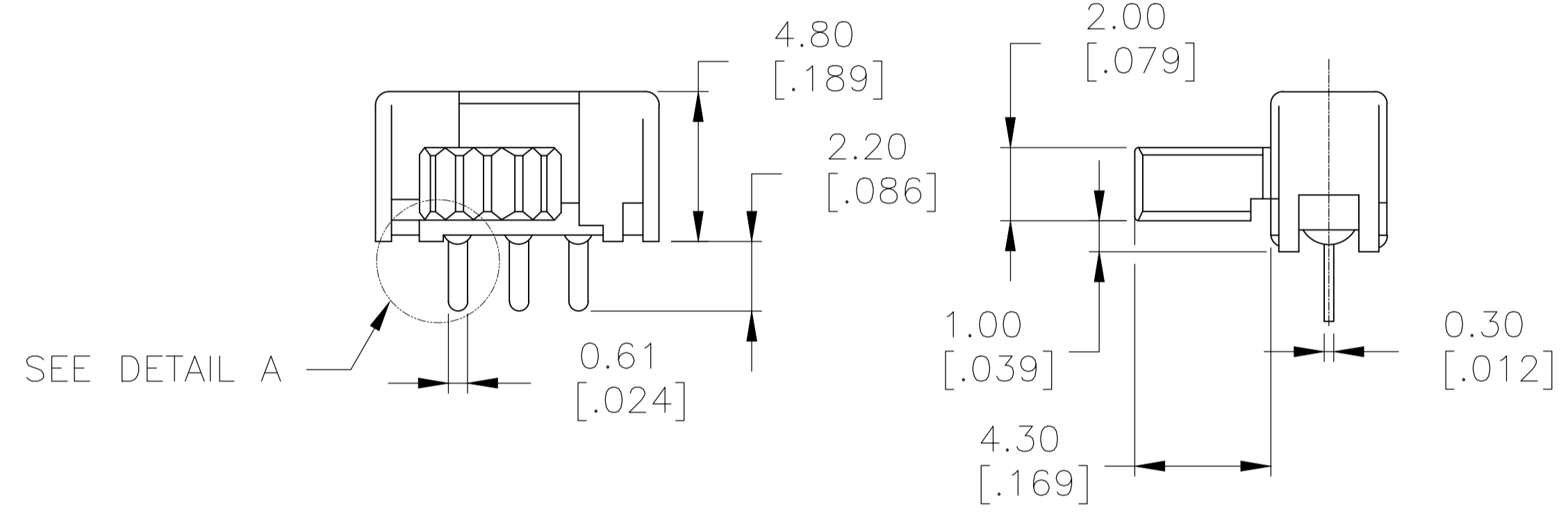
DIMENSIONS: mm [INCHES]	TOLERANCES UNLESS OTHERWISE SPECIFIED:	APVD	NAME
0 PLC ± -	1 PLC ± -		
2 PLC ± 0.25[.010]	3 PLC ± -		
4 PLC ± -	ANGLES ± 1'		
MATERIAL SEE ABOVE	FINISH -	WEIGHT	RESTRICTED TO
		A1 00779	2-1437575-3
CUSTOMER DRAWING		SCALE 6:1	SHEET 1 OF 2 REV D

STE TE Connectivity
SLIDE SWITCH, LOW PROFILE
SSB SERIES

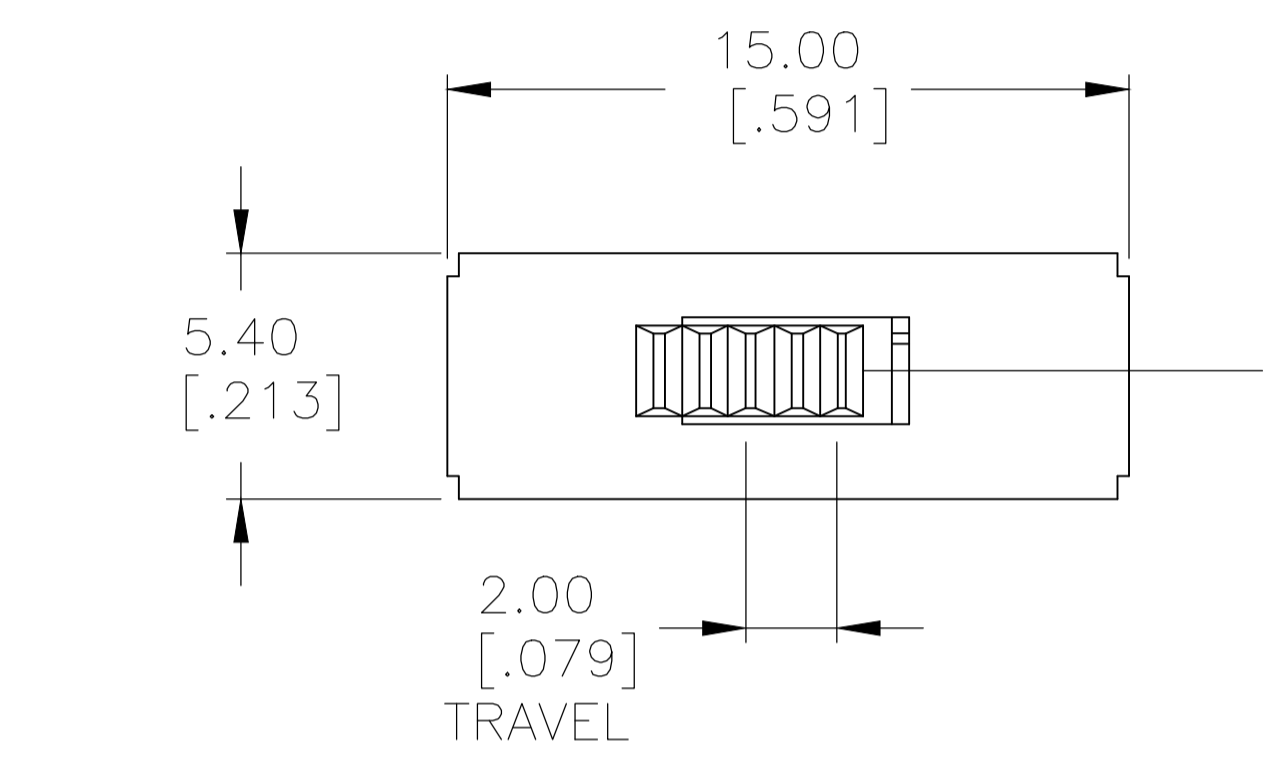
REVISIONS				
P	LTR	DESCRIPTION	DATE	APPD
-	-	SEE SHEET 1	-	-



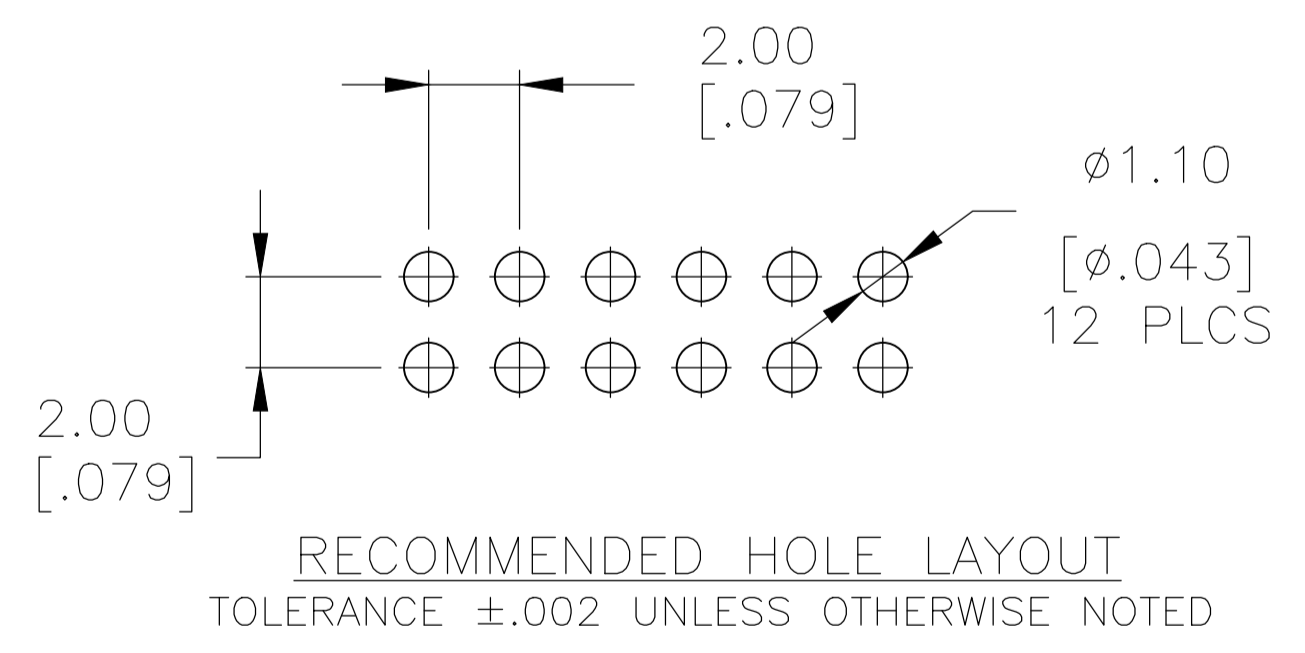
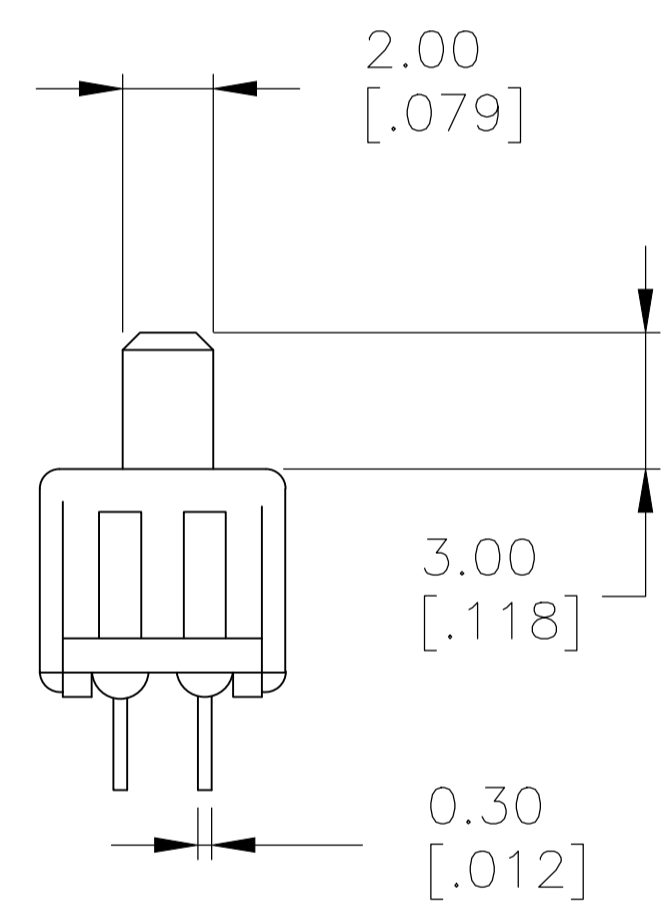
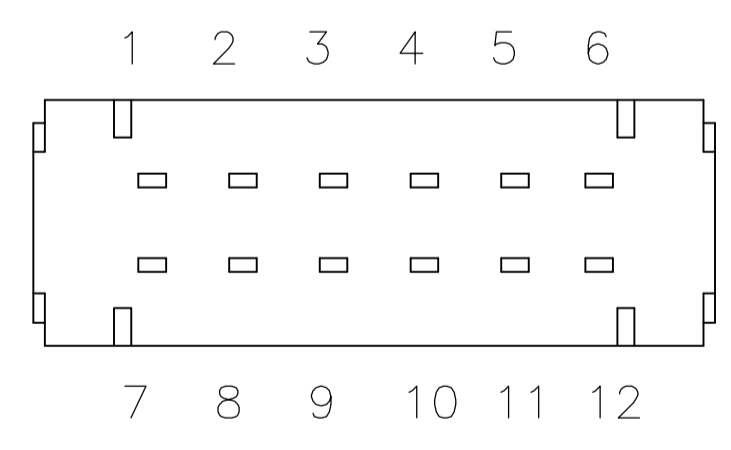
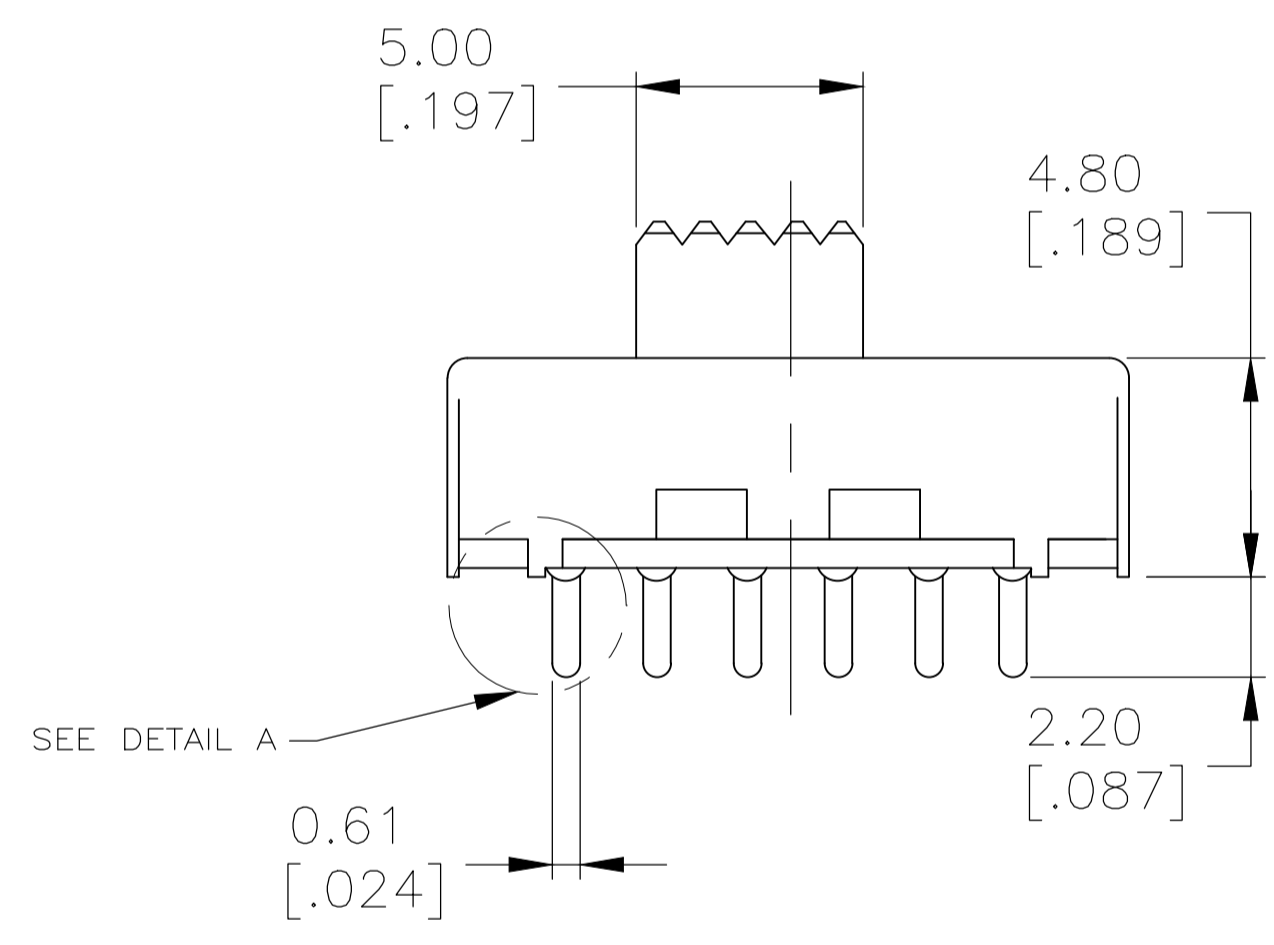
SSB -12R



SSB -22R



SSB-42



THIS DRAWING IS A CONTROLLED DOCUMENT.		DIN B.S.VISWESWARA 25SEP05		TE Connectivity	
DIMENSIONS: mm [INCHES]		TOLERANCES UNLESS OTHERWISE SPECIFIED:		NAME	
		0 PLC ± - 1 PLC ± - 2 PLC ± 0.25[.010] 3 PLC ± - 4 PLC ± - ANGLES ± 1°		PRODUCT SPEC	
MATERIAL: SEE ABOVE		FINISH: -		APPLICATION SPEC	
CUSTOMER DRAWING		SCALE 6:1		RESTRICTED TO	
SIZE A1		CAGE CODE 00779		DRAWING NO. 2-1437575-3	
SHEET 2		OF 2		REV D	