
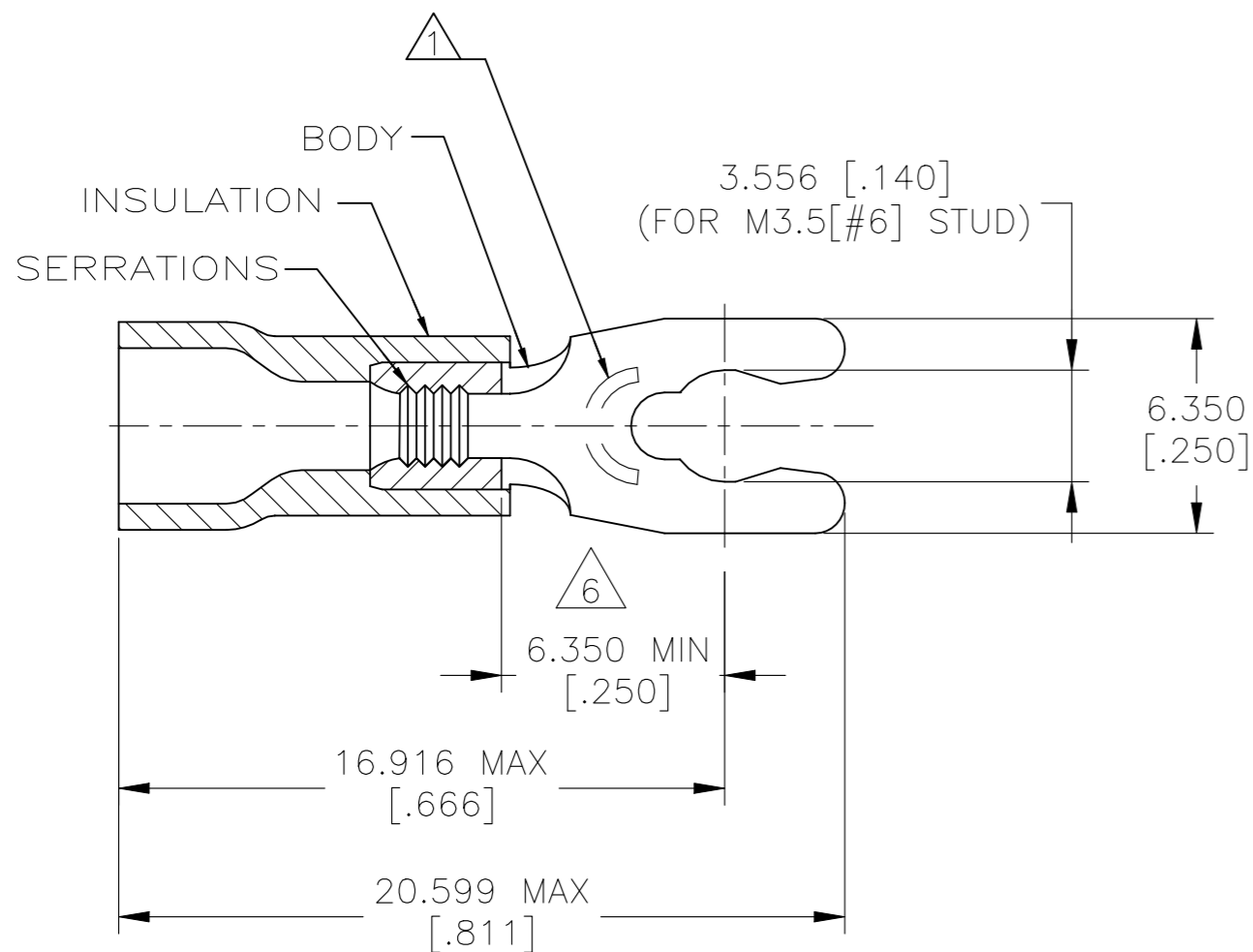


REVISIONS

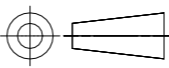


P	LTR	DESCRIPTION	DATE	DWN	APVD
	A	ECO-20-012219	22SEP2020	GK	DR

 Listed	 Certified
16-14 AWG SOLID OR STRANDED	16-14 AWG SOLID OR STRANDED



- 1 STAMP 6S AMP 16-14* APPROX AS SHOWN
- 2. WIRE INSULATION DIAMETER: $\phi 2.997 - 4.902$ [$\phi .118 - .193$]
- 3. BODY MATERIAL THK: 0.787 ± 0.051 [$.031 \pm .002$]
- 4 MATERIAL: BODY - BRASS PER ASTM B36
INSULATION - PVC
- 5 FINISH: BODY - TIN PLATE 0.00254 [$.000100$] MIN EXT THK PER ASTM B545
INSULATION COLOR - BLUE
- 6 APPLIES FROM EDGE OF METAL WIRE BARREL TO CENTER OF STUD HOLE

100	SDS025-035-V	1SET133006R0000	52955
QTY	DESIGNATION	ENTRELEC PN	TE PN

MAX RECOMMENDED OPERATING TEMPERATURE: 105°C [221° F] VOLTAGE RATING: 600V MAX (1000V FIXTURE OR SIGN) CIRCULAR MIL AREA: 1.04-2.62mm ² [2,050-5,180] SOLID OR STRANDED	THIS DRAWING IS A CONTROLLED DOCUMENT.		DWN 22SEP2020 GOPALAKRISHNA HV	ENTRELEC Electrical Solutions							
	DIMENSIONS: mm [INCHES]	TOLERANCES UNLESS OTHERWISE SPECIFIED:	CHK 22SEP2020 ROHDE DANIEL F					NAME			
		0 PLC ± - 1 PLC ± - 2 PLC ± - 3 PLC ± 0.127[.005] 4 PLC ± - ANGLES ± -	APVD 22SEP2020 ROHDE DANIEL F	PRODUCT SPEC			RESTRICTED TO				
	MATERIAL 	FINISH 	APPLICATION SPEC		SIZE	CAGE CODE		DRAWING NO			
		UL 486A-B		114-2161			A3 00779	C-1SET133006R0000	SCALE 6:1	SHEET 1 OF 1	REV A
		CUSTOMER DRAWING		WEIGHT -							