

THIS DRAWING IS UNPUBLISHED.

RELEASED FOR PUBLICATION

20

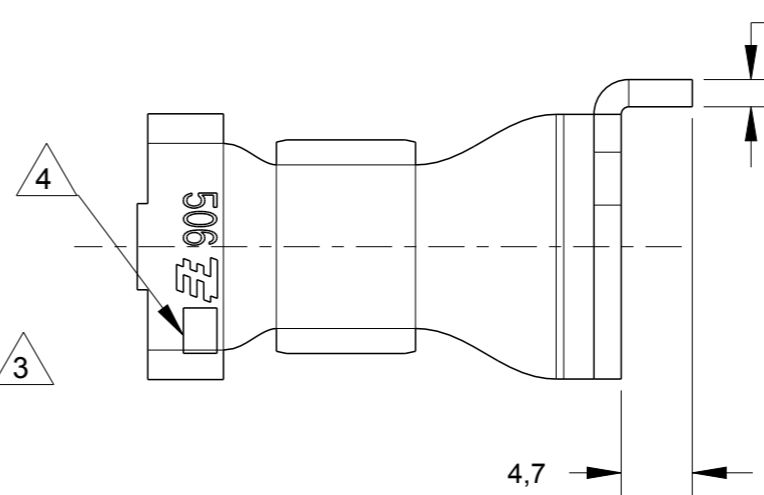
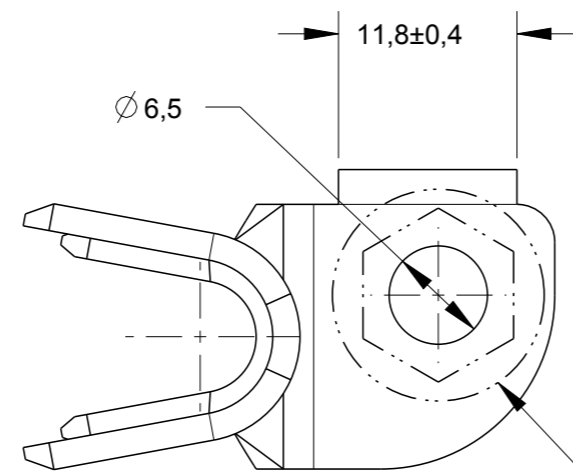
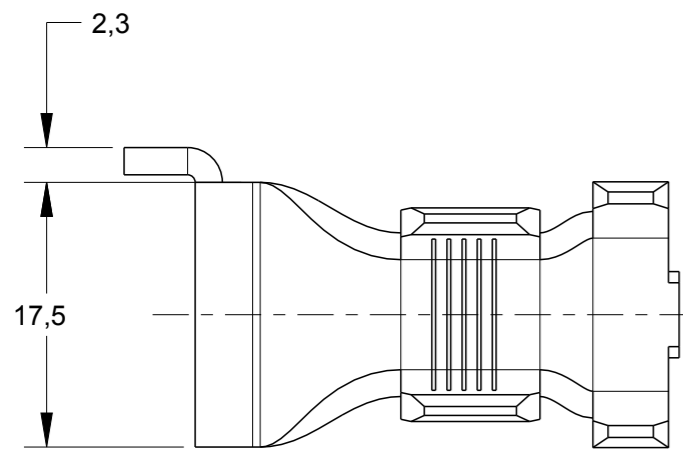
© COPYRIGHT20

ALL RIGHTS RESERVED.

LOC AP DIST -

REVISIONS

P	LTR	DESCRIPTION	DATE	DWN	APVD
	A	CHANGE STATUS ECO-11-023093	18NOV2011	NCL	MG
	A1	CHANGED BY ECO-12-010630	11JUN2012	FC	GB

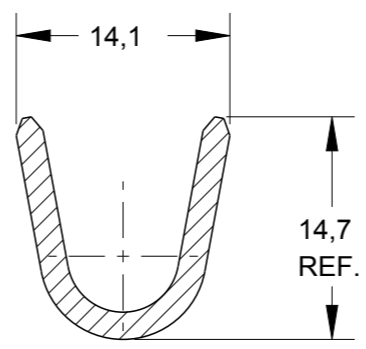
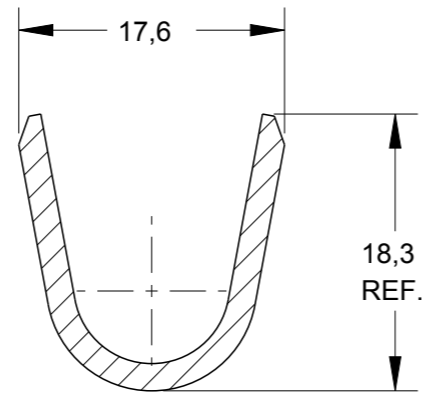
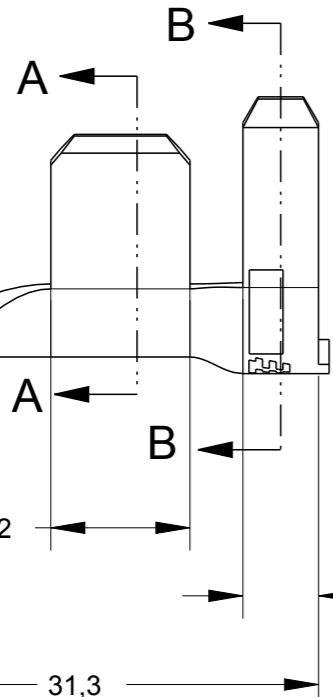


1 - É REQUERIDA A PRÉVIA APROVAÇÃO PELA ENGENHARIA DE PRODUTO TE PARA AUTORIZAÇÃO DE FORNECIMENTO DA PEÇA.  
 - TE PRODUCT ENGINEERING APPROVAL IS REQUIRED PRIOR TO AUTHORIZATION OF PART SUPPLY.

2 - MONTA COM TERMINAL DE BATERIA NEGATIVO, "QUICK CONNECTION" PN 1599923.  
 - MATES WITH NEGATIVE BATTERY TERMINAL, "QUICK CONNECTION" PN 1599923.

3 - SOQUETE PARA PARAFUSAMENTO PORCA M6, (Ø EXT. 14,0 TYP.); APENAS P/ ILUSTRAÇÃO DO ESPAÇO DISPONÍVEL.  
 - M6 NUT SCREWING SOCKET (EXT. DIA. 14.0 TYP); ONLY TO SHOWN AVAILABLE SPACE ILUSTRATION.

4 - LETRA DE REVISÃO DA PEÇA  
 PART REVISION LETTER



SECTION B-B

SECTION A-A

LOOSE PIECE	ESTANHADO/TIN PLATED	LATÃO/BRASS	1989860-6
LOOSE PIECE	NU / PLAIN	LATÃO/BRASS	1989860-5
LOOSE PIECE	ESTANHADO/TIN PLATED	LATÃO/BRASS	1989860-4
LOOSE PIECE	NU / PLAIN	LATÃO/BRASS	1989860-3
LOOSE PIECE	ESTANHADO/TIN PLATED	LATÃO/BRASS	1989860-2
LOOSE PIECE	NU / PLAIN	LATÃO/BRASS	1989860-1
SUPPLIED	FINISH	MATERIAL	PART NUMBER

WIRE RANGE	INSUL. RANGE
25 - 35mm <sup>2</sup>	Ø 8,5~11,5mm

THIS DRAWING IS A CONTROLLED DOCUMENT.

DIMENSIONS:	TOLERANCES UNLESS OTHERWISE SPECIFIED:
mm	0 PLC ±0,3
	1 PLC ±0,3
	2 PLC ±0,3
	3 PLC ±0,3
	4 PLC ±0,3
	ANGLES ±1°
MATERIAL	FINISH
SEE TABLE	SEE TABLE

DWN	08JUL2009
CHK	A.PERUSSI
CHK	12JUL2009
CHK	D.A.OLIVEIRA
APVD	12JUL2009
APVD	M.L.OGAWA
PRODUCT SPEC	-/-
APPLICATION SPEC	-/-
WEIGHT	-/-
CUSTOMER DRAWING	

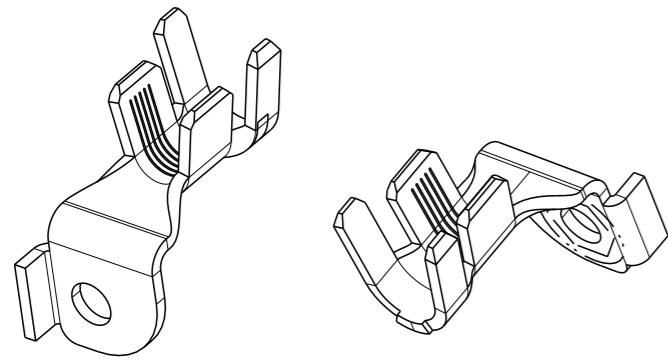
**TE** TE Connectivity

NAME: -

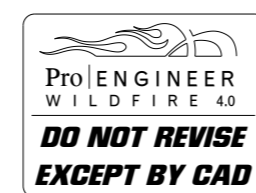
**TERMINAL RING TONGUE M6, 90°**

SIZE: **A3** CAGE CODE: - DRAWING NO: **C-1989860** RESTRICTED TO: -

SCALE: **2:1** SHEET: **1** OF **2** REV: **A1**



PERSPECTIVE VIEWS SCALE 1:1

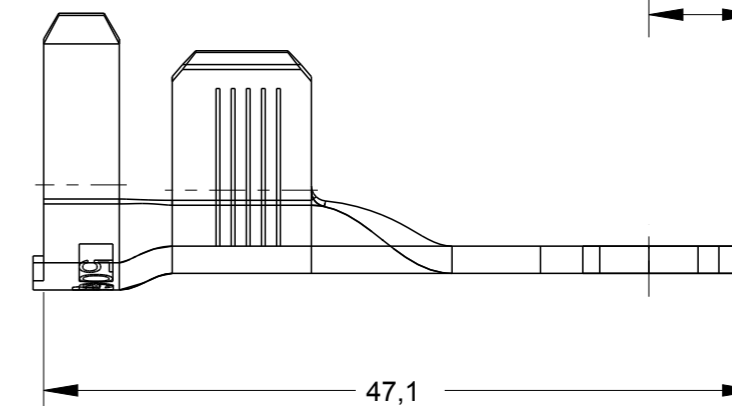
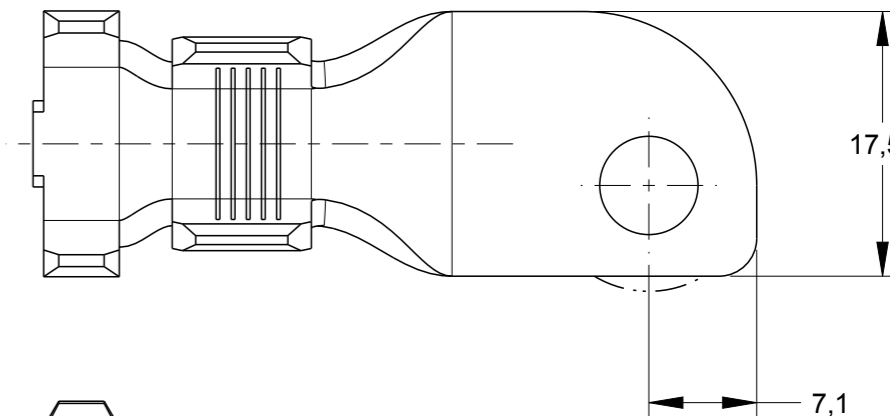
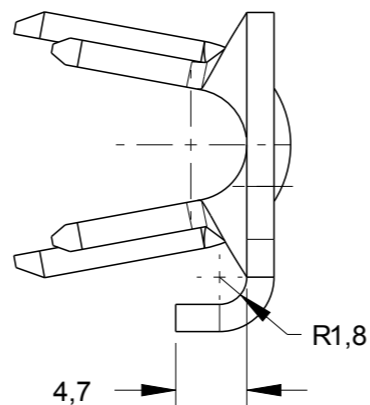
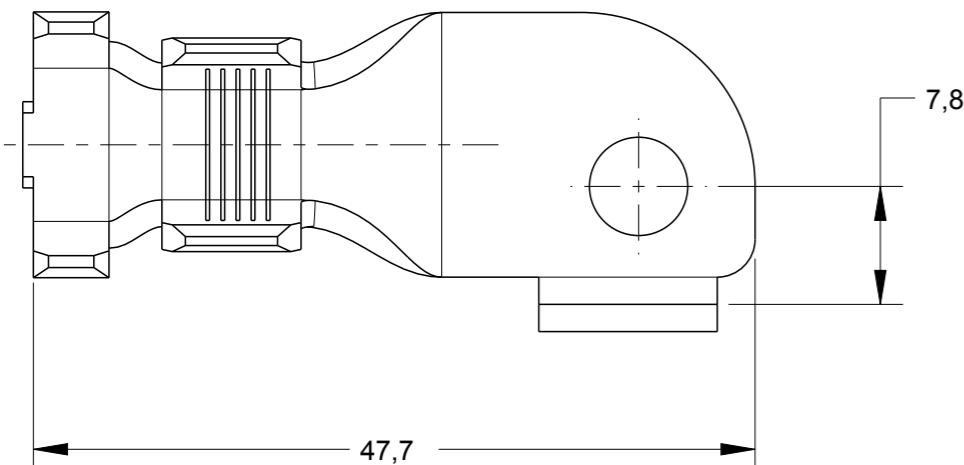


LOC  
AP

DIST  
-

REVISIONS

P	LTR	DESCRIPTION	DATE	DWN	APVD
-	-	SEE SHEET 1	-	-	-

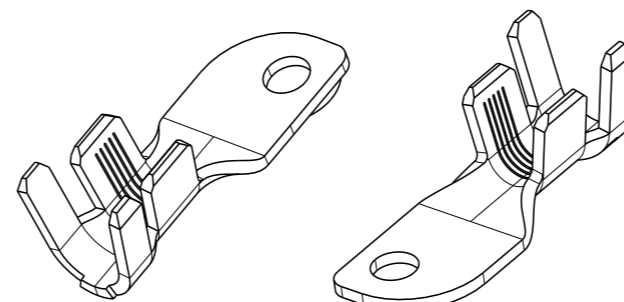


**1989860-3**  
**1989860-4**

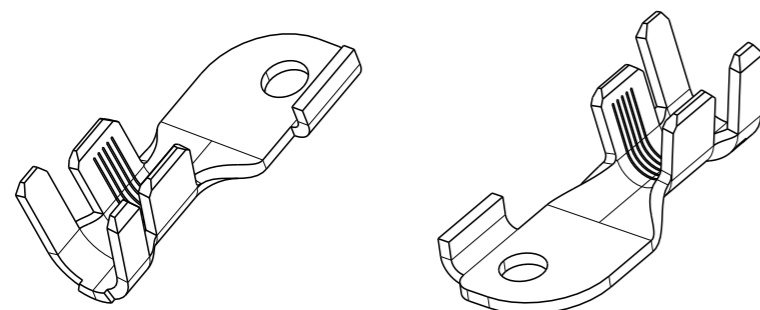
DEMAIS DIMENSÕES VER FOLHA 1 DE 1  
OTHERS DIMENSIONS SEE SHEET 1 OF 1

**1989860-5**  
**1989860-6**

DEMAIS DIMENSÕES VER FOLHA 1 DE 1  
OTHERS DIMENSIONS SEE SHEET 1 OF 1



PERSPECTIVE VIEWS  
SCALE 1:1



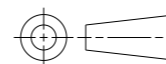
PERSPECTIVE VIEWS  
SCALE 1:1



THIS DRAWING IS A CONTROLLED DOCUMENT.

DIMENSIONS:

mm



TOLERANCES UNLESS OTHERWISE SPECIFIED:

0 PLC	±-
1 PLC	±0,3
2 PLC	±-
3 PLC	±-
4 PLC	±-
ANGLES	±1°

MATERIAL SEE TABLE

FINISH SEE TABLE

DWN 08JUL2009

A.PERUSSI

CHK 12JUL2009

D.A.OLIVEIRA

APVD 12JUL2009

M.LOGAWA

PRODUCT SPEC

-/-

APPLICATION SPEC

-/-

WEIGHT

-/-

CUSTOMER DRAWING

NAME

-

-

-

SIZE

A3

CAGE CODE

-

DRAWING NO

C-1989860

RESTRICTED TO

-

SCALE 2:1

SHEET 2 OF 2

REV A1



TERMINAL RING TONGUE M6, 90°