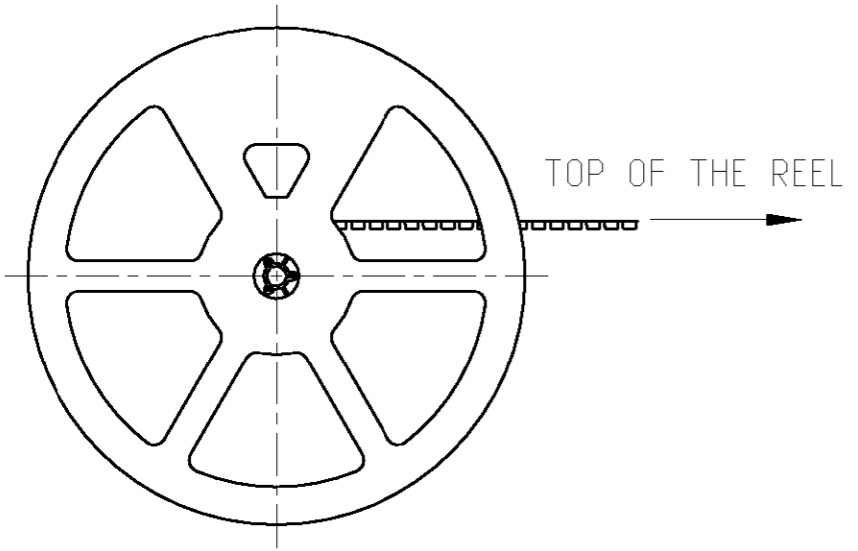
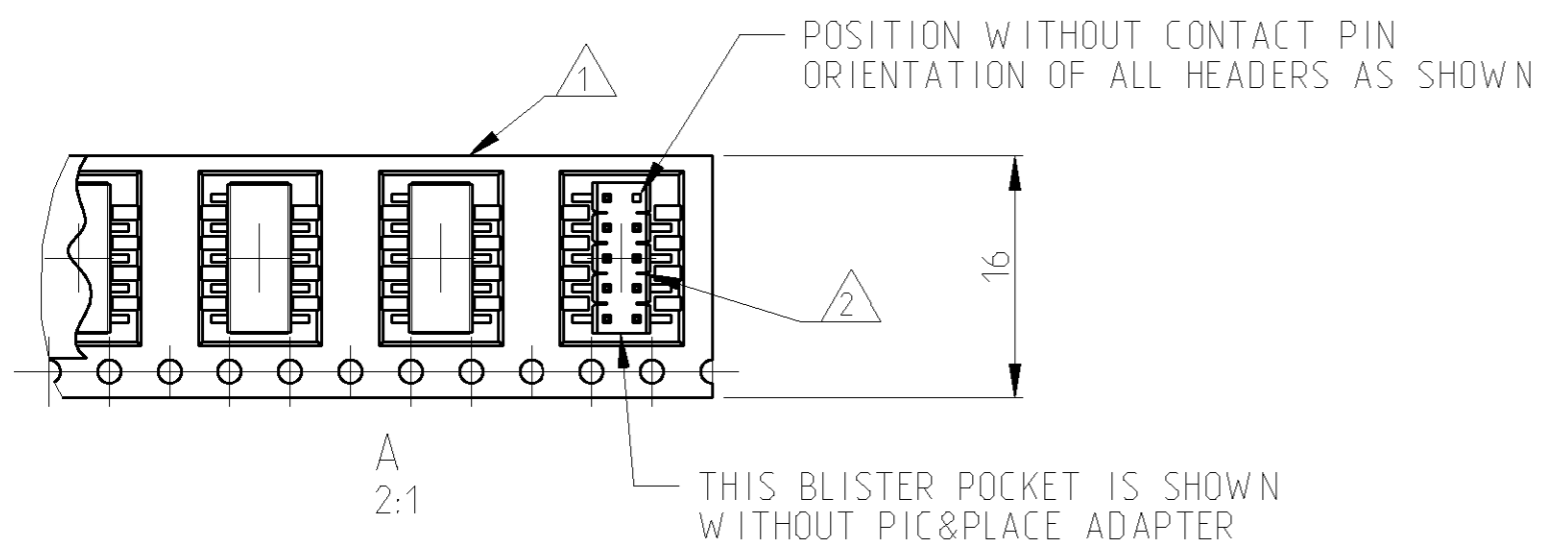
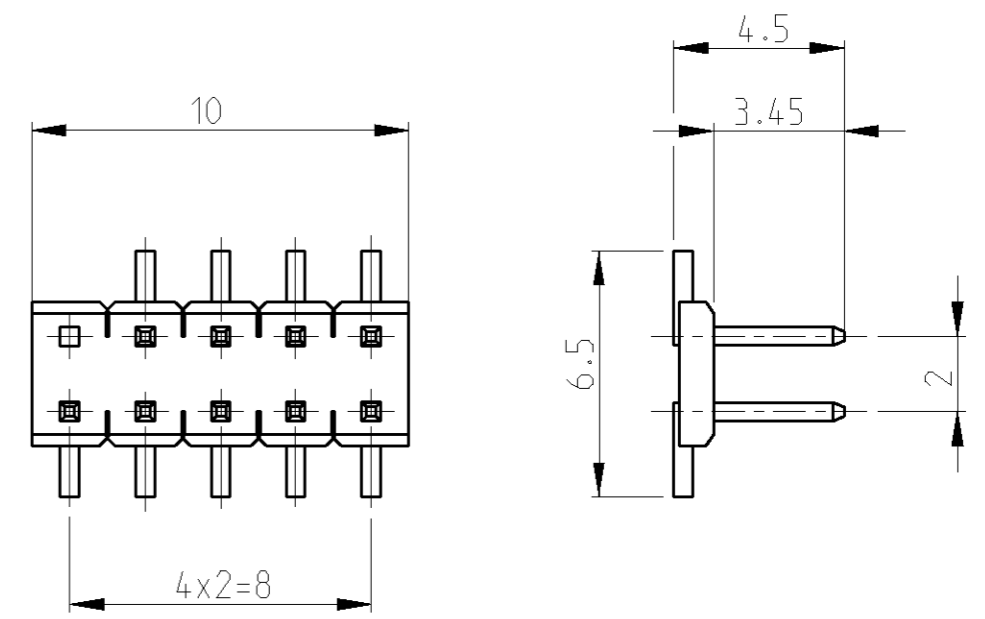
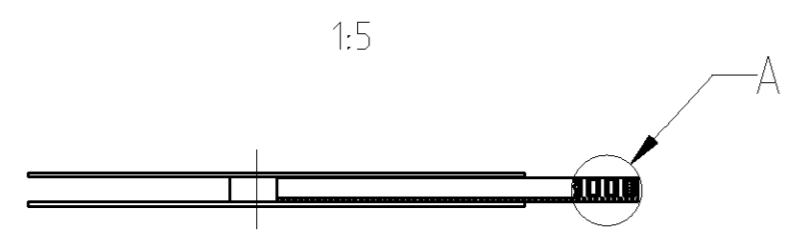


THIS DRAWING IS UNPUBLISHED.
 RELEASED FOR PUBLICATION 2007
 © COPYRIGHT 2007 BY TYCO ELECTRONICS CORPORATION. ALL RIGHTS RESERVED.

LOC	DIST	REVISIONS					
		P	LTR	DESCRIPTION	DATE	DWN	APVD
A1	-		A1	NEW DRAWING PUBLISHED	01JUN2007	ACK	MS



- 1 DETAILS FOR PACKAGING:
SEE PN 966926-5 ON DRAWING 966926
- 2 DETAILS FOR THE PART:
SEE PN 966916-5 ON DRAWING 966916



0-1987083-1 AS SHOWN

HEADER SIZE 2x5 POSITIONS
 9 POSITIONS LOADED
 SELECTIVE GOLD PLATED ON MATING SIDE

<small>THIS DRAWING IS A CONTROLLED DOCUMENT FOR TYCO ELECTRONICS CORPORATION IT IS SUBJECT TO CHANGE AND THE CONTROLLING ENGINEERING ORGANIZATION SHOULD BE CONTACTED FOR THE LATEST REVISION.</small>		DWN 01JUN2007 G. ACKERMANN CHR 01JUN2007 M. SCHAARSCHMIDT APVD 27JUN2007 M. SCHAARSCHMIDT		tyco Electronics		tyco Electronics AMP GmbH D - 67346 Speyer	
DIMENSIONS: mm		TOLERANCES UNLESS OTHERWISE SPECIFIED: ISO 2768-mH-E 0 PLC ± 1 PLC ± 2 PLC ± 3 PLC ± 4 PLC ± ANGLES ±°		NAME AMPMODU 2mm SMD PINHEADER SELECTIVE LOADED PACKED IN BLISTERBELT		RESTRICTED TO -	
		MATERIAL - FINISH -		PRODUCT SPEC 108-18544		SIZE A3 CAGE CODE 00779 DRAWING NO C-1987083	
CUSTOMER DRAWING				SCALE 5:1		SHEET 1 OF 1 REV A1	