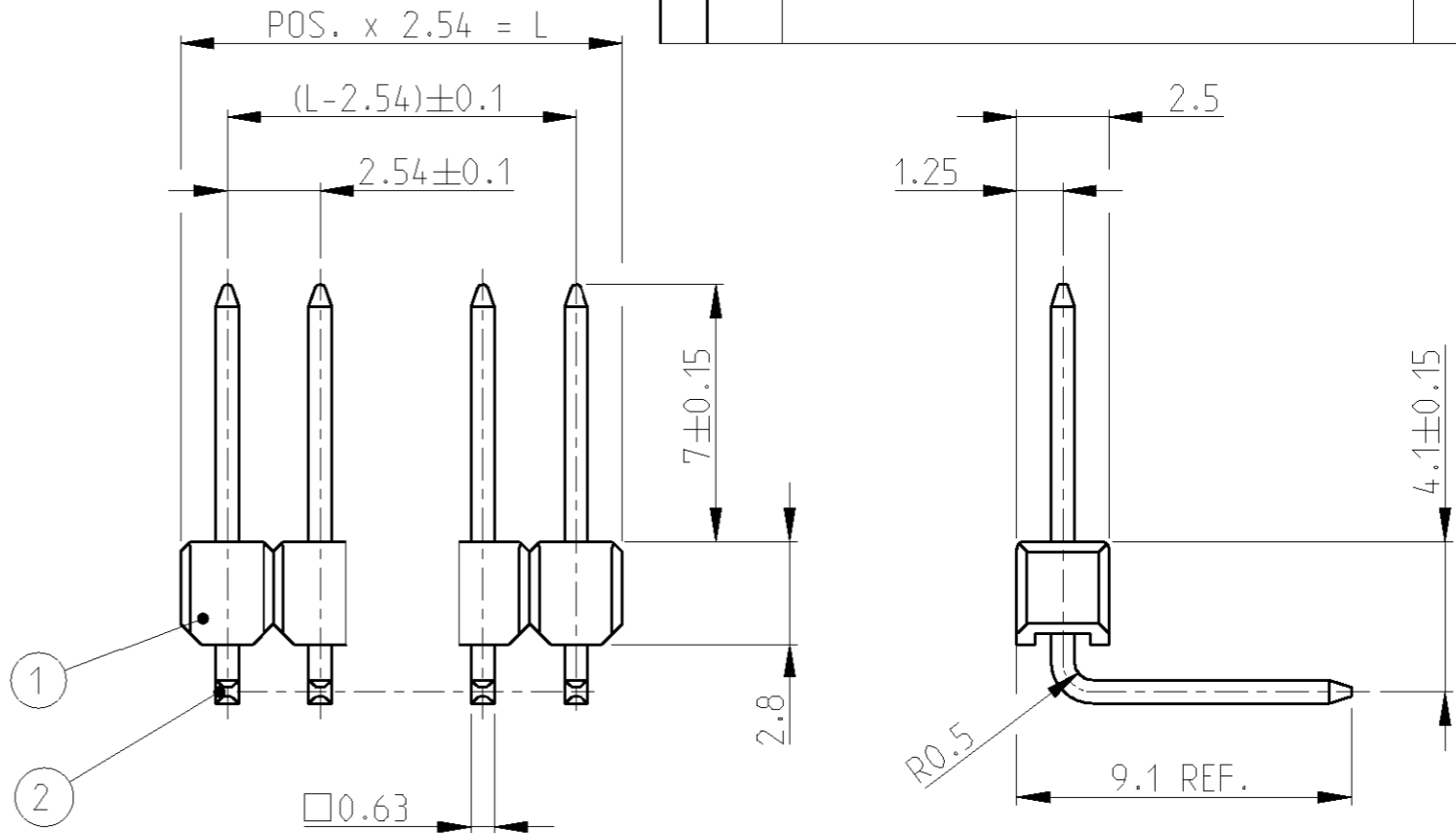


THIS DRAWING IS UNCLASSIFIED
 RELEASED FOR PUBLICATION 2007
 © COPYRIGHT 2007 BY TYCO ELECTRONICS CORPORATION. ALL RIGHTS RESERVED.

LOC	DIST	REVISIONS			
P	LTR	DESCRIPTION	DATE	DWN	APVD
A1	-	WAS EGGFN06095-0100	21JUN2007	ACK	MS

POS. PER ROW	L +0.3 -0.6	ORDER - NO. BESTELL - NR.	POS. PER ROW	L +0.3 -0.6	ORDER - NO. BESTELL - NR.
-	-	-	26	66.04	2- -6
2	5.08	-2	27	68.58	2- -7
3	7.62	-3	28	71.12	2- -8
4	10.16	0-1 987 069-4	29	73.66	2- -9
5	12.70	-5	30	76.20	3- -0
6	15.24	-6	31	78.74	3- -1
7	17.78	-7	32	81.28	3- -2
8	20.32	-8	33	83.82	3- -3
9	22.86	-9	34	86.36	3- -4
10	25.40	1-	35	88.90	3- -5
11	27.94	1-	36	91.44	3- -6
12	30.48	1-	37	93.98	3- -7
13	33.02	1-	38	96.52	3- -8
14	35.56	1-	39	99.06	3- -9
15	38.10	1-	40	101.60	4- -0
16	40.64	1-	41	104.14	4- -1
17	43.18	1-	42	106.68	4- -2
18	45.72	1-	43	109.22	4- -3
19	48.26	1-	44	111.76	4- -4
20	50.80	2-	45	114.30	4- -5
21	53.34	2-	46	116.84	4- -6
22	55.88	2-	47	119.38	4- -7
23	58.42	2-	48	121.92	4- -8
24	60.96	2-	49	124.46	4- -9
25	63.50	2-	50	127.00	5- -0

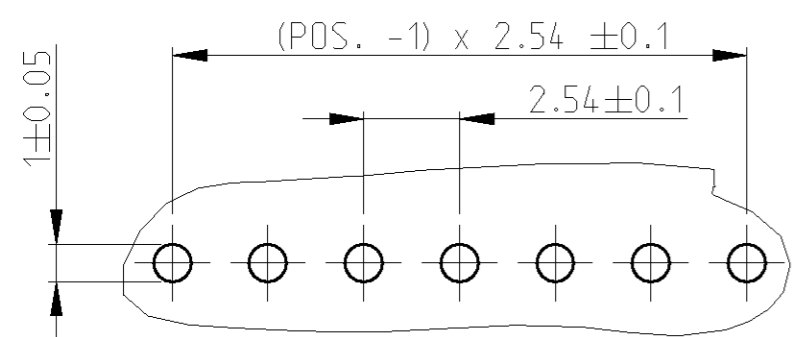


△ MIN. 2 µm TIN OVER 1.27 µm NICKEL
 TIPS PARTIALLY UNPLATED

MIN. 2 µm ZINN ÜBER 1.27 µm NICKEL
 STIFTSPITZEN TEILWEISE BLANK

△	CONTACT PIN KONTAKTSTIFT	Cu Sn	2
COLOUR GREEN	PINHOUSING STIFTGEHAEUSE	PBT GV	1
REMARK	DESCRIPTION BEZEICHNUNG	MATERIAL	ITEM LFD. NR.

PC BOARD LAYOUT
 LEITERPLATTENANSCHLUSSBILD



<small>THIS DRAWING IS A CONTROLLED DOCUMENT FOR TYCO ELECTRONICS CORPORATION IT IS SUBJECT TO CHANGE AND THE CONTROLLING ENGINEERING ORGANIZATION SHOULD BE CONTACTED FOR THE LATEST REVISION.</small>		DWN 16MAR2007 G. ACKERMANN CHK 21JUN2007 N. GEISTER APVD 27JUN2007 M. SCHAARSCHMIDT		tyco Electronics tyco Electronics AMP GmbH D - 67346 Speyer	
DIMENSIONS: mm		TOLERANCES UNLESS OTHERWISE SPECIFIED:		NAME AMPMODU II PINHEADER RIGHT ANGLE SINGLE ROW STIFTELEISTE RECHTWINKLIG EINREIHIG	
		0 PLC ±0.2 1 PLC ±0.2 2 PLC ±0.2 3 PLC ± 4 PLC ± ANGLES ±°		PRODUCT SPEC APPLICATION SPEC WEIGHT -	
MATERIAL -		FINISH -		SIZE A3 CAGE CODE 00779 DRAWING NO C=1987069 RESTRICTED TO -	
CUSTOMER DRAWING				SCALE 5:1 SHEET 1 OF 1 REV A1	