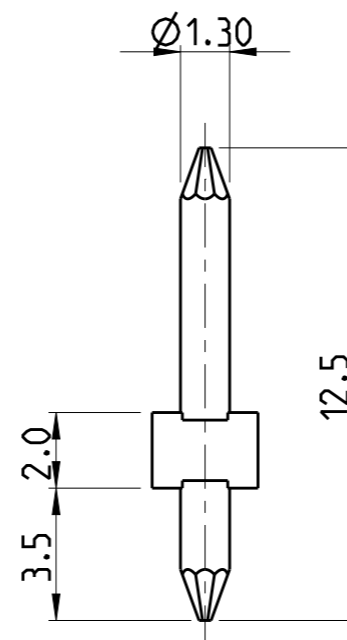
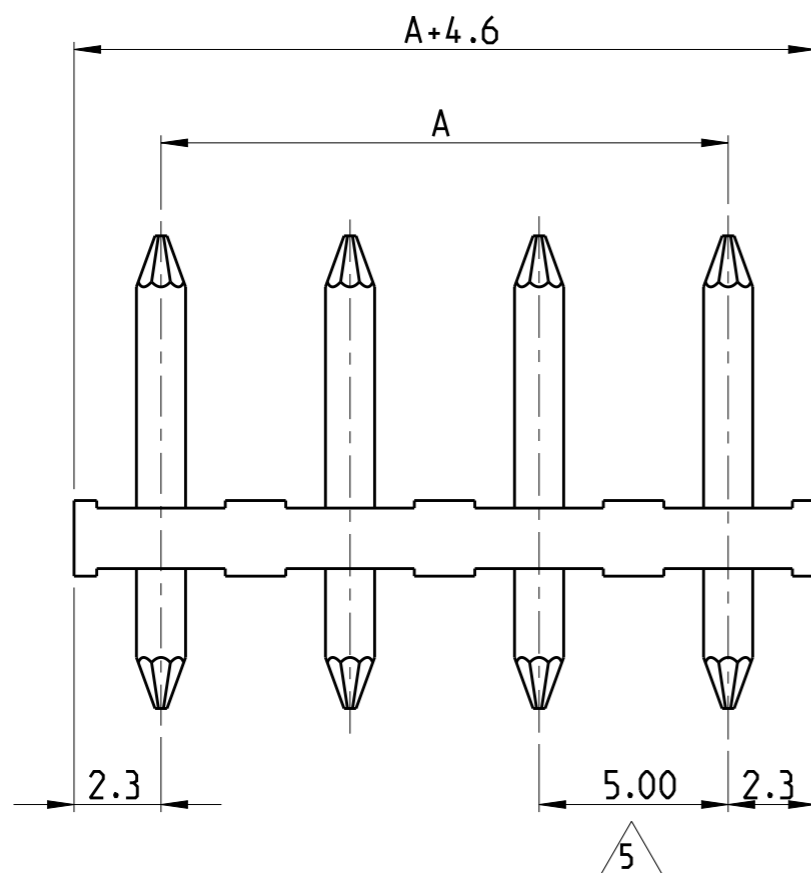


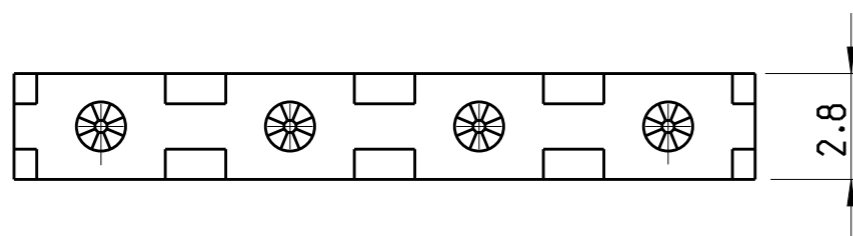
REVISIONS

P	LTR	DESCRIPTION	DATE	DWN	APVD
	A	NEW RELEASE	10MAR2015	RRN	PS

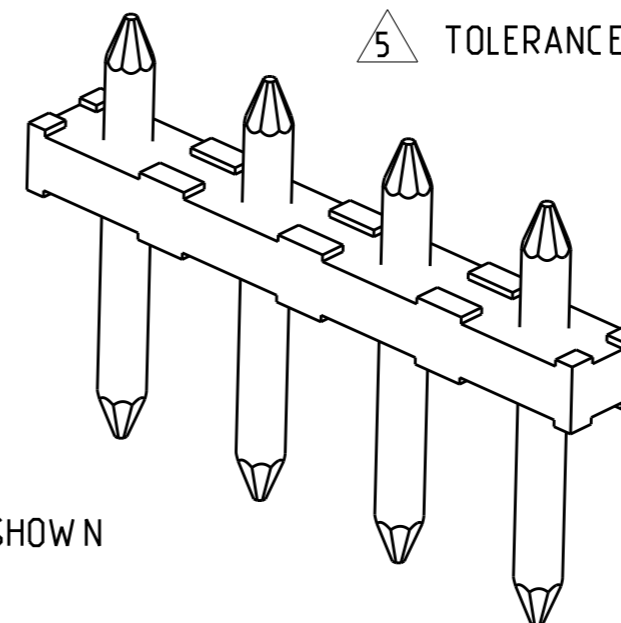


NOTES:

- MATERIALS & FINISH
 HOUSING : PA UL 94 V0, COLOUR: GREEN
 CONTACT : CU ALLOY
 PLATING: TIN OVER NICKEL UNDERPLATE
- ELECTRICAL
 RATED VOLTAGE: 300V
 RATED CURRENT: 12A
 CONTACT RESISTANCE: <15 mOhm
 INSULATION RESISTANCE: >1000 MOhm (500 VDC)
- OPERATING TEMPERATURE RANGE: -40 °C TO +110 °C
- MAXIMUM PCB THICKNESS: 2.4mm

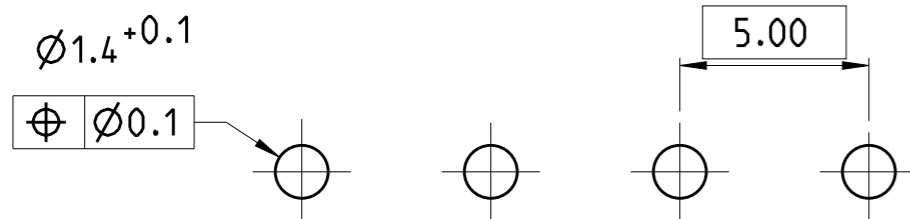


△ TOLERANCE NOT CUMULATIVE.




-4 AS SHOWN

DIM "A"	NO OF POS.	PART NUMBER
35.00	8	1986881-8
15.00	4	1986881-4
10.00	3	1986881-3
5.00	2	1986881-2



RECOMMENDED PCB LAYOUT

THIS DRAWING IS A CONTROLLED DOCUMENT.		DWN RAKSHITH R NAYAK 10MAR2015	 TE Connectivity		
DIMENSIONS: mm		CHK PRASHANTH S 13MAR2015			
TOLERANCES UNLESS OTHERWISE SPECIFIED:		APVD PRASHANTH S 13MAR2015	NAME TERMINAL BLOCK HEADER, SIDE STACKABLE, PITCH 5mm		
0 PLC ± 1 PLC ±0.2 2 PLC ±0.15 3 PLC ± 4 PLC ± ANGLES ±°		PRODUCT SPEC	RESTRICTED TO		
MATERIAL SEE NOTE		APPLICATION SPEC	SIZE A3	CAGE CODE 00779	DRAWING NO C-1986881
FINISH		WEIGHT	SCALE 5:1		SHEET 1 OF 1
-		Customer Drawing	REV A		