

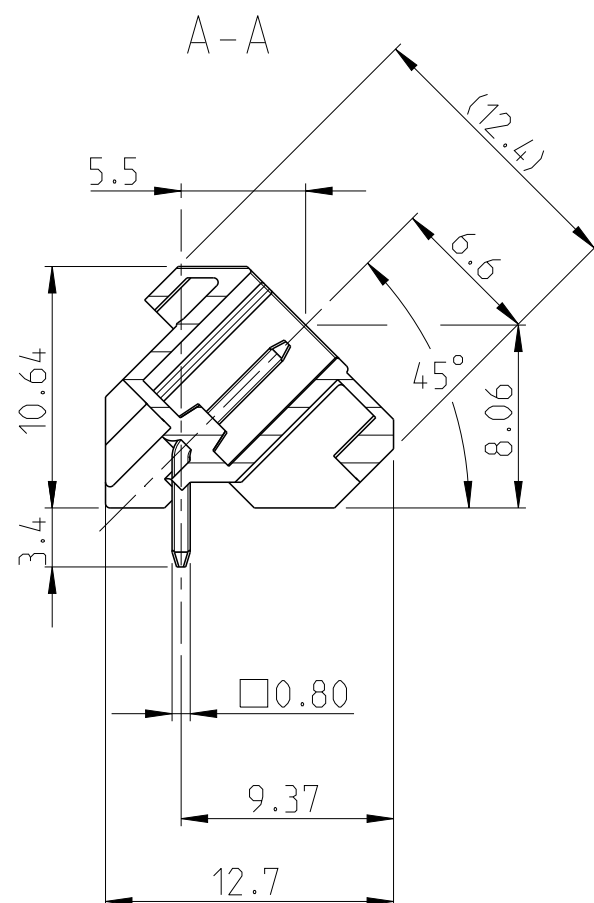
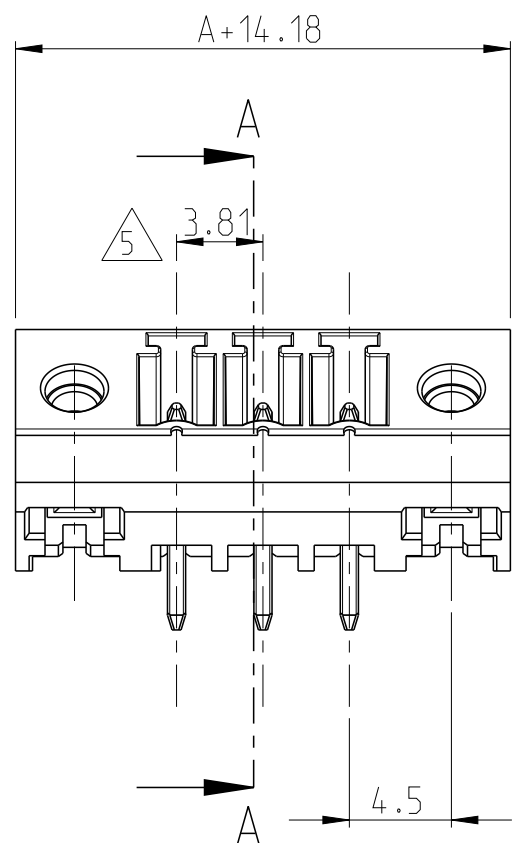
REVISIONS

P	LTR	DESCRIPTION	DATE	DWN	APVD
	A	NEW RELEASE	11DEC2014	CR	JK

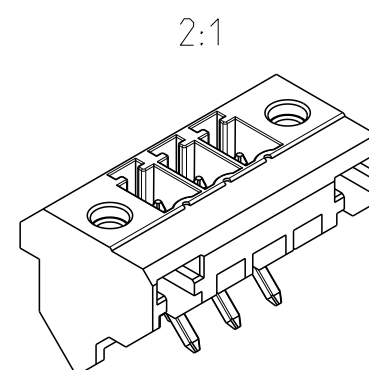
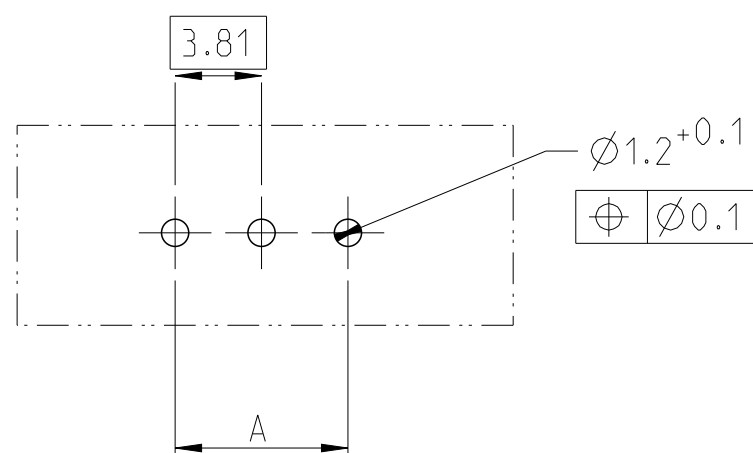
NOTES:

- MATERIALS & FINISH**
HOUSING : PA6.6 , UL94 V0, COLOUR -GREEN
PIN : COPPER ALLOY, TIN PLATED
- MECHANICAL**
MAXIMUM INSERTION FORCE PER POLE: 3N
MINIMUM WITHDRAWAL FORCE PER POLE: 1.5N
MAXIMUM PCB THICKNESS: 2.4mm
- ELECTRICAL**
WIRE RANGE : 30 - 14 AWG
VOLTAGE RATING : 300 V
CURRENT RATING : 11 A
CONTACT RESISTANCE : <15 m Ohm
INSULATION RESISTANCE : > 1000 M Ohm (500V DC)
- OPERATING TEMPERATURE RANGE: -40 °C TO +110 °C**

△ TOLERANCE NOT CUMULATIVE



RECOMMENDED PCB LAYOUT



-3 AS SHOWN

57.15	16	1-1986827-6
53.34	15	1-1986827-5
49.53	14	1-1986827-4
45.72	13	1-1986827-3
41.91	12	1-1986827-2
38.10	11	1-1986827-1
34.29	10	1-1986827-0
30.48	9	1986827-9
26.67	8	1986827-8
22.86	7	1986827-7
19.05	6	1986827-6
15.24	5	1986827-5
11.43	4	1986827-4
7.62	3	1986827-3
3.81	2	1986827-2
DIM "A"	NO OF POS.	PART NUMBER

THIS DRAWING IS A CONTROLLED DOCUMENT.		DWN 11DEC 2014 CHIRASHREE CR	TE Connectivity													
DIMENSIONS: mm		CHK 11DEC 2014 PRASHANTH S														
TOLERANCES UNLESS OTHERWISE SPECIFIED:		APVD 11DEC 2014 JAYANTH KUMAR S	NAME EUROSTYLE MALE CONNECTOR 3.81mm, 45 DEGREE, WITH LOCKING SCREW FLANGES													
<table border="0"> <tr><td>0 PLC</td><td>±</td></tr> <tr><td>1 PLC</td><td>±0.2</td></tr> <tr><td>2 PLC</td><td>±0.15</td></tr> <tr><td>3 PLC</td><td>±</td></tr> <tr><td>4 PLC</td><td>±</td></tr> <tr><td>ANGLES</td><td>±2°</td></tr> </table>		0 PLC	±	1 PLC	±0.2	2 PLC	±0.15	3 PLC	±	4 PLC	±	ANGLES	±2°	PRODUCT SPEC	SIZE	RESTRICTED TO
0 PLC	±															
1 PLC	±0.2															
2 PLC	±0.15															
3 PLC	±															
4 PLC	±															
ANGLES	±2°															
MATERIAL SEE NOTE 1		APPLICATION SPEC	CAGE CODE	DRAWING NO												
FINISH SEE NOTE 1		WEIGHT	A3 00779	©=1986827												
		Customer Drawing	SCALE 3:1	SHEET 1 OF 1 REV A												