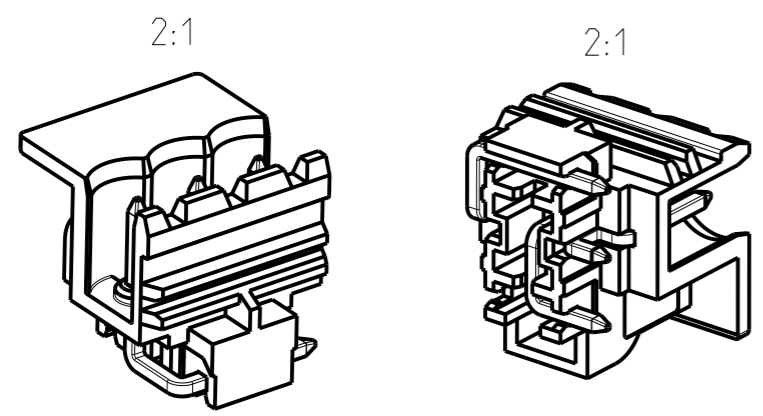
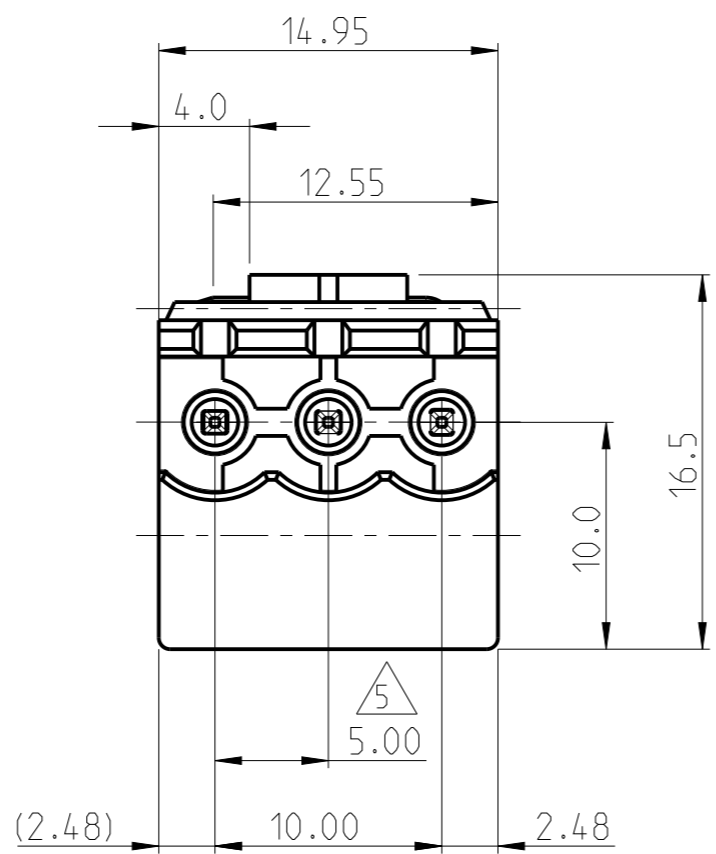
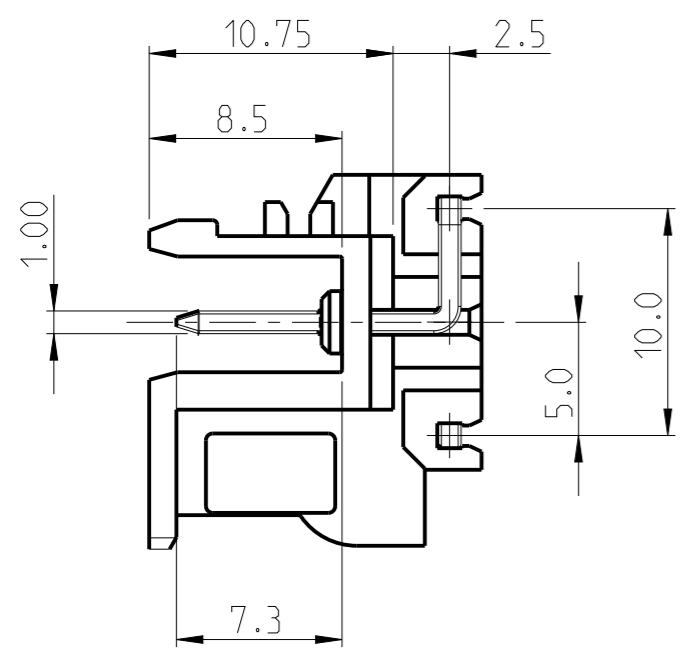
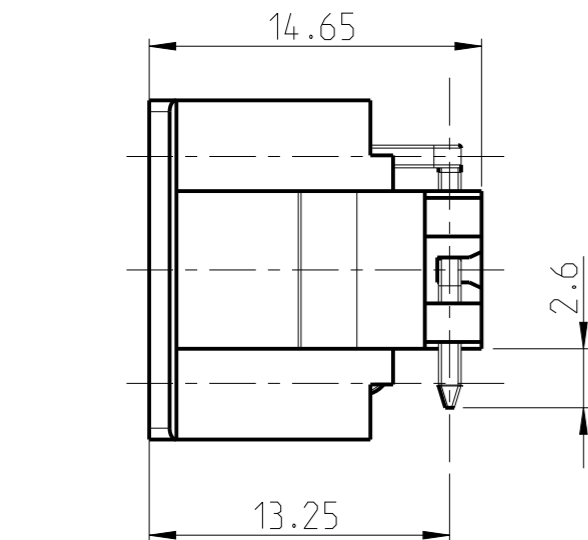


REVISIONS

P	LTR	DESCRIPTION	DATE	DWN	APVD
	A	INITIAL RELEASE	28JAN2015	NV	PS
	A1	P/N 1986819-4 ADDED IN THE TABLE	22SEP2016	FP	NG

NOTES:

- MATERIALS & FINISH  
HOUSING : PA , UL94 V0, COLOR - BLACK  
PIN : COPPER ALLOY, TIN PLATED
  - MECHANICAL  
INSERTION FORCE PER POLE :2.5N  
WITHDRAWAL FORCE PER POLE :4.5N
  - ELECTRICAL  
VOLTAGE RATING : 300 V [UL,USAGE GROUP B.D]  
CURRENT RATING : 15 A [DEPEND UPON PLUG]  
CONTACT RESISTANCE : < 15 m Ohm  
INSULATION RESISTANCE : > 1000 M Ohm (500V DC)
  - OPERATING TEMPERATURE BETWEEN -40 °C TO +110 °C
- △ TOLERANCE NOT CUMULATIVE



-3 AS SHOWN

1986819-4	4
1986819-3	3
TE P/N	NO OF POS

THIS DRAWING IS A CONTROLLED DOCUMENT.		DWN 28JAN2015 NAGASHREE.V	<b>STE</b> TE Connectivity	
DIMENSIONS: mm		CHK 28JAN2015 PRASHANTH.S		
TOLERANCES UNLESS OTHERWISE SPECIFIED:		APVD 28JAN2015 PRASHANTH.S	NAME TERMINAL BLOCK HEADER, ORTHOGONAL, PITCH 5mm,LEFT VERSION	
0 PLC ± 1 PLC ±0.3 2 PLC ±0.25 3 PLC ± 4 PLC ± ANGLES ±2°		PRODUCT SPEC -	APPLICATION SPEC -	RESTRICTED TO -
MATERIAL SEE NOTE 1	FINISH SEE NOTE 1	WEIGHT -	SIZE A3	CAGE CODE 00779
		DRAWING NO C=1986819	SCALE 3:1	SHEET 1 OF 1
		Customer Drawing	REV A1	