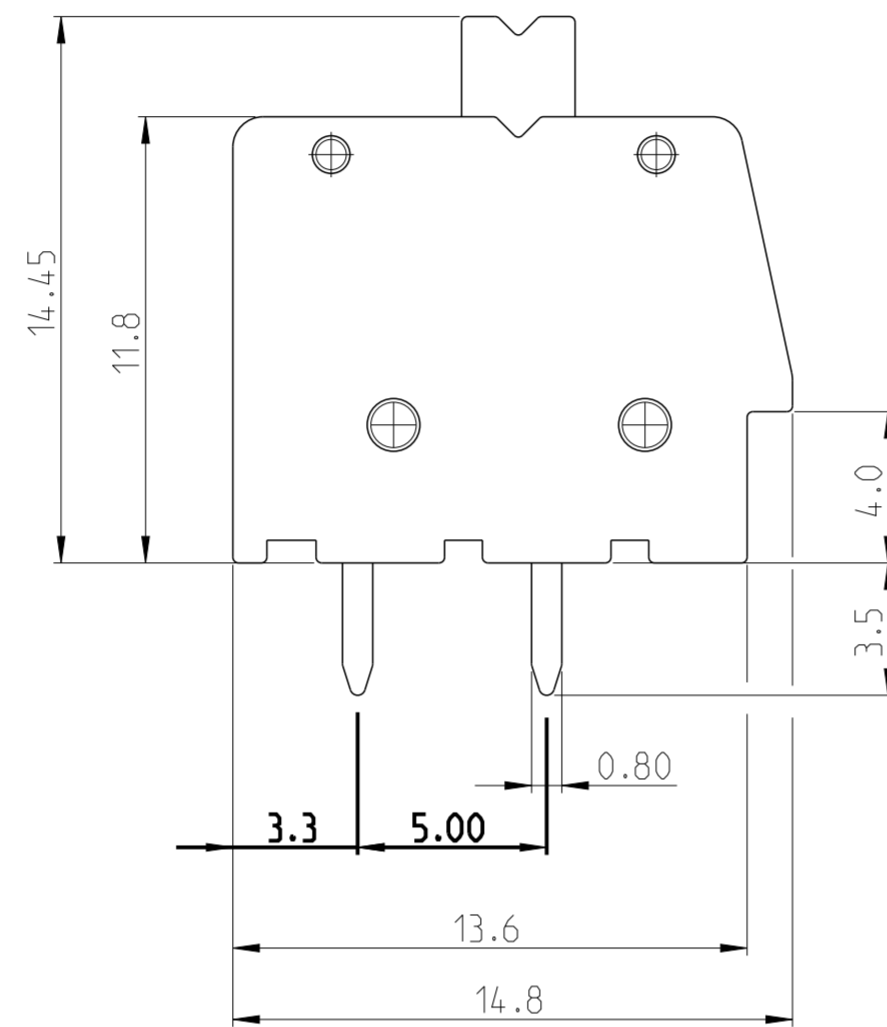
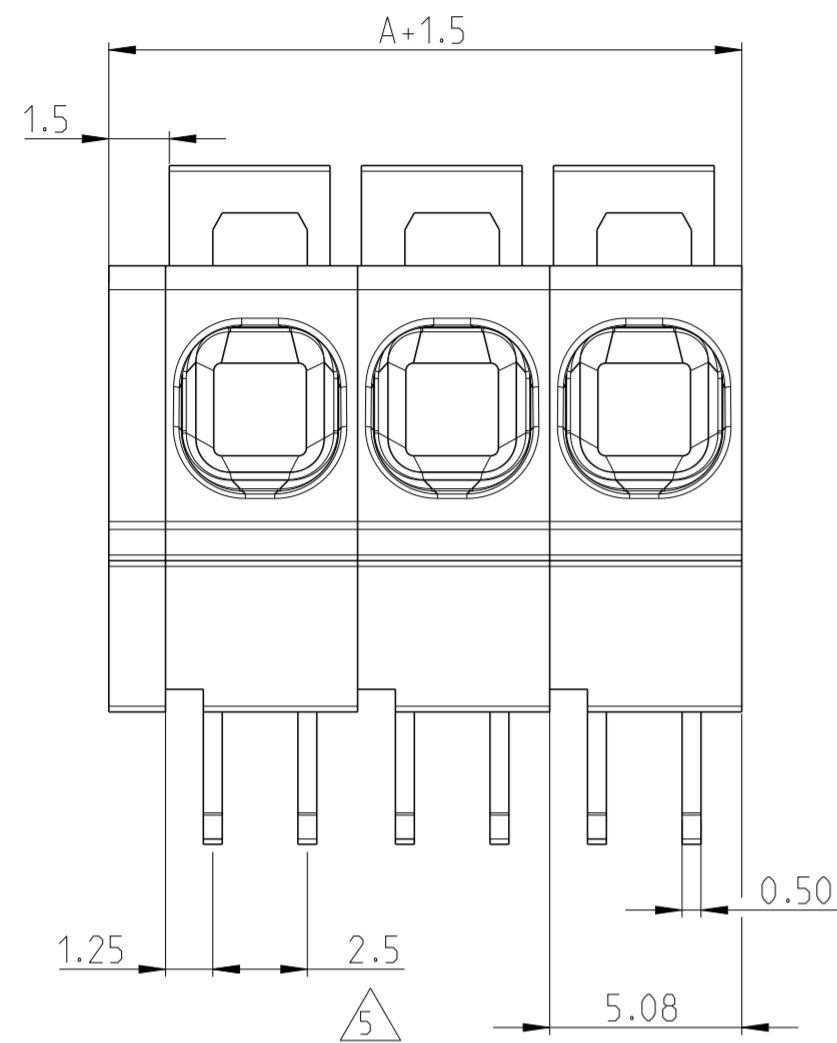


P	LTR	DESCRIPTION	DATE	DWN	APVD
A		NEW RELEASE	31MAR2015	CR	PS
A1		HSG CLR PUSH BTN CLR TUBE PKG DETAILS	17DEC2015	FP	GN
B		CHANGING THE PUSH BUTTON COLOR TO ORANGE	09MAY2023	SP	PS



- MATERIAL:
HOUSING - PA HIGH TEMPERATURE, UL94 V0.
PUSH BUTTON - PA HIGH TEMP, COLOR - ORANGE
CLAMPING SPRING - STAINLESS STEEL
PIN - COPPER ALLOY (CuCr) - BRIGHT TIN PLATED, OVER NICKEL UNDERPLATE

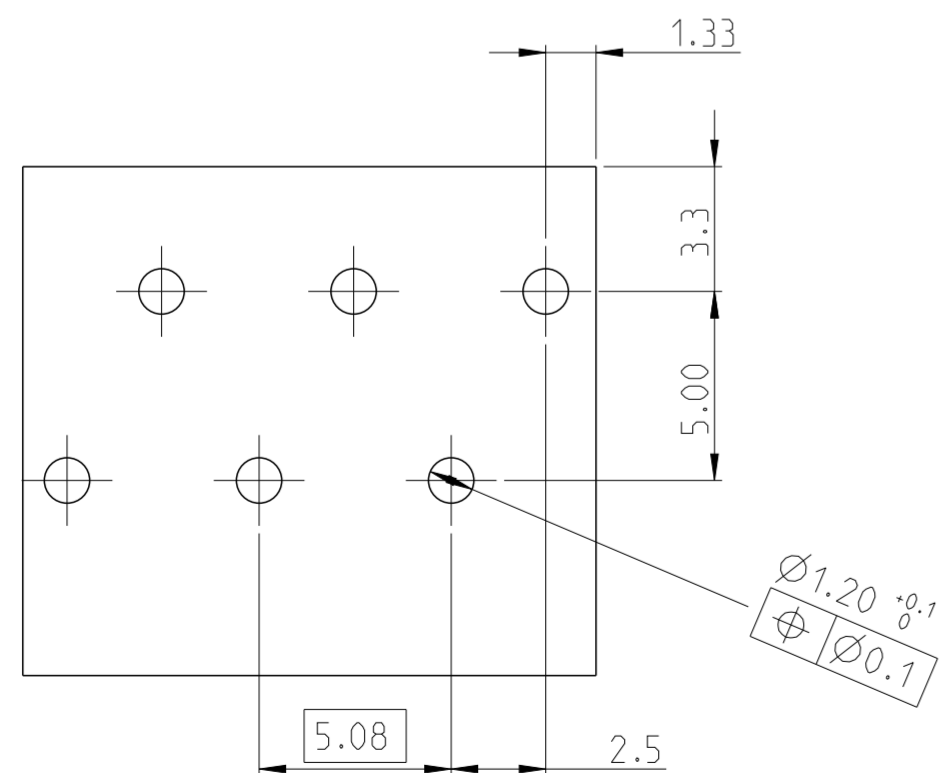
- MECHANICAL:
MIN. PC BOARD HOLES DIAMETER : 1.2 mm
MAX. PC BOARD THICKNESS : 2.4 mm
WIRE STRIPPING LENGTH : 11 mm

- ELECTRICAL:
WIRE RANGE : 12-30 AWG (2.5mm² TO 0.2mm²)
RATED VOLTAGE : 300V
RATED CURRENT : 15A
CONTACT RESISTANCE : <15 m Ohm
INSULATION RESISTANCE : >1000 M Ohm (500V DC)

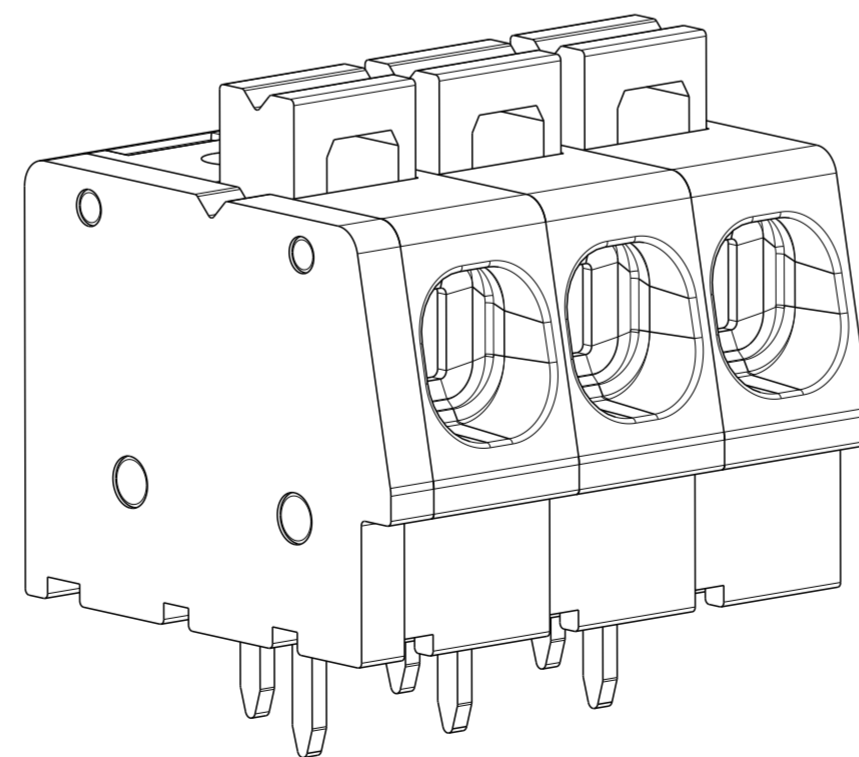
- OPERATING TEMPERATURE RANGE : -40°C TO +105°C

△ NOT CUMULATIVE TOLERANCE

127.00	25	2-1986816-5
121.92	24	2-1986816-4
116.84	23	2-1986816-3
111.76	22	2-1986816-2
106.68	21	2-1986816-1
101.60	20	2-1986816-0
96.52	19	1-1986816-9
91.44	18	1-1986816-8
86.36	17	1-1986816-7
81.28	16	1-1986816-6
76.20	15	1-1986816-5
71.12	14	1-1986816-4
66.04	13	1-1986816-3
60.96	12	1-1986816-2
55.88	11	1-1986816-1
50.80	10	1-1986816-0
45.72	9	1986816-9
40.64	8	1986816-8
35.56	7	1986816-7
30.48	6	1986816-6
25.40	5	1986816-5
20.32	4	1986816-4
15.24	3	1986816-3
10.16	2	1986816-2
DIM "A"	NO OF POS.	TE PART NUMBER



RECOMMENDED PC BOARD LAYOUT

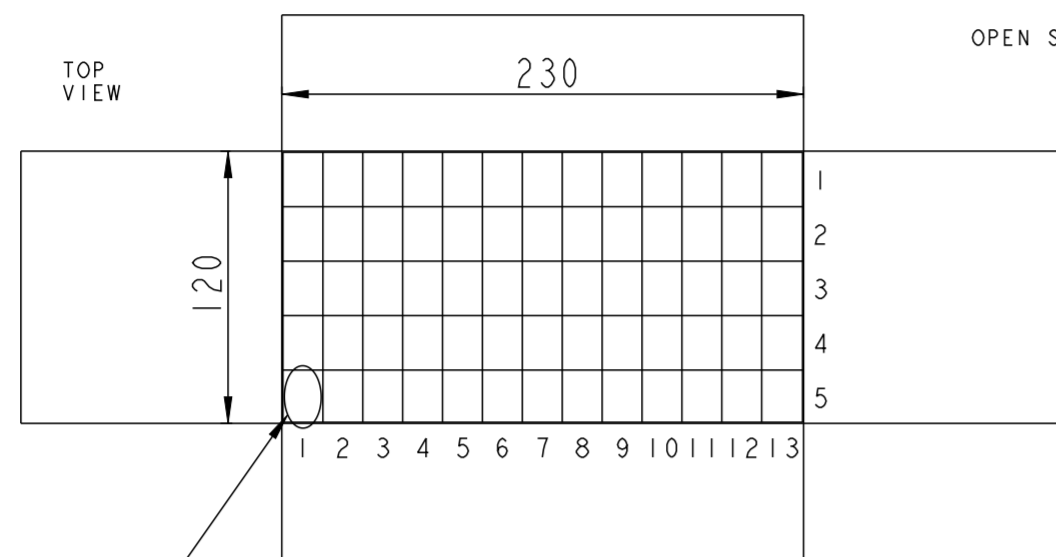


1986816-3 AS SHOWN

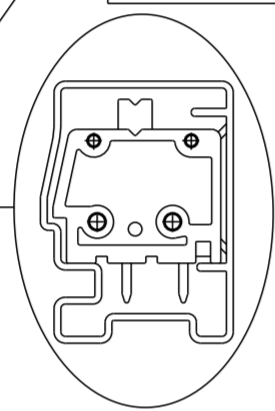
THIS DRAWING IS A CONTROLLED DOCUMENT.		DWN: CHIRASHREE C R 31MAR2015	TE Connectivity	
		CHK: PRASHANTH S 31MAR2015		
		APVD: PRASHANTH S 31MAR2015	NAME: EUROSTYLE TERMINAL BLOCK	
		PRODUCT SPEC: -	PITCH 5.08mm, HIGH TEMPERATURE	
		APPLICATION SPEC: -	SIDE STACKABLE SPRING TYPE	
		WEIGHT: -	SIZE: A2	CAGE CODE: 00779
		CUSTOMER DRAWING	DRAWING NO: C-1986816	RESTRICTED TO: -
			SCALE: 5:1	SHEET: 1 OF 2
				REV: B

P	LTR	DESCRIPTION	DATE	DWN	APVD

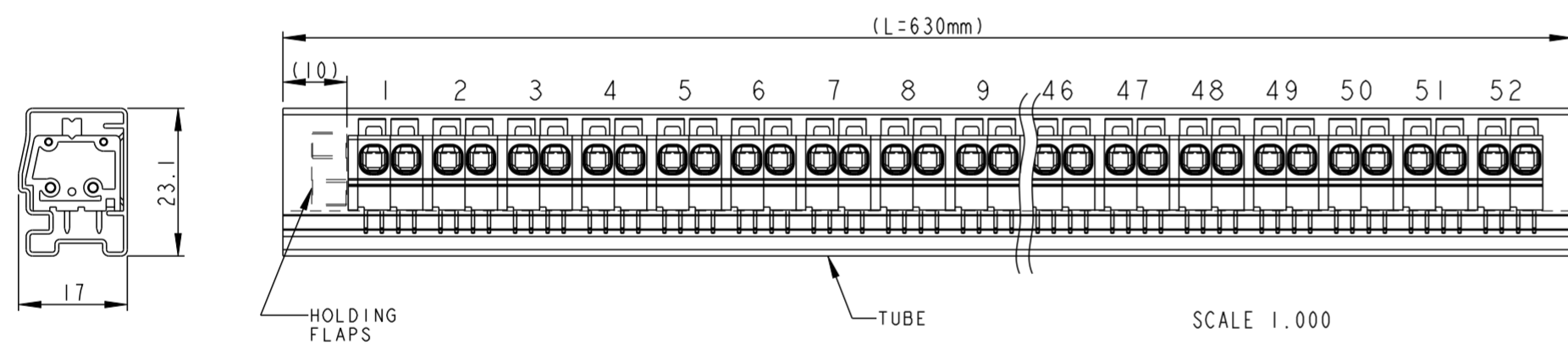
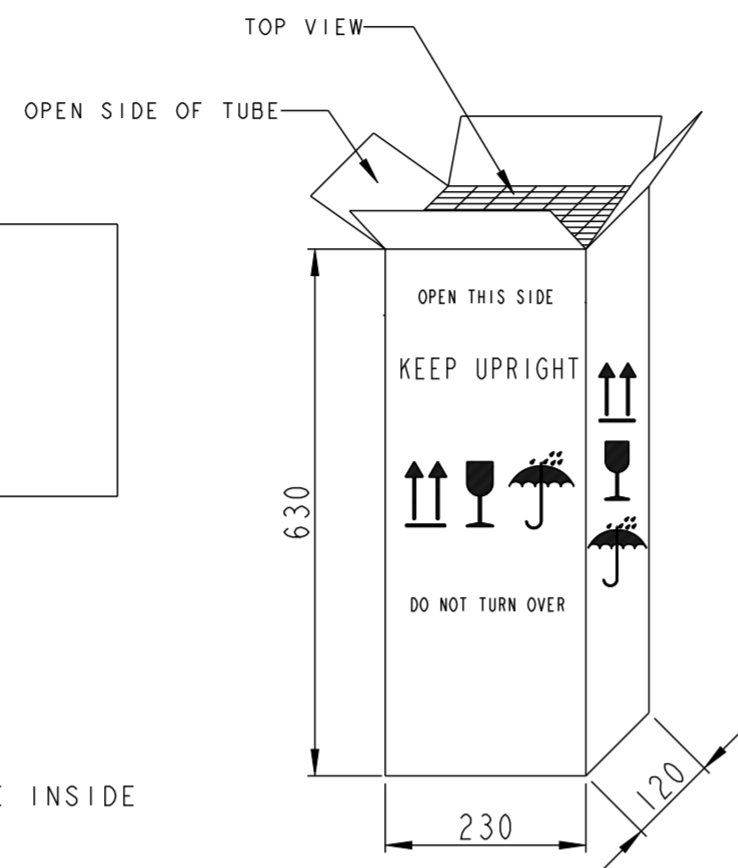
TOP VIEW SHOWING THE LAYOUT OF THE TUBES INSIDE THE CARTON BOX



SCALE 1.500

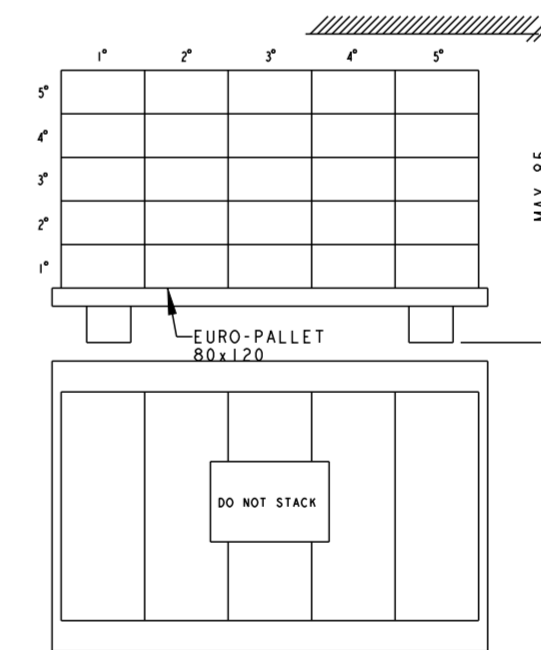


SEE AVAILABLE INSIDE THE BOX



SCALE 1.000

SIDE OPEN FOR PICK-UP THE PIECES



PACKAGING INFORMATION:

- 1) EACH TUBE CONTAINS 52 TERMINAL BLOCKS
- 2) EACH CARTON CONTAINS 65 TUBES, Tot. Qty 3380 pcs

2	3-1986816-2
NO OF POS.	TE P/N

THIS DRAWING IS A CONTROLLED DOCUMENT.		DWN CHIRASHREE C B 31MAR2015	TE Connectivity	
DIMENSIONS: mm		CHK PRASHANTH S 31MAR2015		
TOLERANCES UNLESS OTHERWISE SPECIFIED:		APVD PRASHANTH S 31MAR2015	NAME EUROSTYLE TERMINAL BLOCK PITCH 5.08mm. HIGH TEMPERATURE SIDE STACKABLE SPRING TYPE	
0 PLC ± 1 PLC ±0.2 2 PLC ±0.15 3 PLC ± 4 PLC ± ANGLES ±2° FINISH -		PRODUCT SPEC -	SIZE A2	CAGE CODE -
MATERIAL SEE NOTES		APPLICATION SPEC -	DRAWING NO C-1986816	RESTRICTED TO -
-		WEIGHT -	SCALE 3:1	SHEET 2 OF 2
-		CUSTOMER DRAWING	REV B	