

THIS DRAWING IS UNPUBLISHED. RELEASED FOR PUBLICATION JUN. 2007  
 © COPYRIGHT 2007 BY TYCO ELECTRONICS CORPORATION. ALL RIGHTS RESERVED.

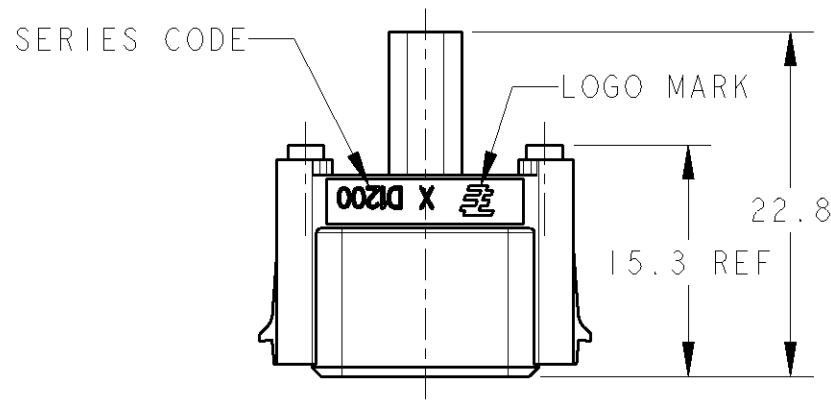
LOC	DIST	REVISIONS					
		P	LTR	DESCRIPTION	DATE	DWN	APVD
J	-		AI	REVISED ECR-07-024704	17OCT2007	T.S	D.M

NOTE

- ① MATERIAL:  
HOUSING: POLYBUTYLEN TEREPHTHALATE (94V-0)  
COLOR: BLACK  
RUBBER: NITRILE-BUTADIENE RUBBER  
COLOR: BLACK
- 2. THE SHAPE, SIZE AND POSITION OF THE CHARACTER SHOW THE OUTLINE. THEY DON'T SHOW DETAILS.

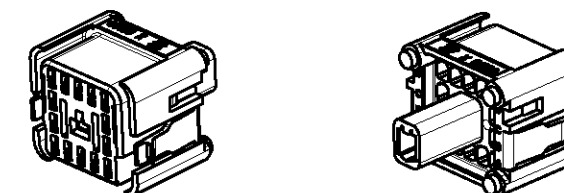
- 1 : AS SHOWN

- ③ ALLOCTE OF D3-SLOT, ROW ID: B, CIRCUIT NO.: 3



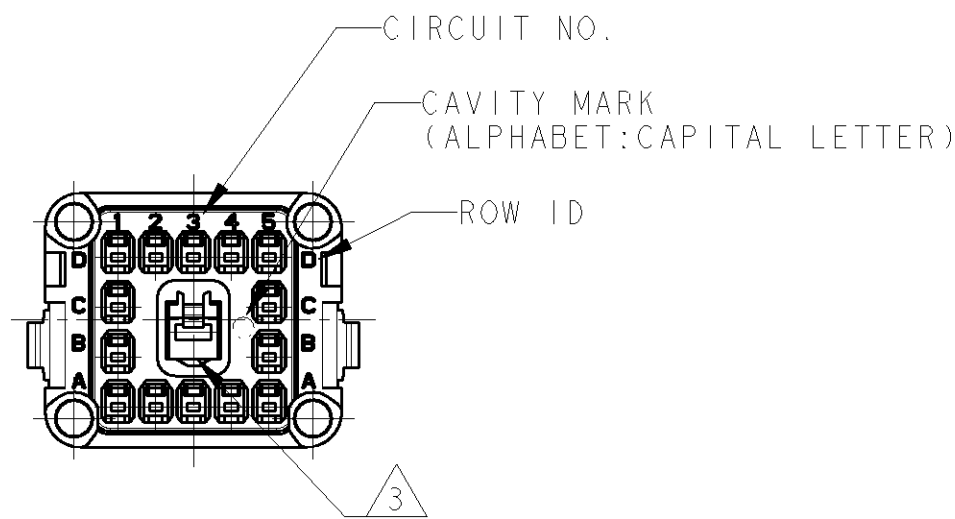
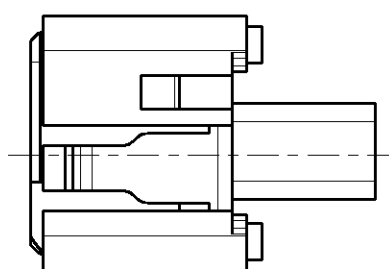
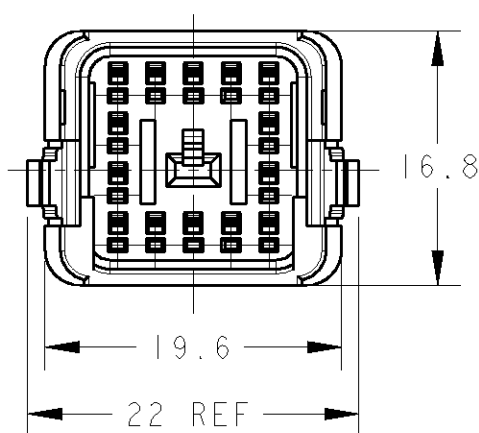
注記

- ① 材料:  
ハウジング: ポリアチレンテレフタレート (94V-0)  
色: 黒  
ゴム: ニトリルブタジエンゴム  
色: 黒
- 2. 文字の形状、大きさ、および位置については、大略を示すものであり、詳細を示すものではありません。



SCALE 1:1

- ③ D3スロットには、ROW ID: B, CIRCUIT NO.: 3を割り当てる



THIS DRAWING IS A CONTROLLED DOCUMENT FOR TYCO ELECTRONICS CORPORATION IT IS SUBJECT TO CHANGE AND THE CONTROLLING ENGINEERING ORGANIZATION SHOULD BE CONTACTED FOR THE LATEST REVISION.		DWN T.SAMI 25JUN2007 CHK D.MITSUGI 27JUL2007 APVD D.MITSUGI 27JUL2007		Tyco Electronics Corporation Kawasaki, Japan	
DIMENSIONS: 単位: 概 mm		TOLERANCES UNLESS OTHERWISE SPECIFIED: 一般公差 ±0.3, ±3° 0-PLC ± 1-PLC ± 2-PLC ± 3-PLC ± 4-PLC ± ANGLES ±		NAME 名称 MULTI ENCLOSURE CONN (M) DYNAMIC D1200 SEQ TYPE REC ASSY 15POS	
MATERIAL 材料		FINISH 仕上		PRODUCT SPEC 製品規格 108-78417 APPLICATION SPEC 取付適用規格 411-78287	
		WEIGHT 3.49 g		SIZE A3	
CUSTOMER DRAWING		CAGE CODE 00779		DRAWING NO 番号 C-1981135	
		SCALE 尺度 2:1		SHEET 1 OF 1 REV A1	