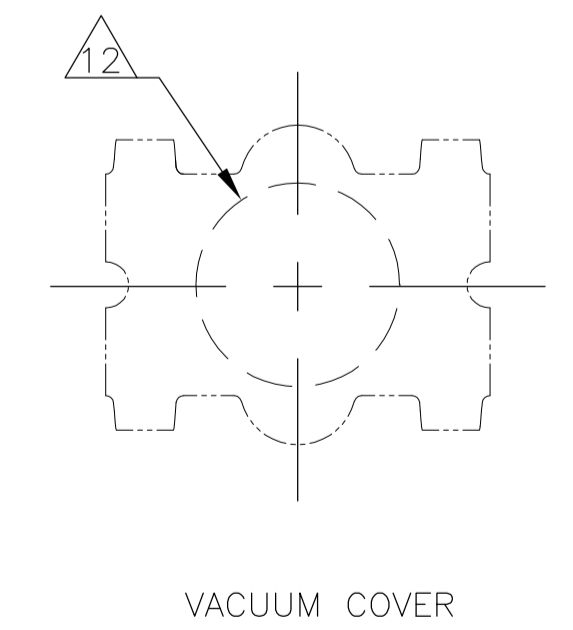
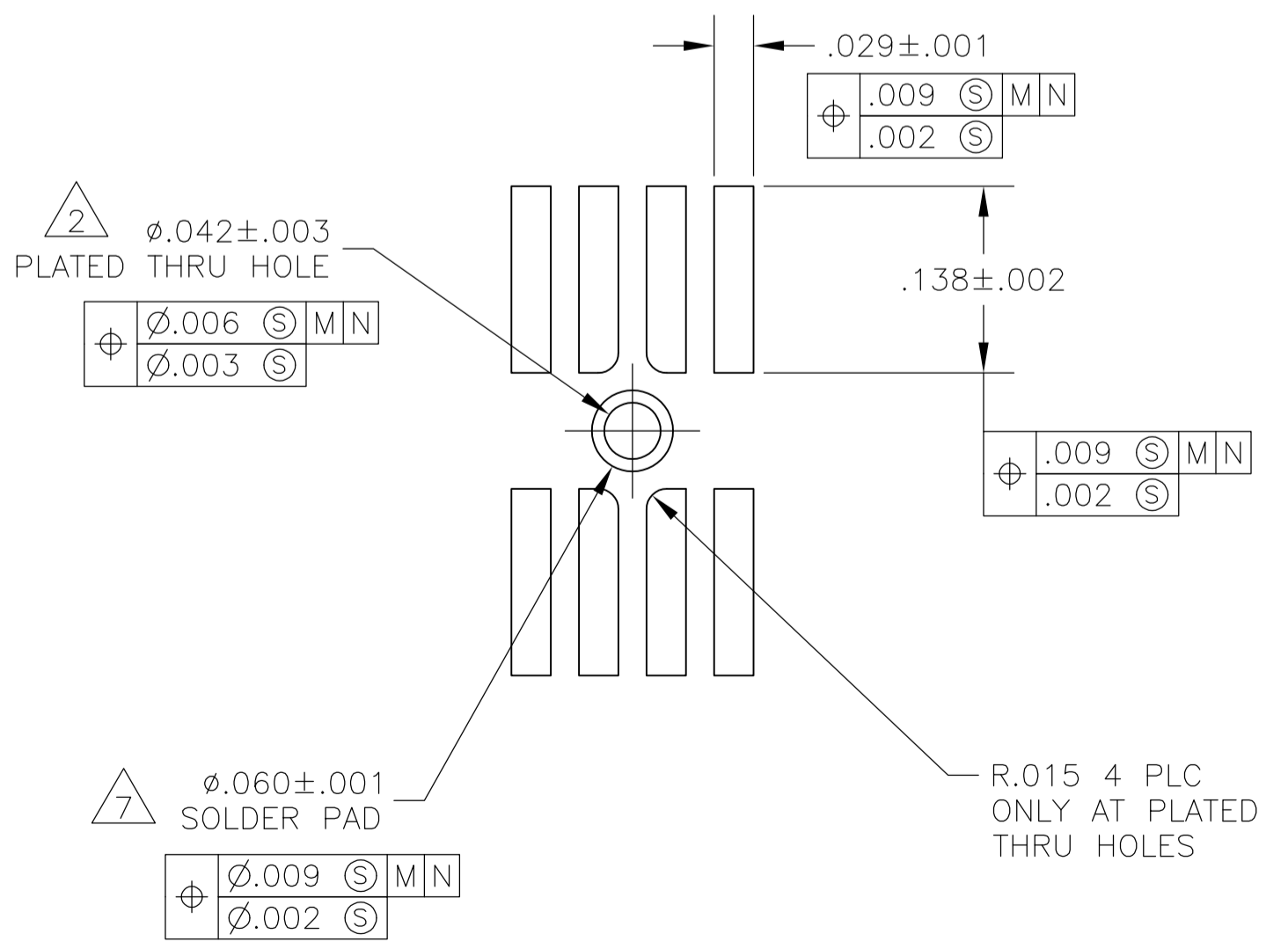
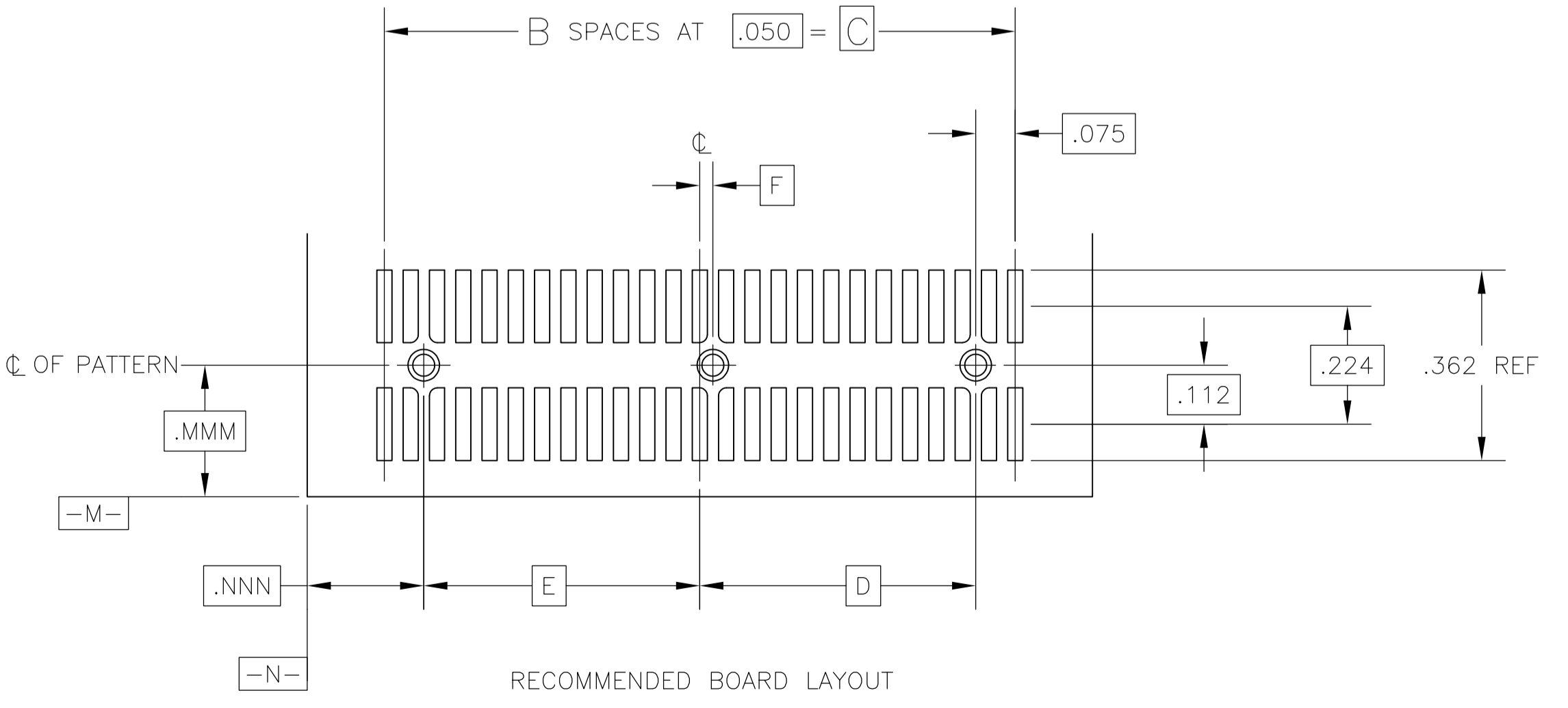
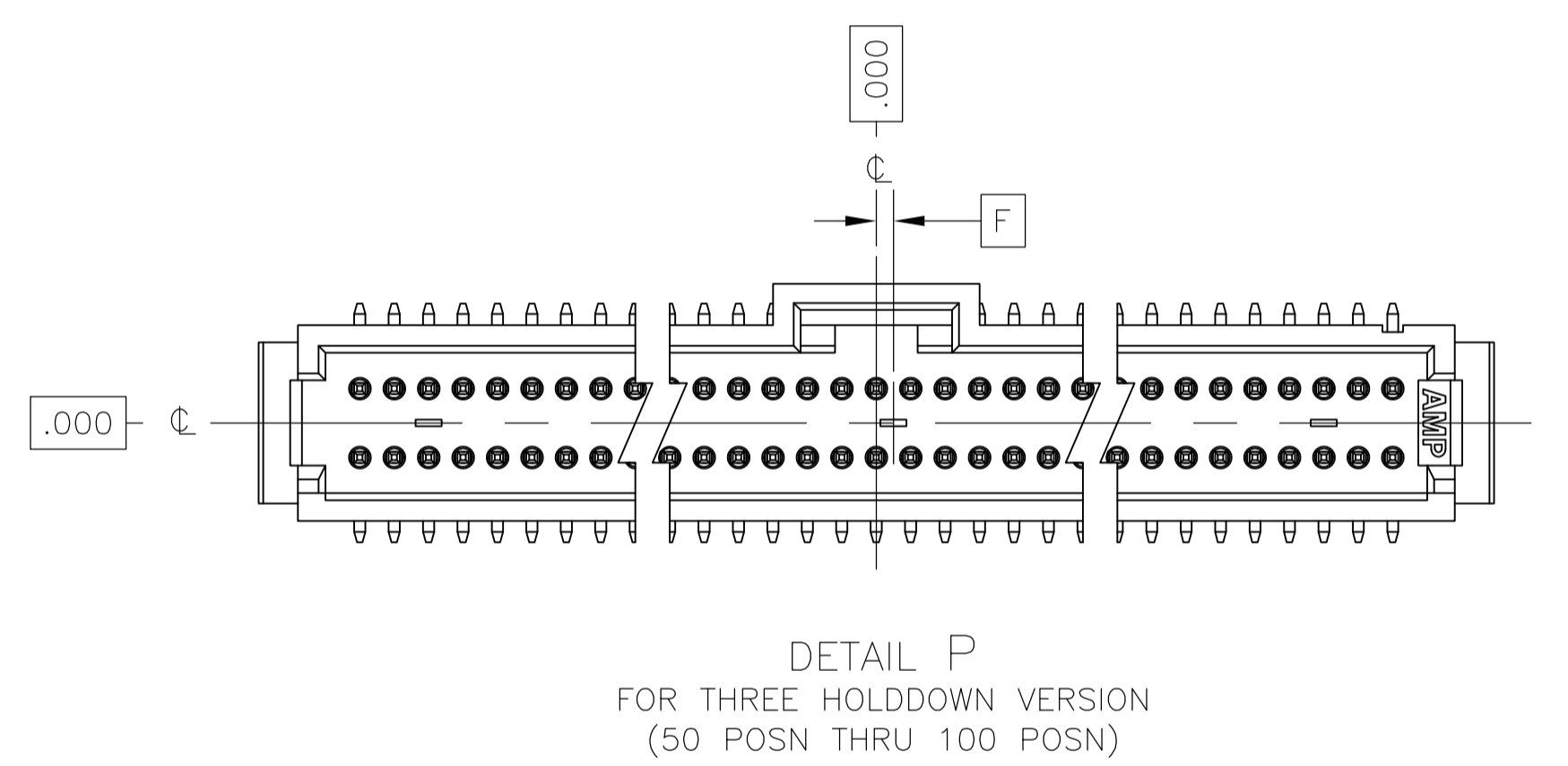
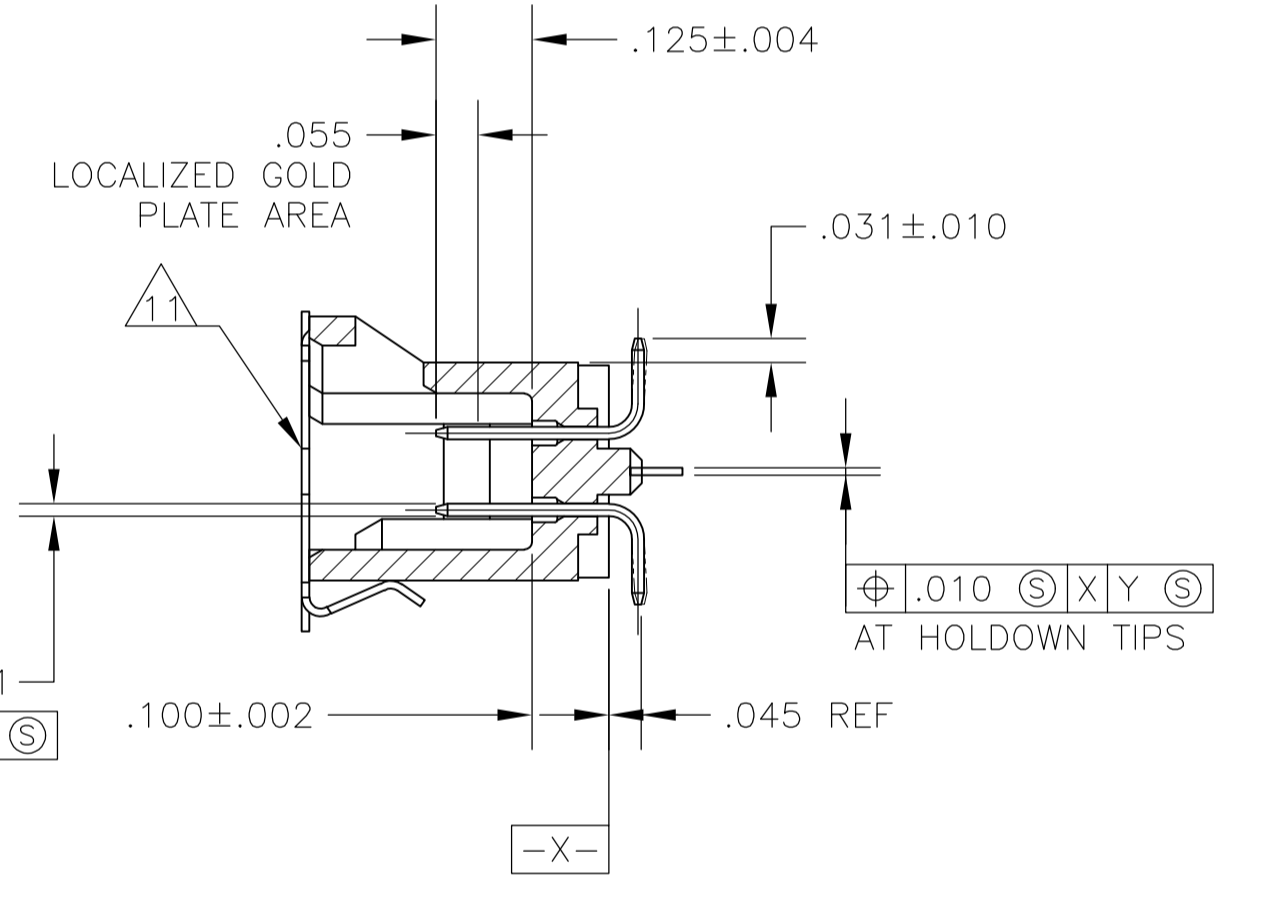
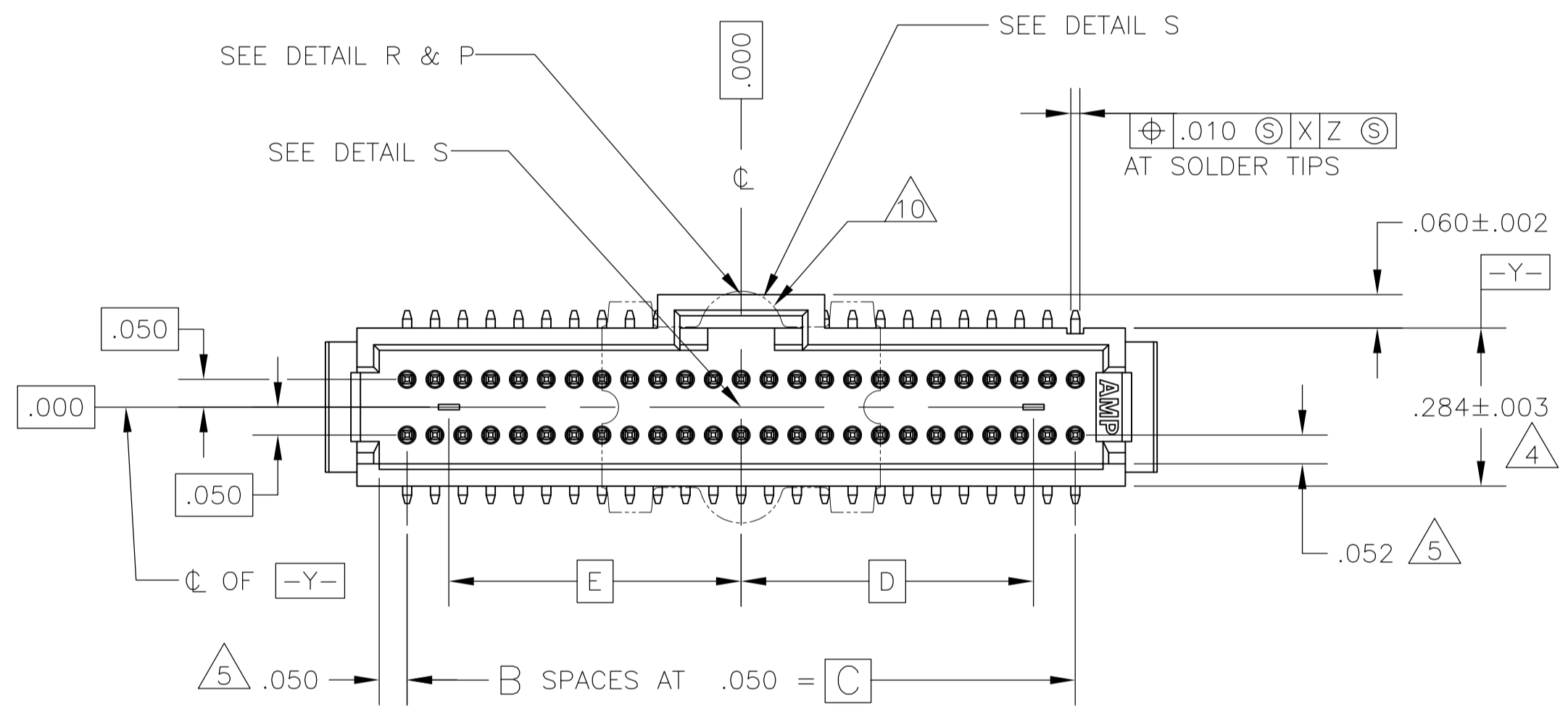
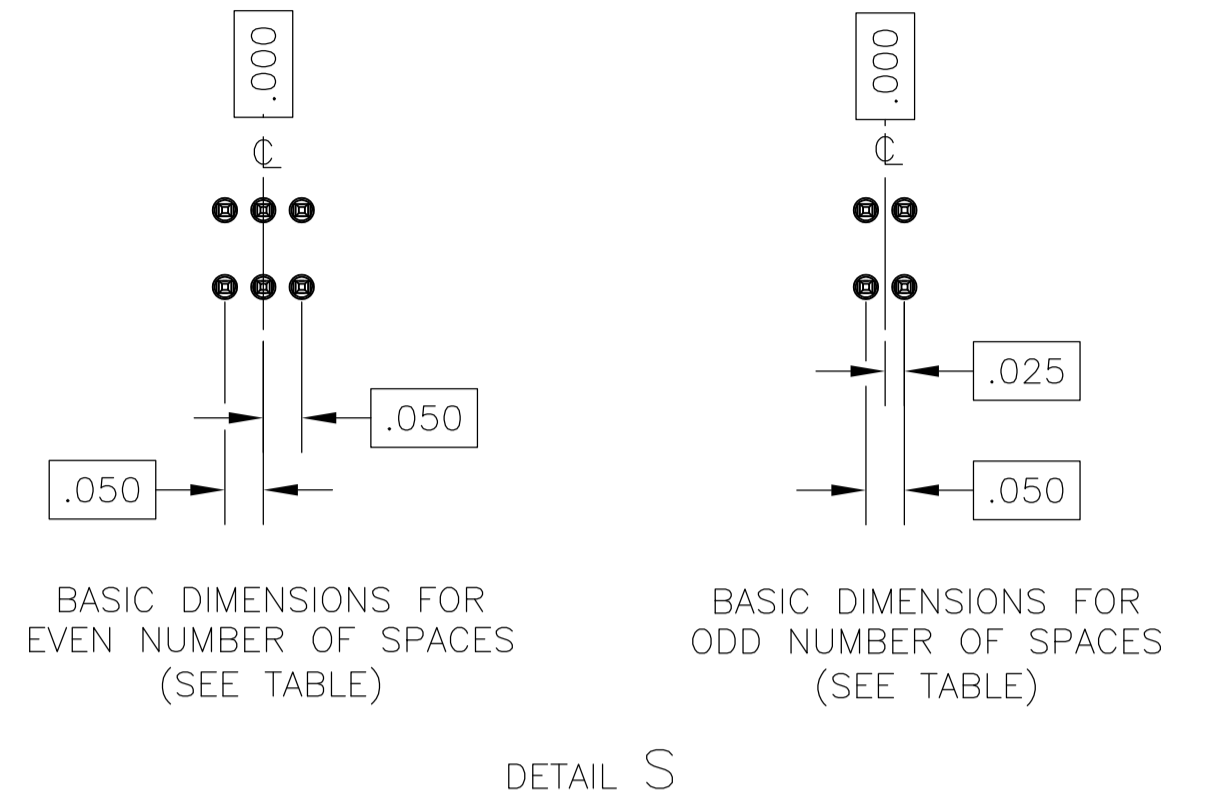


LOC		DIST		REVISIONS			
P	LTR	DESCRIPTION	DATE	DWN	APVD		
A		REVISED PER ECO-12-003261	20FEB12	KH	JO		



SEE SHEET 2 OF 2 FOR DASH NUMBERS AND NOTES

THIS DRAWING IS A CONTROLLED DOCUMENT.		DIN RAGHAVENDRA 06JAN09		TE Connectivity	
DIMENSIONS: INCHES		CHK F DAUBERT 06JAN09			
TOLERANCES UNLESS OTHERWISE SPECIFIED:		APVD F DAUBERT 06JAN09		NAME: HEADER ASSEMBLY, W/SIDE & END LATCHES, VERTICAL, SHROUDED, DOUBLE ROW, SURFACE MOUNT, AMPMODU System 50, W/HOLDDOWNS	
0 PLC ± -		APPLICATION SPEC		SIZE: A1	
1 PLC ± -		SIZE: A1		CAGE CODE: 00779	
2 PLC ± -		DRAWING NO: 1977590		RESTRICTED TO:	
3 PLC ± .005		SCALE: 4:1		SHEET 1 OF 2	
4 PLC ± -		REV: A			
ANGLES ± -					
MATERIAL: HOUSING: PPA; COLOR: BLACK; CONTACT: PHOSPHOR BRONZE		FINISH: 1			

LOC	DIST	REVISIONS			
AD	00	REV	DATE	BY	APPV
		1	SEE SHEET 1		

- 1 .000030 GOLD IN LOCALIZED PLATE AREA, .000150 TIN-LEAD ON SOLDER TAILS ALL OVER .000050 NICKEL.
- 2 USE .0465±.0010 DRILLED HOLE (#56 DRILL) WITH .001 MIN COPPER.
- 3 CIRCUIT IDENTIFICATION FEATURE OMITTED ON 10 POSITION HEADER ASSEMBLIES.
- 4 DIMENSION APPLIES AT BASE OF SHROUD.
- 5 THE NOTED DIMENSIONS APPLY AT THE MATING FACE OF THE HOUSING.
- 6  $\text{\textcircled{Y3}}$   $\text{\textcircled{Y4}}$  ARE LOCATED THE SAME AS  $\text{\textcircled{Y1}}$   $\text{\textcircled{Y2}}$  EXCEPT ON OPPOSITE SIDE OF HOUSING.
- 7 PADS ON THE OPPOSITE SIDE OF THE BOARD TO BE  $\phi$ .065 MINIMUM.
- 8 REFER TO NO. OF POSN. IN CHART FOR NUMBER OF SURFACES THAT ARE TO BE COPLALAR.
- 9 .000030 GOLD IN LOCALIZED PLATE AREA, .000150 TIN ON SOLDER TAILS, ALL OVER .000050 NICKEL.
- 10 VACUUM COVER SHOWN IN PHANTOM LINE.
- 11 VACUUM COVER DESIGNED FOR .100[4mm] DIA NOZZLE, VACUUM COVER TO BE REMOVED AFTER SOLDERING.
- 12 .265[6.75mm] MIN TARGET AREA FOR VACUUM PICK-UP.
- 13 PACKAGED IN TAPE & REEL PER EIA-481 SPECS.
- 14 PRELIMINARY - NOT RELEASED FOR PRODUCTION.

-	-	-	.000	.250	5	.430	12	$\Delta$ 146-1977590-1	
56MM	.000	1.150	1.150	2.450	49	2.630	100	$\Delta$ 146-1977590-0	
44mm	.000	.900	.900	1.950	39	2.130	80	$\Delta$ 145-1977590-9	
88mm	.000	.650	.650	1.450	29	1.630	60	$\Delta$ 145-1977590-8	
88mm	.025	.525	.525	1.200	24	1.380	50	$\Delta$ 145-1977590-7	
72mm	-	.400	.400	.950	19	1.130	40	$\Delta$ 145-1977590-6	
56mm	-	.275	.275	.700	14	.880	30	$\Delta$ 145-1977590-5	
56mm	-	.225	.225	.600	12	.780	26	$\Delta$ 145-1977590-4	
56mm	-	.200	.200	.550	11	.730	24	$\Delta$ 145-1977590-3	
44mm	-	.150	.150	.450	9	.630	20	$\Delta$ 145-1977590-2	
32mm	.494	-	.025	.200	4	-	10	$\Delta$ 145-1977590-1	
-	-	-	.000	.250	5	.430	12	$\Delta$ 141-1977590-1	
56MM	.000	1.150	1.150	2.450	49	2.630	100	$\Delta$ 141-1977590-0	
44mm	.000	.900	.900	1.950	39	2.130	80	$\Delta$ 141-1977590-9	
88mm	.000	.650	.650	1.450	29	1.630	60	$\Delta$ 141-1977590-8	
88mm	.025	.525	.525	1.200	24	1.380	50	$\Delta$ 141-1977590-7	
72mm	-	.400	.400	.950	19	1.130	40	$\Delta$ 141-1977590-6	
56mm	-	.275	.275	.700	14	.880	30	$\Delta$ 141-1977590-5	
56mm	-	.225	.225	.600	12	.780	26	$\Delta$ 141-1977590-4	
56mm	-	.200	.200	.550	11	.730	24	$\Delta$ 141-1977590-3	
44mm	-	.150	.150	.450	9	.630	20	$\Delta$ 141-1977590-2	
32mm	.494	-	.025	.200	4	-	10	$\Delta$ 141-1977590-1	
TAPE WIDTHS	G	F	E	D	C	B	A	NO OF POSN	PART NUMBER

THIS DRAWING IS A CONTROLLED DOCUMENT.

CHK: RAGHAVENDRA 06JAN09  
 APPV: F DAUBERT 06JAN09

STE TE Connectivity

NAME: F DAUBERT 06JAN09  
 PRODUCT SPEC: HEADER ASSEMBLY, W/SIDE & END LATCHES, VERTICAL, SHROUDED, DOUBLE ROW,SURFACE MOUNT, AMPMODU System 50, W/HOLDDOWNS

APPLICATION SPEC: -  
 SIZE: A1  
 CAGE CODE: 00779  
 DRAWING NO: 1977590

MATERIAL: HOUSING: PPA  
 COLOR: BLACK  
 CONTACT: PHOSPHOR BRONZE

FINISH: SEE TABLE

WEIGHT: -  
 CUSTOMER DRAWING

SCALE: 4:1  
 SHEET: 2 OF 2  
 REV: A