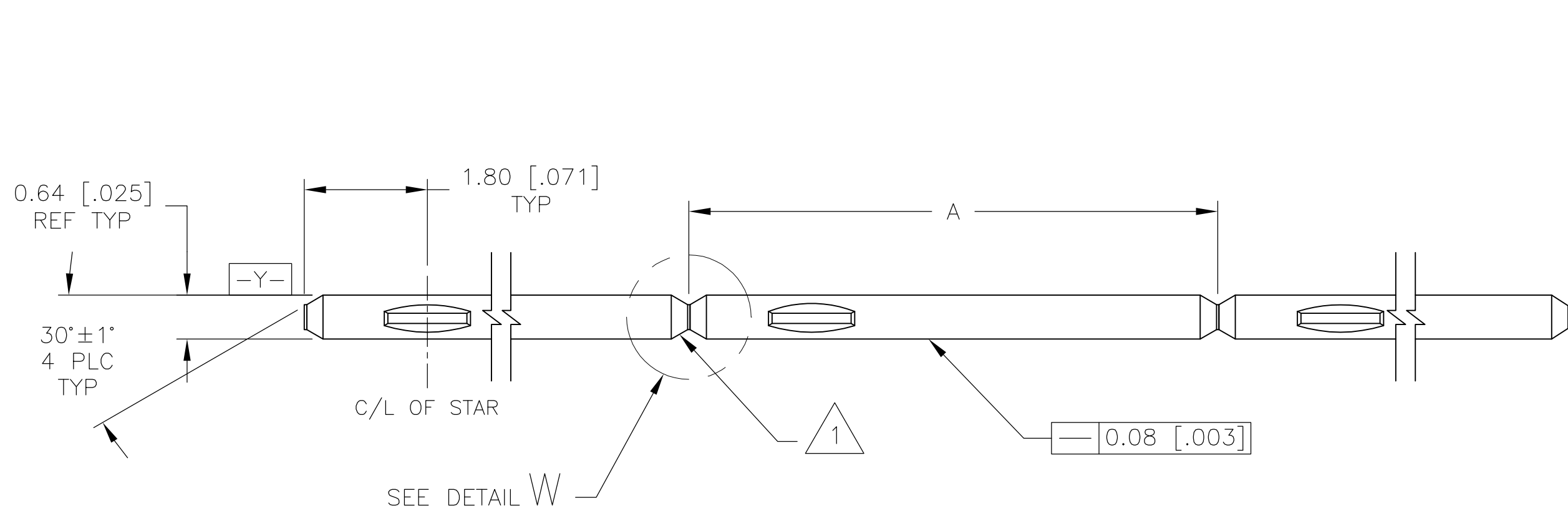
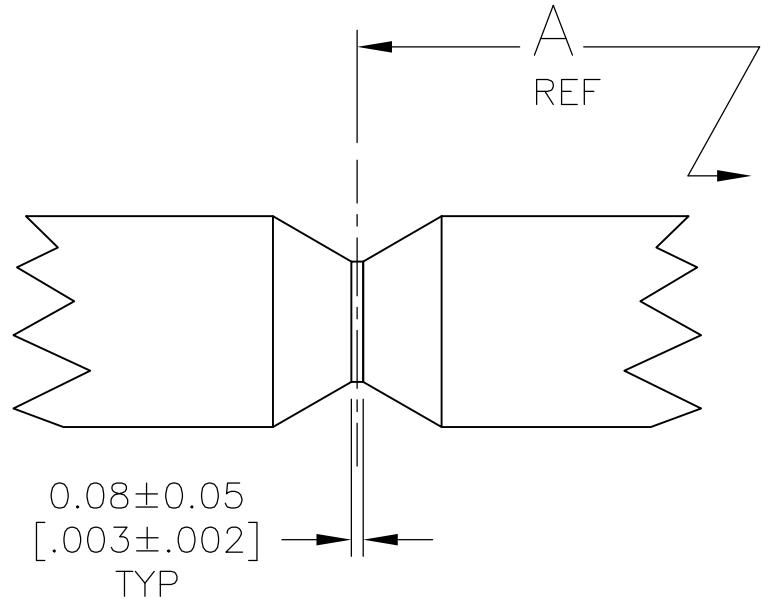


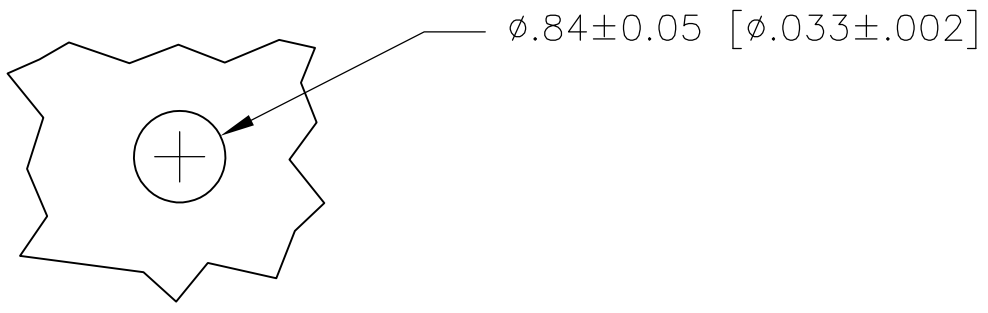
LOC		DIST		REVISIONS			
AD	00	P	LTR	DESCRIPTION	DATE	OWN	APVD
		A		ECO-07-020273	28aug07	MB	JG



- 1 THE NOTCHED EDGES AND POST TIPS WILL NOT BE PLATED.
- 2 0.000381 [.000015] GOLD OVER 0.00127 [.000050] MIN NICKEL.



DETAIL W
30:1



RECOMMENDED TIN PLATED HOLE SIZE

10.77 [.424]	1977161-1
A	PART NO.

THIS DRAWING IS A CONTROLLED DOCUMENT.		DWN M.BINNER 16JUL07	Tyco Electronics Corporation Harrisburg, PA 17105-3608	
DIMENSIONS: mm [INCHES]		CHK J. GESFORD 07JUL00	NAME .025 SQUARE CONTINUOUS POST WITH STAR FEATURE	
TOLERANCES UNLESS OTHERWISE SPECIFIED:		APVD J. GESFORD 07JUL00	PRODUCT SPEC	
0 PLC ± -		APPLICATION SPEC		
1 PLC ± -		114-13011		
2 PLC ± -		WEIGHT -		
3 PLC ± 0.13[.005]		SIZE A2		
4 PLC ± -		CAGE CODE 00779		
ANGLES ± -		DRAWING NO. 1977161		
FINISH		RESTRICTED TO		
BRASS		CUSTOMER DRAWING		
SCALE 15:1		SHEET 1 of 1		
REV A				