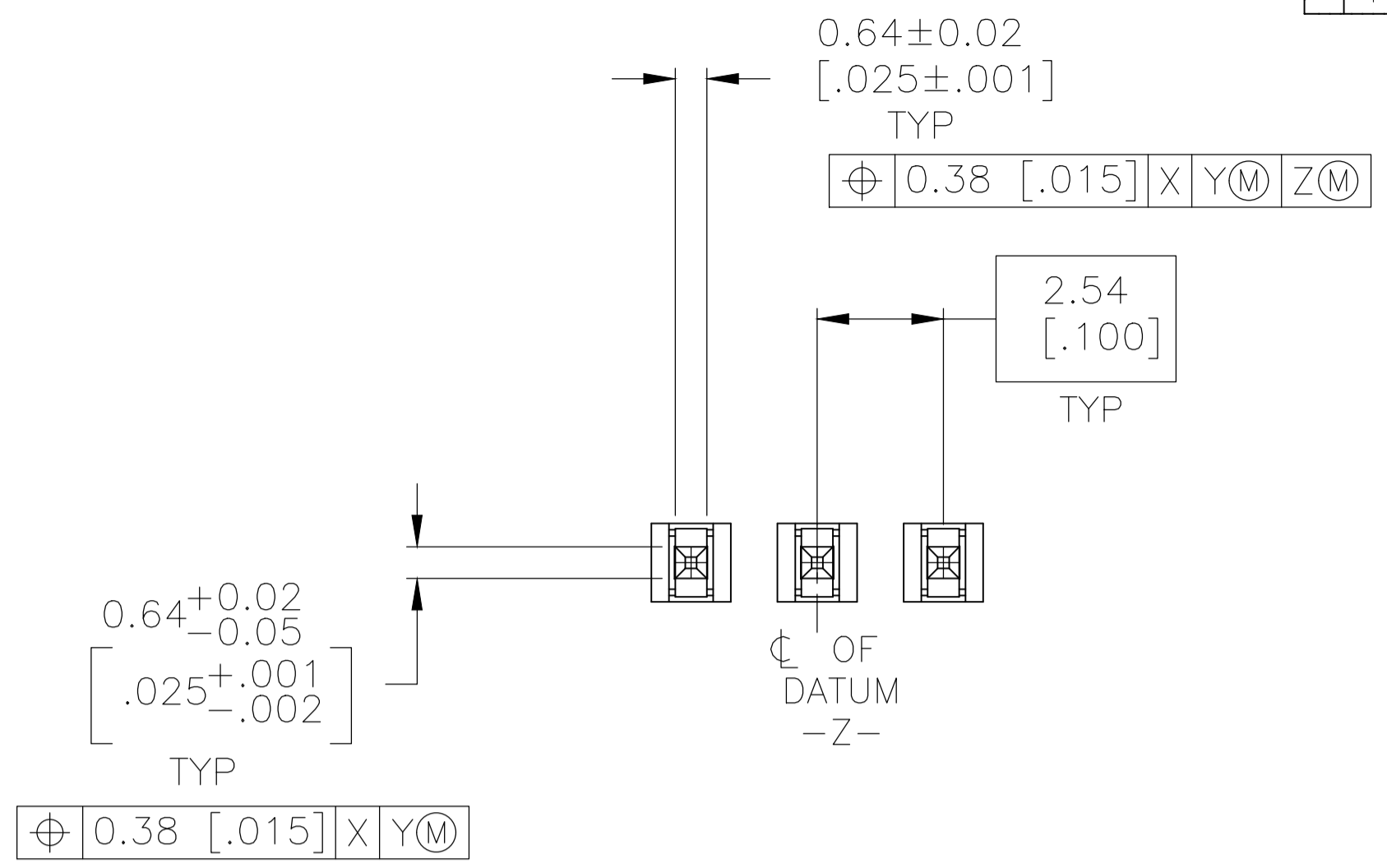
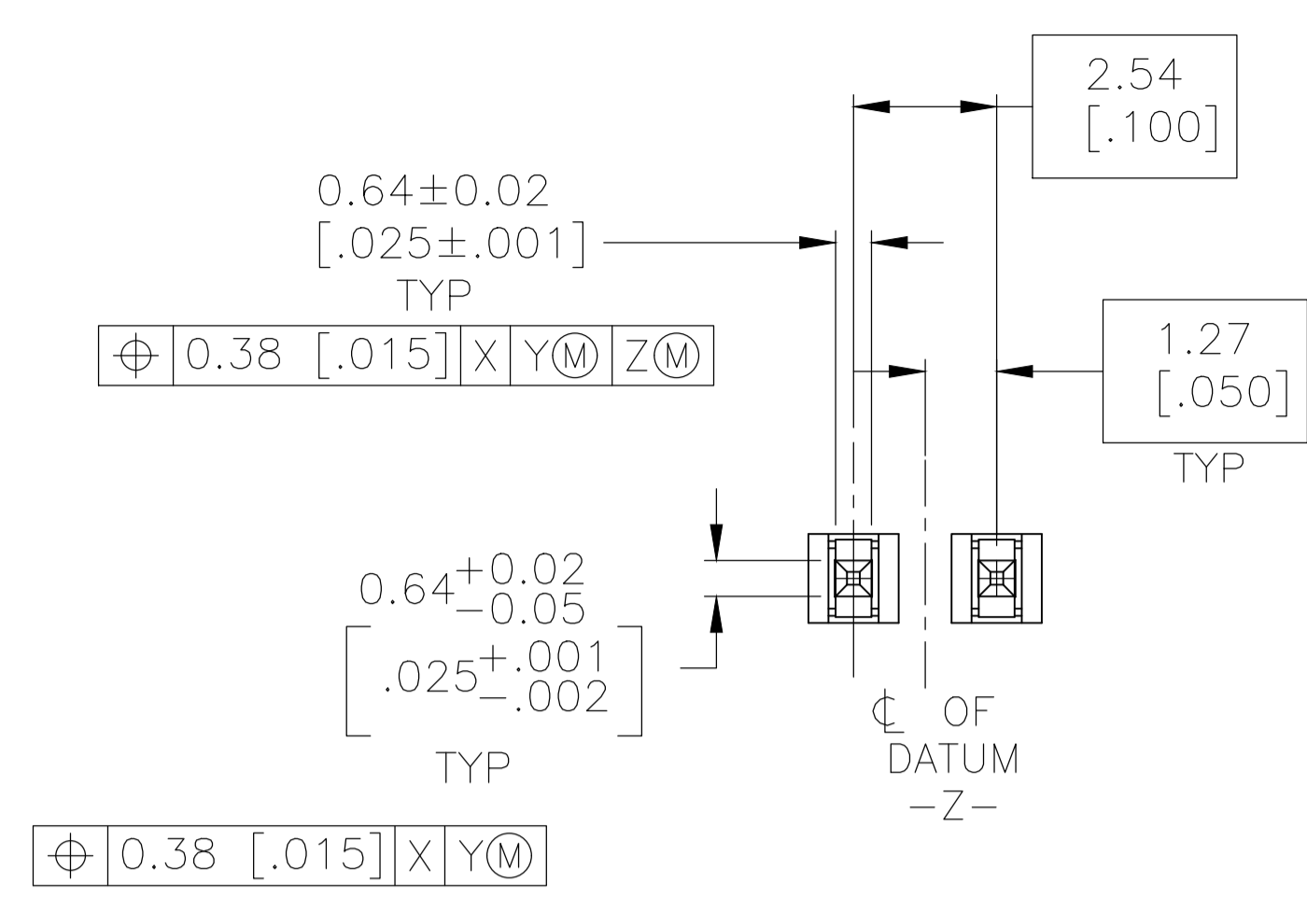
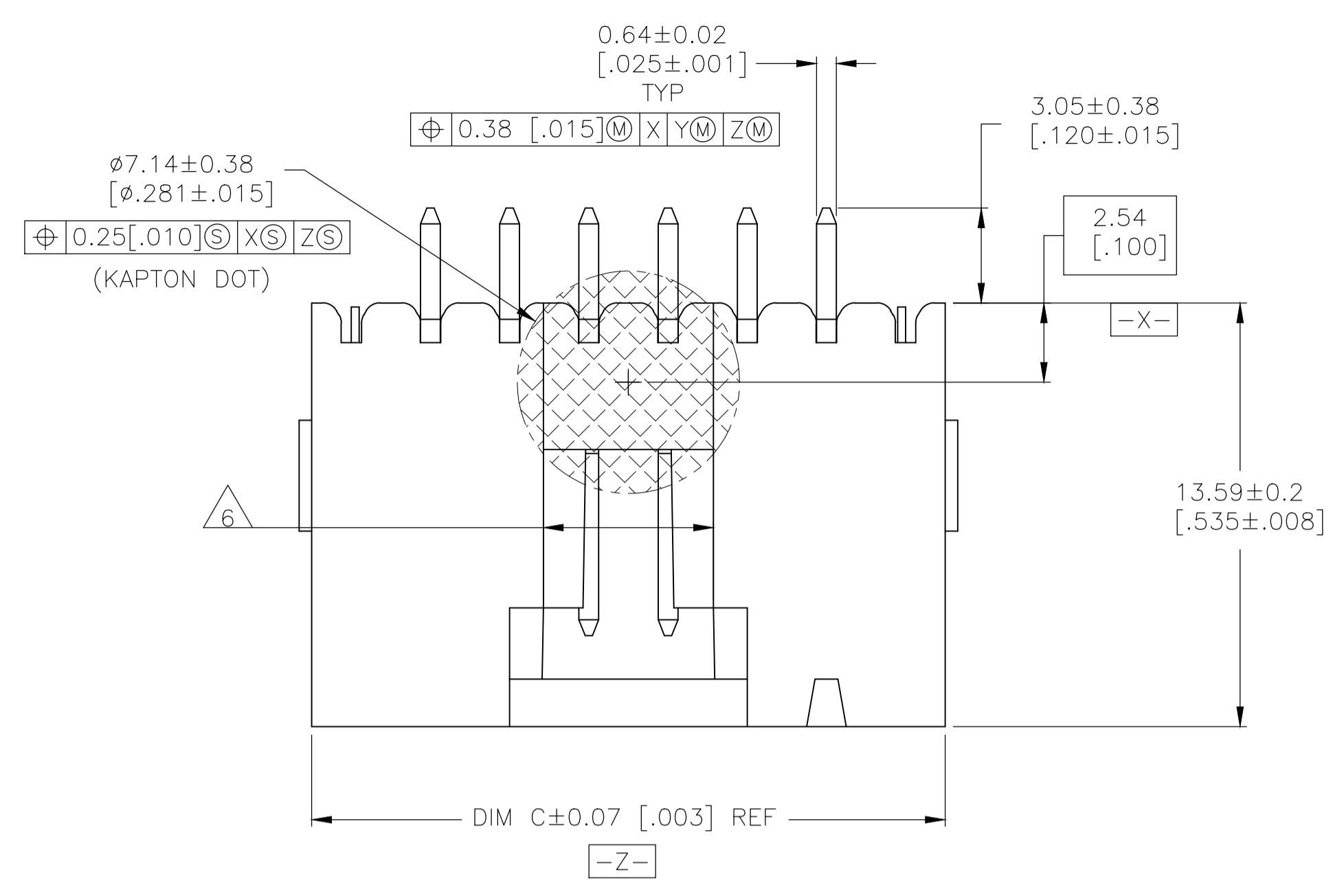
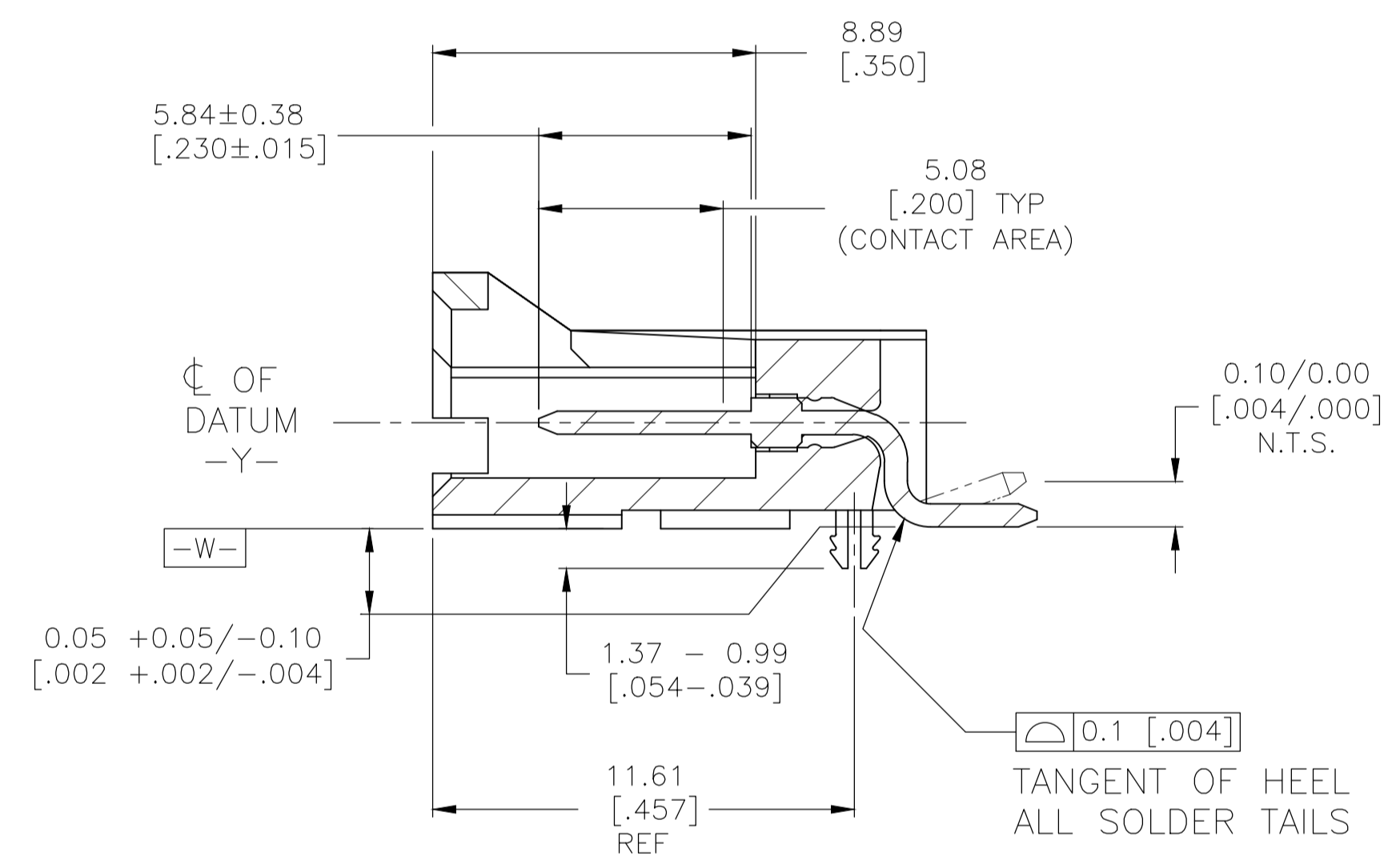
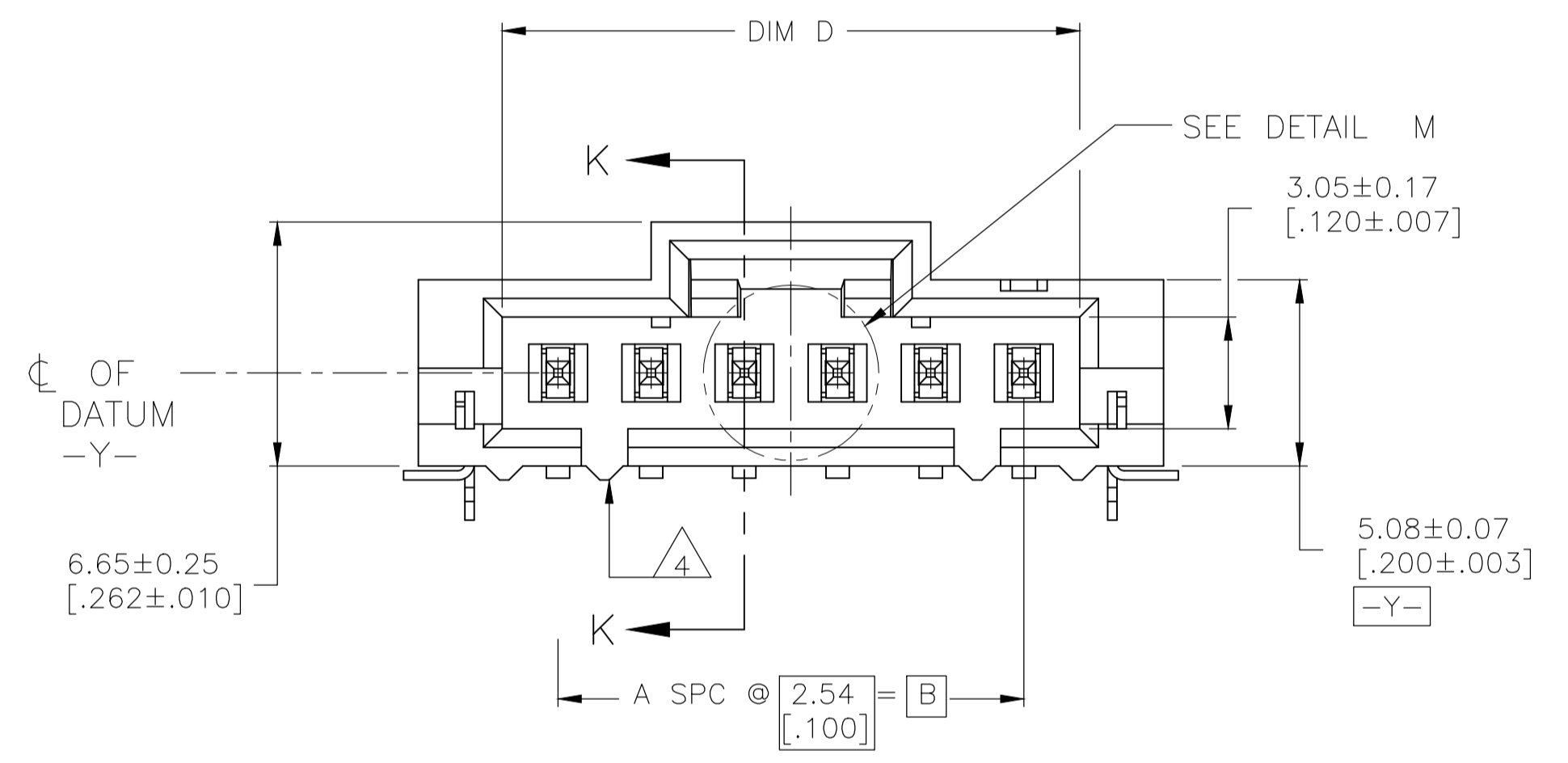


REVISIONS					
P	LTR	DESCRIPTION	DATE	DMN	APVD
4	REVISED PER	ECO-20-001912	28MAY2020	SB	JO



BASIC DIMENSIONS FOR
EVEN NUMBER OF POSITIONS
(SEE TABLE)
DETAIL M
SCALE 8:1

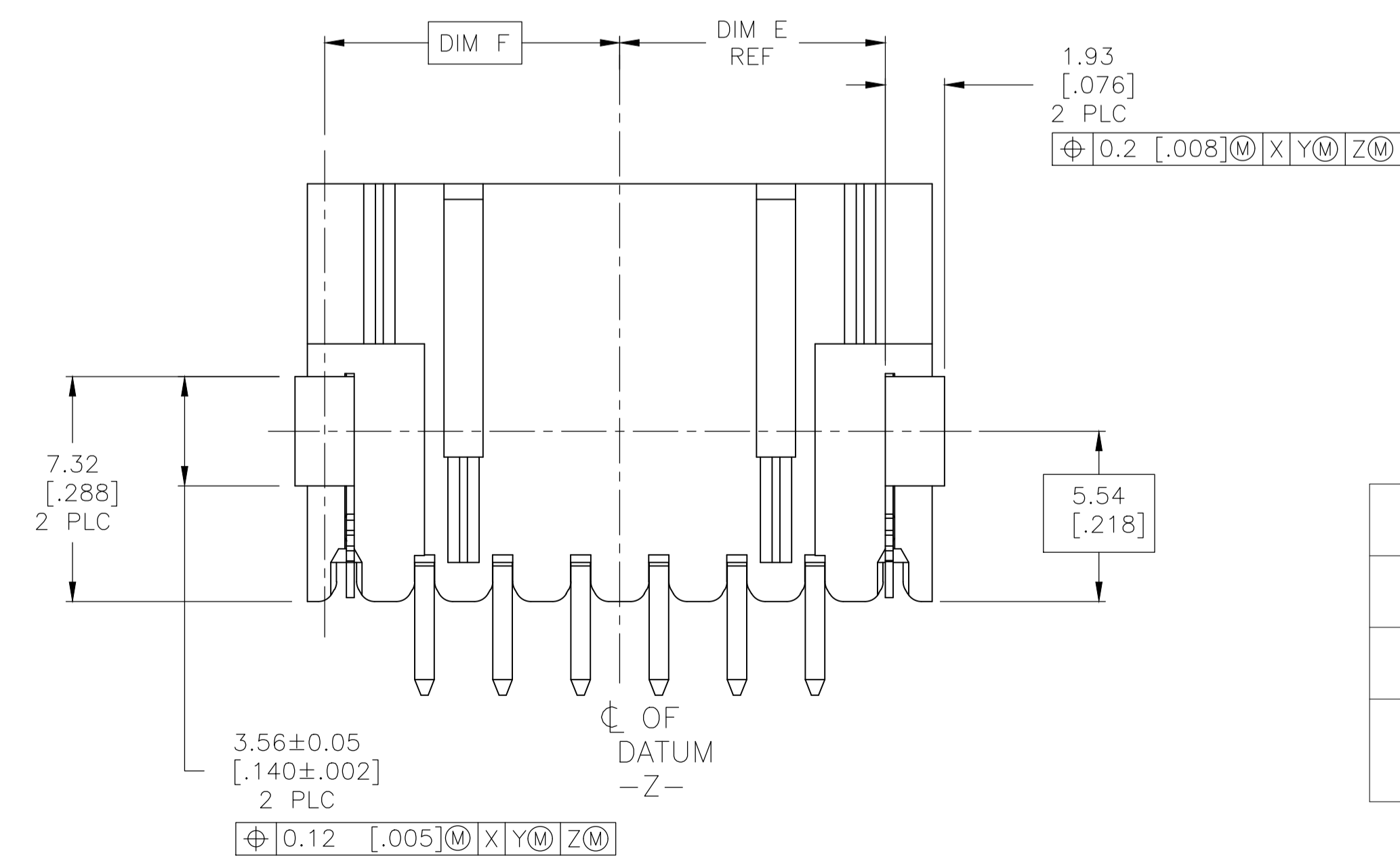
BASIC DIMENSIONS FOR
ODD NUMBER OF POSITIONS
(SEE TABLE)
DETAIL M
SCALE 8:1



- 1 HOUSING: LCP, COLOR-BLACK.
POST: BRASS.
- 2 POST: 0.00254-0.00508 [.000100-.00200] MATTE TIN OVER
0.00127-0.00254 [.000050-.000100] NICKEL.
- 3 DATUMS AND BASIC DIMENSIONS ESTABLISHED BY THE CUSTOMER.
- 4 TWO POLARIZATION SLOTS ON ASSEMBLIES WITH FOUR OR MORE
POSITIONS.
- 5 PACKAGED IN TAPE AND REEL PER EIA-481 SPECIFICATIONS
(SEE TABLE FOR TAPE WIDTH).
- 6 0.25 [.010] RECESS PERMISSIBLE IN THIS AREA FOR MOLD SHUT OFF

SECTION K-K

PRELIMINARY
NOT RELEASED FOR
PRODUCTION



2	24	9.91 [.390]	5.79 [.228]	4.83 [.190]	8.13 [.320]	12.57 [.495]	5.08 [.200]	2	3	1977142-3
2	24	7.37 [.290]	4.52 [.178]	3.56 [.140]	5.59 [.220]	10.03 [.395]	2.54 [.100]	1	2	1977142-2
2	24	12.45 [.490]	7.06 [.278]	6.10 [.240]	10.67 [.420]	15.11 [.595]	7.62 [.300]	3	4	1977142-1
PLATING	EIA 481 TAPE WIDTH mm	G	F	E	D	C	B	A	NO OF POSN	PART NUMBER

THIS DRAWING IS A CONTROLLED DOCUMENT.

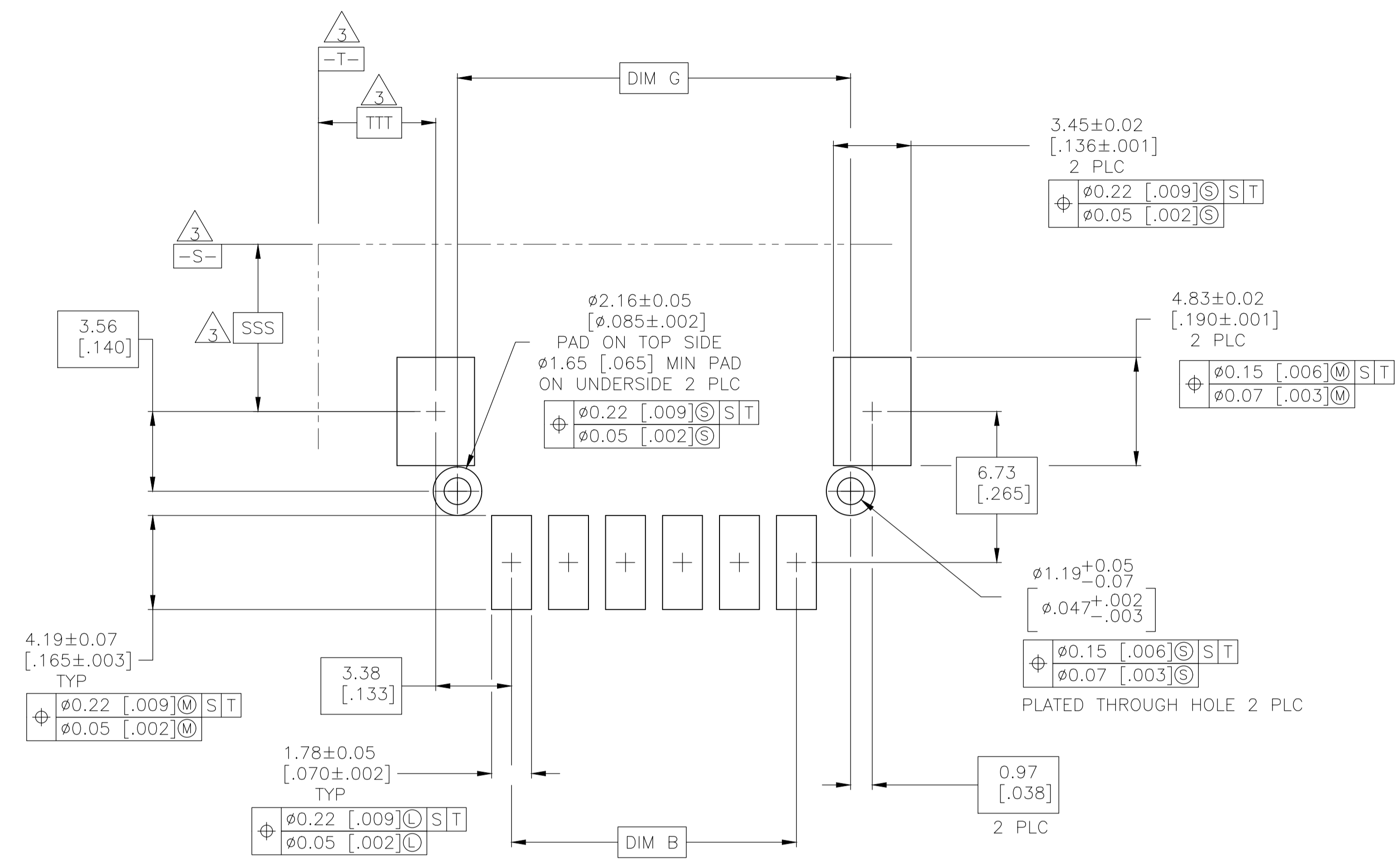
DIMENSIONS: mm [INCHES]	TOLERANCES UNLESS OTHERWISE SPECIFIED:	DIN R BROWN 30MAY2007	APVD J GESFORD 30MAY2007	NAME HDR ASSY,LATCHING,RIGHT
0 PLC ± -	1 PLC ± -	2 PLC ± -	3 PLC ± 0.13 [.005]	4 PLC ± -
ANGLES ± -	FINISH SEE TABLE	SIZE A1	WEIGHT -	SCALE 6:1
MATERIAL 1	SEE TABLE	CAGE CODE 00779	DRAWING NO 1977142	RESTRICTED TO CUSTOMER DRAWING

TE Connectivity Ltd.
AGL SRFCE MOUNT,MTE,
AMPMODU WITH KAPTON DOT

SIZE: A1 CAGE CODE: 00779 DRAWING NO: 1977142

SHEET 1 OF 2 REV 4

REVISIONS				
P	LTR	DESCRIPTION	DATE	APPD
-	-	SEE SHEET 1	-	-



RECOMMENDED PC BOARD LAYOUT

PRELIMINARY
NOT RELEASED FOR
PRODUCTION

THIS DRAWING IS A CONTROLLED DOCUMENT.		DIN R BROWN 30MAY2007	TE Connectivity Ltd.	
DIMENSIONS: mm [INCHES]		CHK J GESFORD 30MAY2007		
TOLERANCES UNLESS OTHERWISE SPECIFIED:		APPD J GESFORD 30MAY2007	NAME	
0 PLC ± -		PRODUCT SPEC	HDR ASSY,LATCHING,RIGHT	
1 PLC ± -		APPLICATION SPEC	AGL SRFCE MOUNT,MTE, AMPMODU WITH KAPTON DOT	
2 PLC ± -		SIZE	A1	RESTRICTED TO
3 PLC ± 0.13 [.005]		WEIGHT	100779	1977142
4 PLC ± -		CUSTOMER DRAWING	SCALE 6:1	SHEET 2 OF 2
ANGLES ± -				REV 4
MATERIAL				
FINISH SEE TABLE				