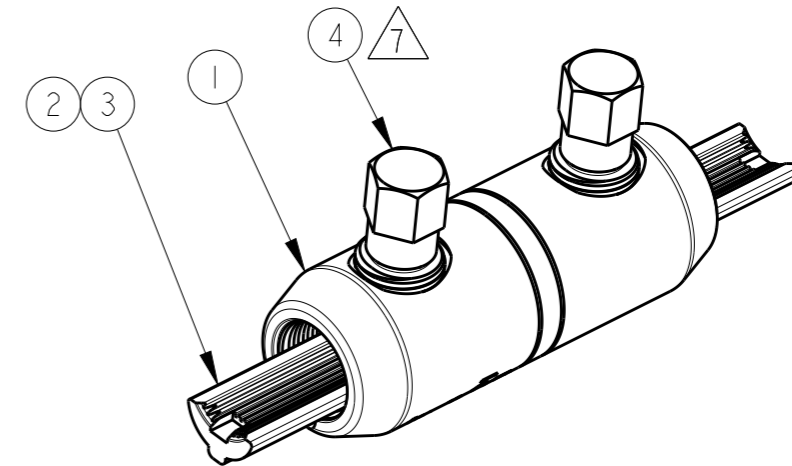
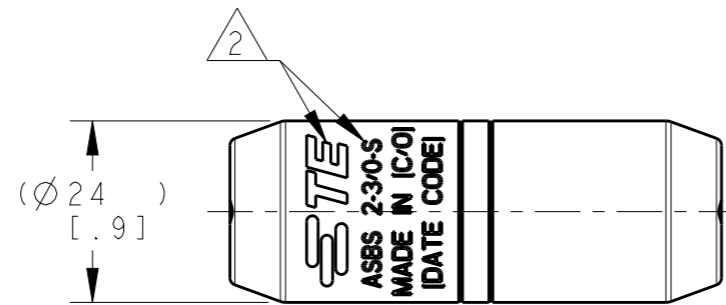
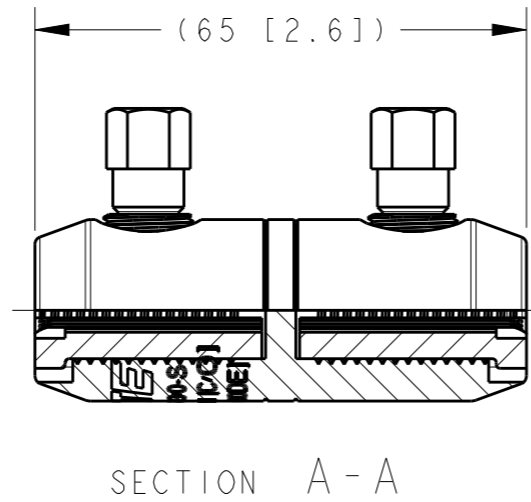
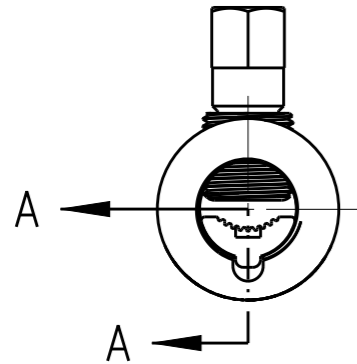


P	LTR	DESCRIPTION	DATE	DWN	APVD
	A	INITIAL REL. PER LC20-0064-12	18JUN2012	DM	BJ
	A1	LC20-0090-14 / ECO-14-009359	18JUN2014	DM	BJ
	B	LC20-0085-20 / ECO-20-012153	20AUG2020	DM	BJ



- ACCOMMODATES:
#2 AWG COMPACT Ø6.81 (.268 DIA) TO
3/0 AWG STANDARD Ø11.94 (.470 DIA)
ALUMINUM OR COPPER CONDUCTORS.

2 MARKING:



ASBS-2-3/0-S
MADE IN [COUNTRY OF ORIGIN]
[DATE CODE]

- INSERT SHALL BE REMOVED FOR
CONDUCTOR SIZES GREATER THAN
1/0 AWG COMPACT STRANDED,
Ø8.53 [.336 DIA].
- ALL DIMENSIONS ARE FOR REFERENCE ONLY.
- CONNECTOR CONTAINS FACTORY APPLIED
ANTI-OXIDE INHIBITOR.
- FINISH:
ELECTRO-TIN PLATED.

7 INSTALL BOLTS WITH 10 mm [3/8 inc]
HEX SOCKET.

ASBS-2-3/0-S	1974178-1
CATALOG NO	PART NO

QTY	DESCRIPTION	ITEM NO
1	INSTALLATION INSTRUCTION SHEET, 408-10429	6
1	ABRASIVE TAPE	5
2	MULTI SHEAR HEAD BOLT, M12 SIZE, ALUMINUM ALLOY	4
A/R	INHIBITOR	3
2	INSERT, ALUMINUM ALLOY, TIN PLATED	2
1	CONNECTOR SLEEVE BODY, ALUMINUM ALLOY, TIN PLATED	1

THIS DRAWING IS A CONTROLLED DOCUMENT.		DWN D. MURUGIAH 18JUN2012	TE Connectivity													
DIMENSIONS: mm [INCH]		CHK A. BULZA 18JUN2012														
TOLERANCES UNLESS OTHERWISE SPECIFIED:		APVD B. JOHNSON 20JUN2012	NAME SHEARBOLT SLEEVE CONNECTOR, ALUM, SOLID OIL STOP, 2 AWG CPT TO 3/0 AWG STD													
<table border="1"> <tr> <td>0 PLC</td> <td>±</td> </tr> <tr> <td>1 PLC</td> <td>±</td> </tr> <tr> <td>2 PLC</td> <td>±</td> </tr> <tr> <td>3 PLC</td> <td>±</td> </tr> <tr> <td>4 PLC</td> <td>±</td> </tr> <tr> <td>ANGLES</td> <td>±</td> </tr> </table>		0 PLC	±	1 PLC	±	2 PLC	±	3 PLC	±	4 PLC	±	ANGLES	±	PRODUCT SPEC -	SIZE A300779	
0 PLC	±															
1 PLC	±															
2 PLC	±															
3 PLC	±															
4 PLC	±															
ANGLES	±															
MATERIAL SEE BOM		APPLICATION SPEC -	DRAWING NO C-1974178													
FINISH SEE BOM		WEIGHT -	RESTRICTED TO													
CUSTOMER DRAWING		SCALE NTS	SHEET 1 OF 1 REV B													