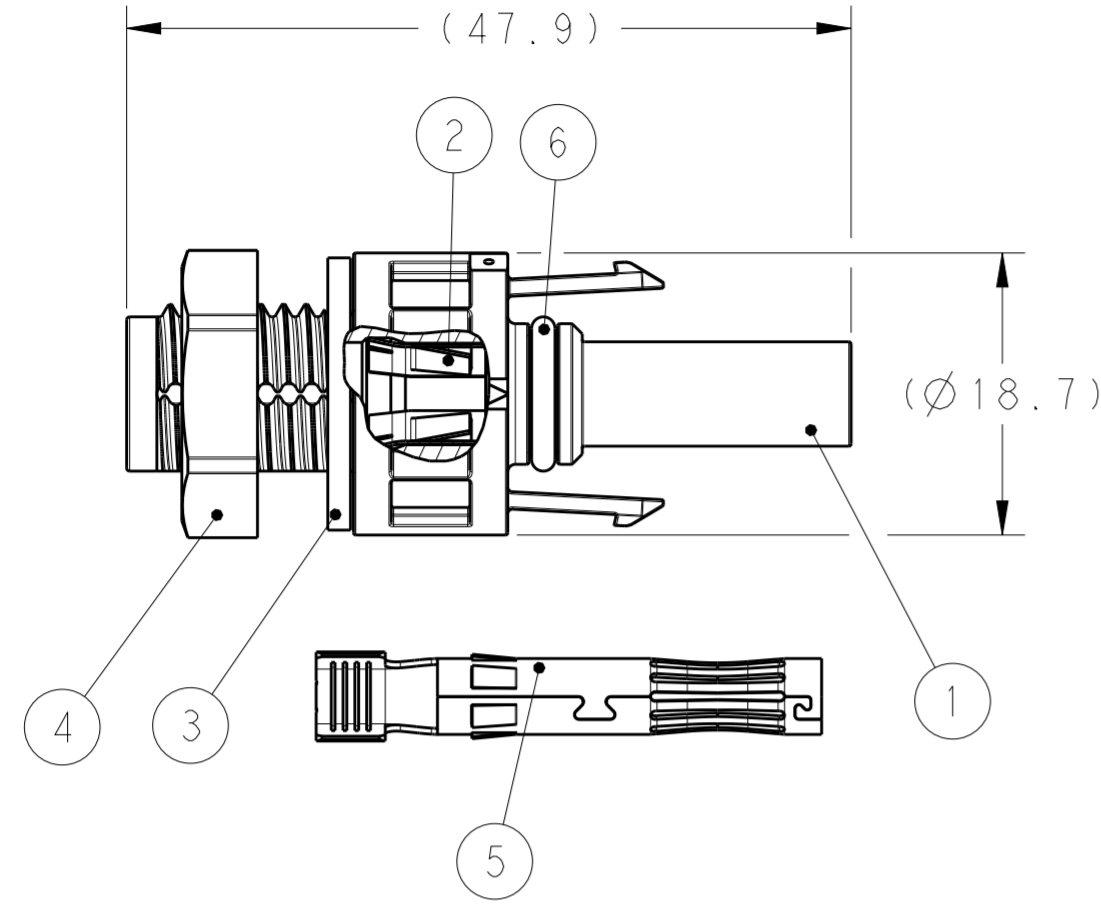
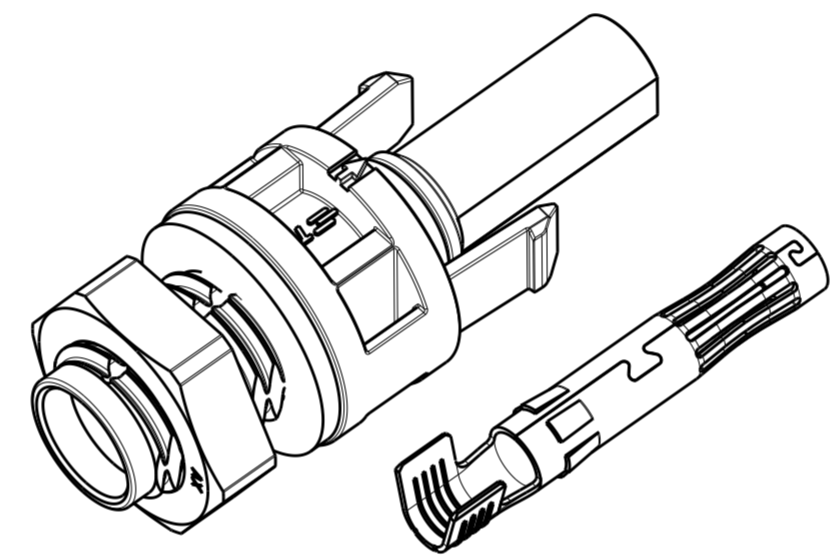
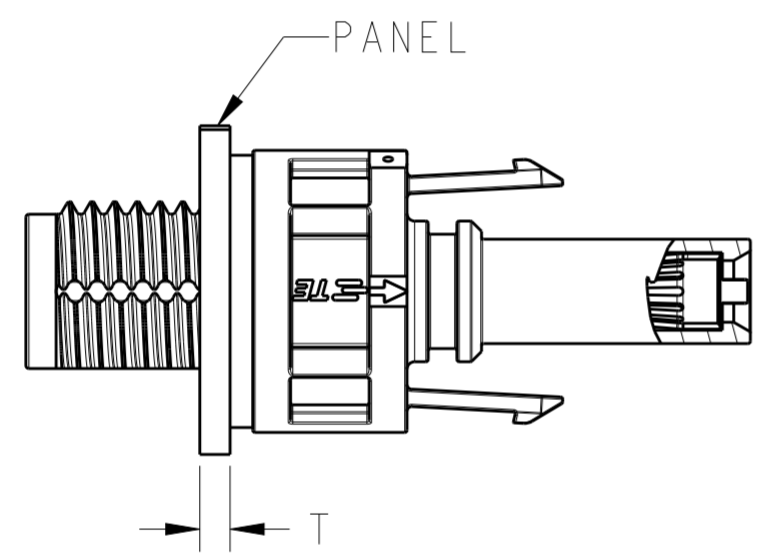


THIS DRAWING IS UNPUBLISHED. RELEASED FOR PUBLICATION 20
 © COPYRIGHT 20 TE CONNECTIVITY ALL RIGHTS RESERVED.

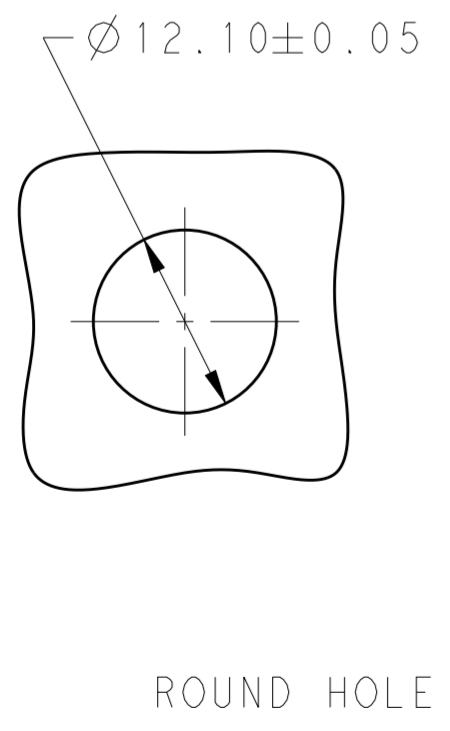
LOC		DIST		REVISIONS			
P	LTR	DESCRIPTION	DATE	DWN	APVD		
	A	ECR-14-000387	10JAN2014	LW	PY		
	A1	ECR-14-015136	10OCT2014	LW	PY		
	A2	ECR-15-005723	13APR2015	KR	TD		
	B	ECR-18-001422	26MAR2018	SG	SM		



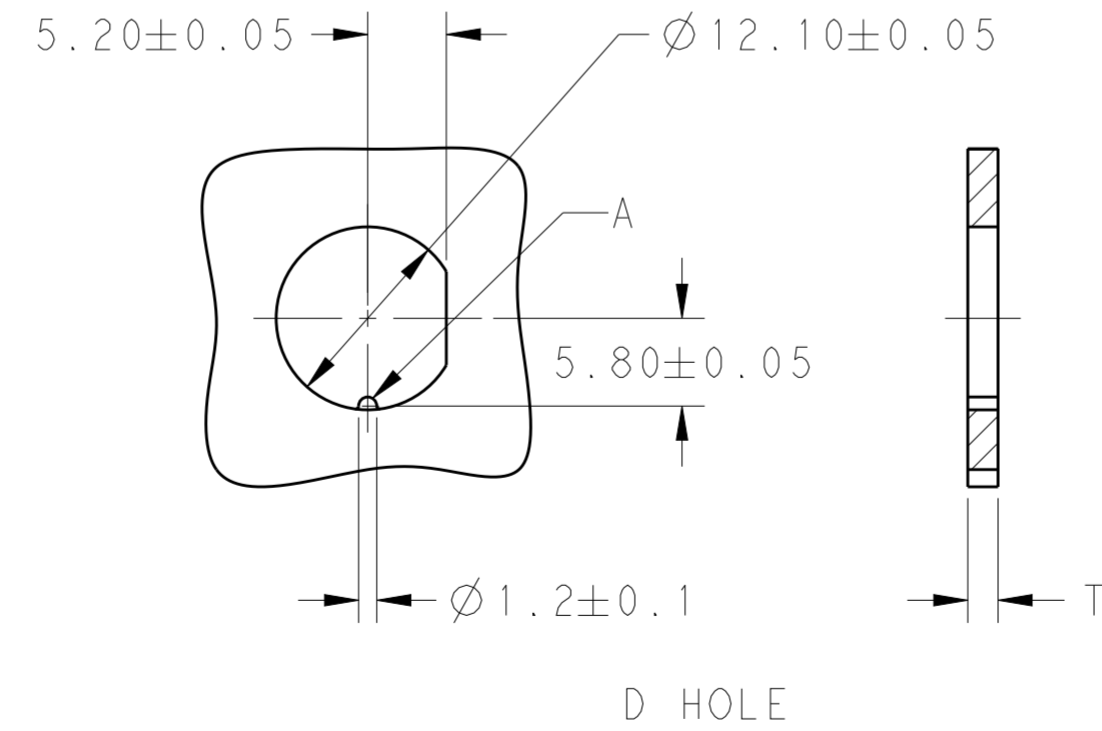
- △ 1 FLAT SEAL AND O-RING ASSEMBLED ON PIN HOUSING
- △ 2 NUT ENCLOSE LOOSELY
- △ 3 RECOMMENDED TIGHTENING TORQUE FOR NUT (ITEM NO.4) 1.0-1.2Nm WHEN ASSEMBLING AT PANEL WALL
- △ 4 USE ONLY CRIMPING TOOL OF TE CONNECTIVITY TO CRIMP CONTACT.
 - A. CRIMPING TOOL PN 6-1579014-9 WILL BE USED FOR CRIMPING THE CONTACTS HAVING WIRE SIZE 2.5mm² and 4.0mm².
 - B. CRIMPING TOOL PN 6-1579014-8 WILL BE USED FOR CRIMPING THE CONTACTS HAVING WIRE SIZE 4.0mm² and 6.0mm².



SCALE 2:1



ROUND HOLE



D HOLE

RECOMMENDED MOUNTING HOLE
 T(PANEL THICKNESS): 2-6mm
 FEATURE A DETERMINED BY CUSTOMER

QUANTITY	DESCRIPTION	ITEM
100	PACKAGING	
1-1971920-2	ORDER-NO.	
1	O-RING	6
1	SOCKET CONTACT, 2.5mm ² /14AWG	5
1	SOCKET CONTACT, 4~6mm ² /10~12AWG	5
1	NUT M12x1.5	4
1	FLAT SEAL	3
1	METAL CLIP RING	2
1	SOCKET HOUSING	1

THIS DRAWING IS A CONTROLLED DOCUMENT.

DIMENSIONS: mm	TOLERANCES UNLESS OTHERWISE SPECIFIED:	DWN: CHRIS WANG 28MAR2013	TE Connectivity
		CHK: DANIEL TAO 28MAR2013	
		APVD: PETER YIN 28MAR2013	
		NAME: SOCKET CONNECTOR KITS PV4 PANEL MOUNTED CONNECTOR	
		PRODUCT SPEC: 108-106122	SIZE: A2
		APPLICATION SPEC: 114-106122	CAGE CODE: 00779
MATERIAL: -		WEIGHT: -	DRAWING NO: C-1971920
		Customer Drawing	RESTRICTED TO: -

SCALE 2:1 SHEET 1 OF 1 REV B