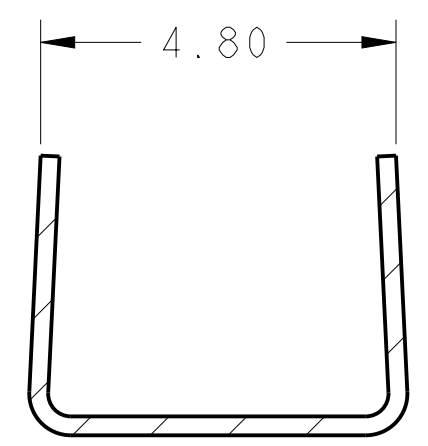
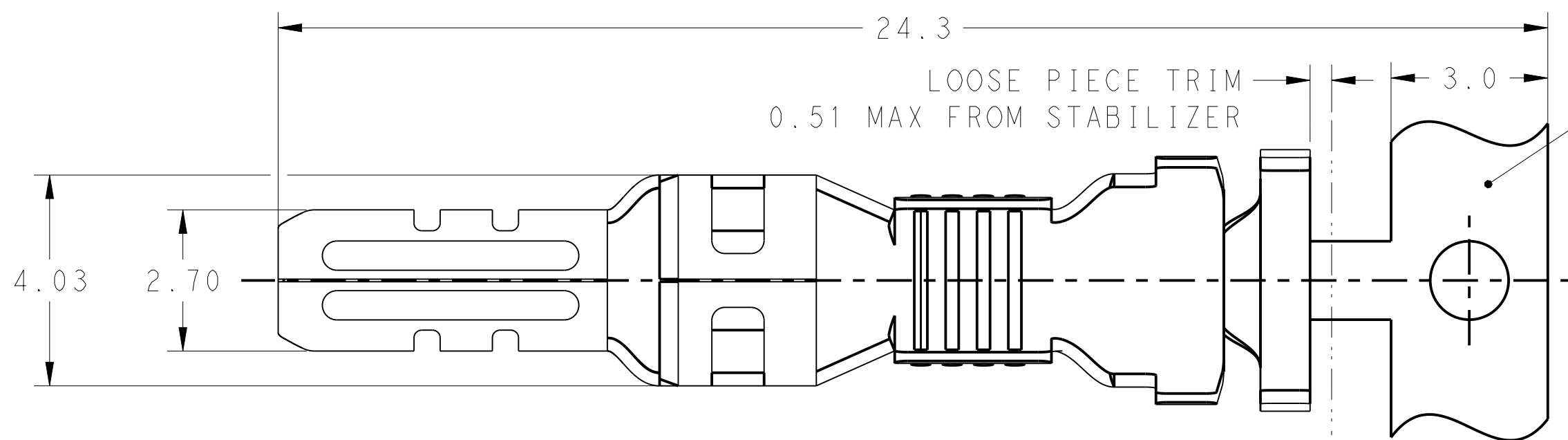


THIS DRAWING IS UNPUBLISHED. RELEASED FOR PUBLICATION 20
 © COPYRIGHT 20 BY - ALL RIGHTS RESERVED.

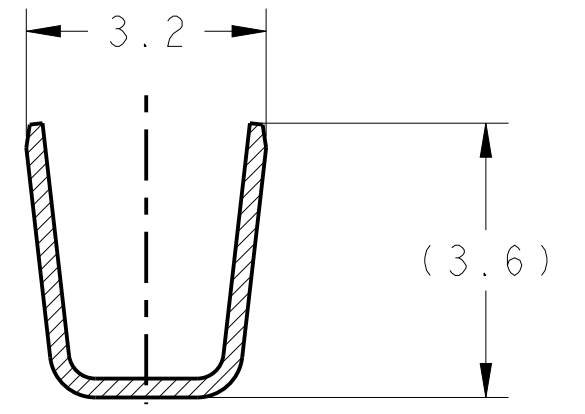
REVISIONS				
P	LTR	DESCRIPTION	DATE	APVD
E		REVISED PER ECR-21-100678	08APR2021	SS VS



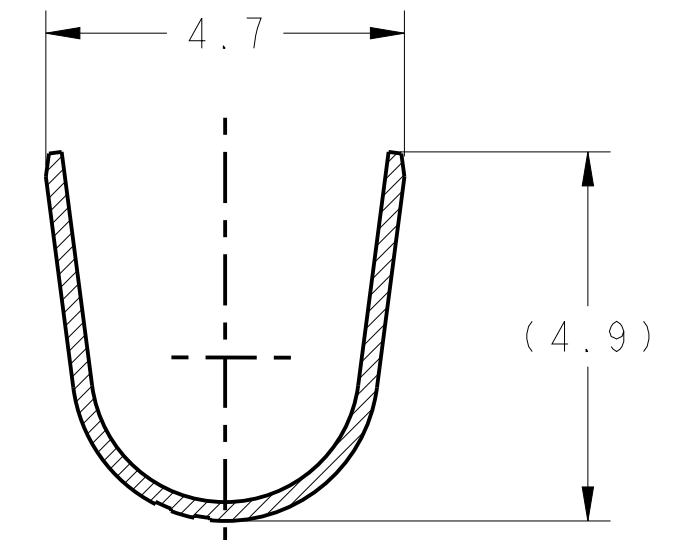
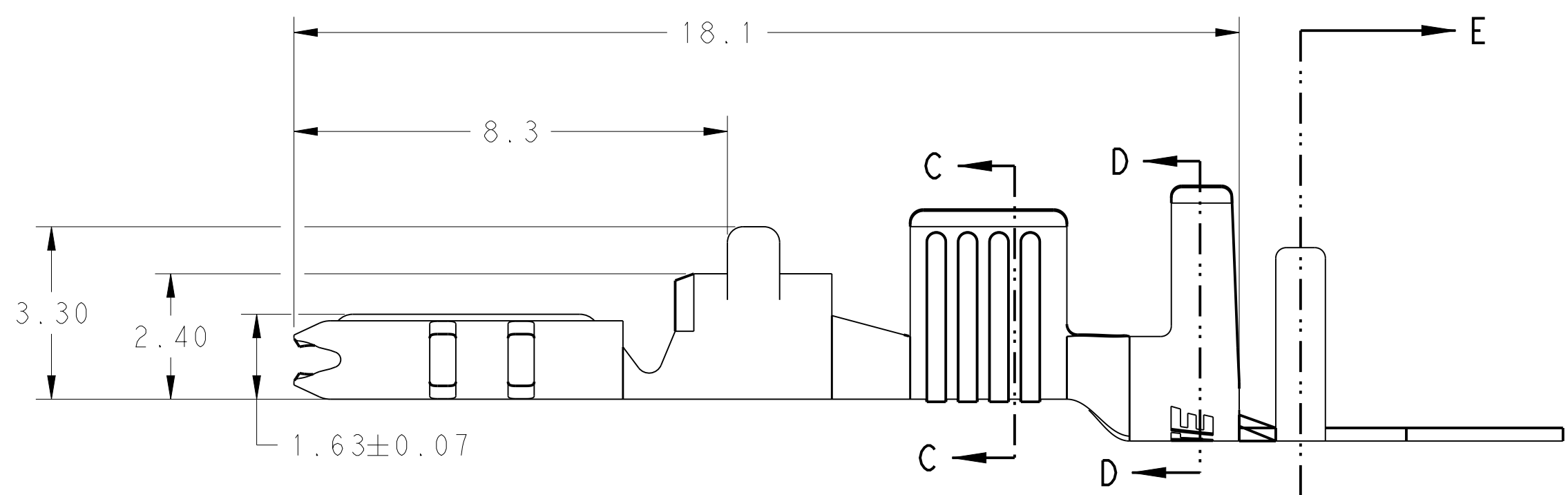
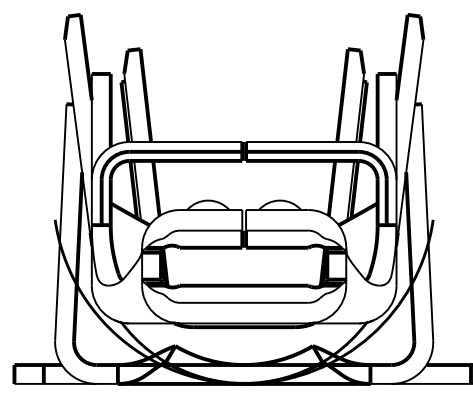
SECTION E-E



CARRIER NOT PRESENT ON LOOSE PIECE

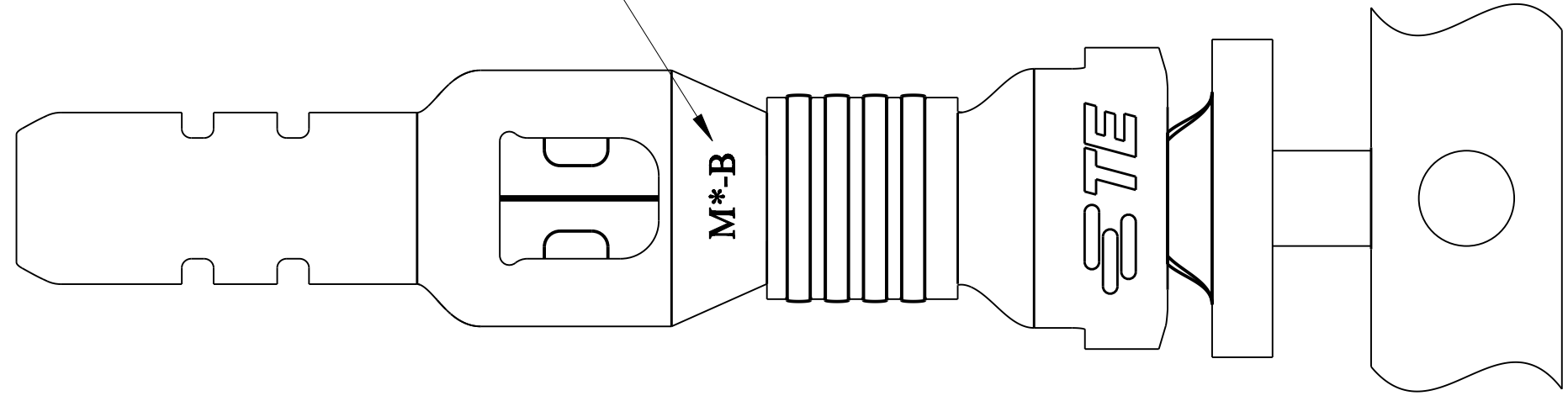


SECTION C-C



SECTION D-D

△ MATERIAL/SIZE MARK



1. RECOMMENDED WIRE RANGE: 14 AWG COPPER STRANDED (3500 - 4300 CMA)
 2. APPLICABLE INSULATION DIAMETER: 3.40~3.70mm
 3. APPLICABLE MATED CAP HOUSING P/N:
 -1971772-/*-1971775-*/*-1971875-*/
 -2232263-/*-2232264-*/*-2232356-*
- △ WIRE SIZE INDICATOR "B"=14 AWG

CONFIGURATION	MATERIAL	TEMP. RATING	MATERIAL/SIZE MARK	PART NO
LOOSE PIECE	COPPER ALLOY	HIGH(150°C)	M0-B	4-1971782-2
CONTINUOUS W CARRIER	COPPER ALLOY	HIGH(150°C)	M0-B	1971782-2
CONTINUOUS W CARRIER	BRASS	STANDARD(105°C)	M8-B	1971782-1

THIS DRAWING IS A CONTROLLED DOCUMENT.

DWN: TOMMY WU 11JUL2011	 TE Connectivity
CHK: HAPYE WU 11JUL2011	
APVD: YUHONG MAO 11JUL2011	
NAME: YUHONG MAO	
DIMENSIONS: mm	PRODUCT SPEC: 108-106118
TOLERANCES UNLESS OTHERWISE SPECIFIED:	APPLICATION SPEC: 114-106118
0 PLC ± -	WEIGHT: -
1 PLC ±0.5	SIZE: A2
2 PLC ±0.30	CAGE CODE: 00779
3 PLC ±	DRAWING NO: 1971782
4 PLC ±	RESTRICTED TO: -
ANGLES ±	SCALE: 5:1
FINISH PRE-TIN	SHEET: 1 OF 1
MATERIAL: SEE TABLE	REV: E

Customer Drawing