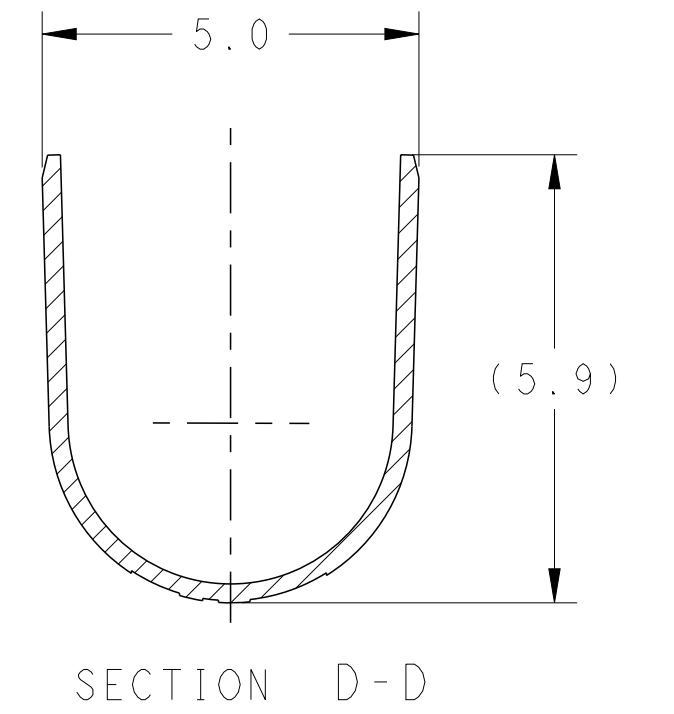
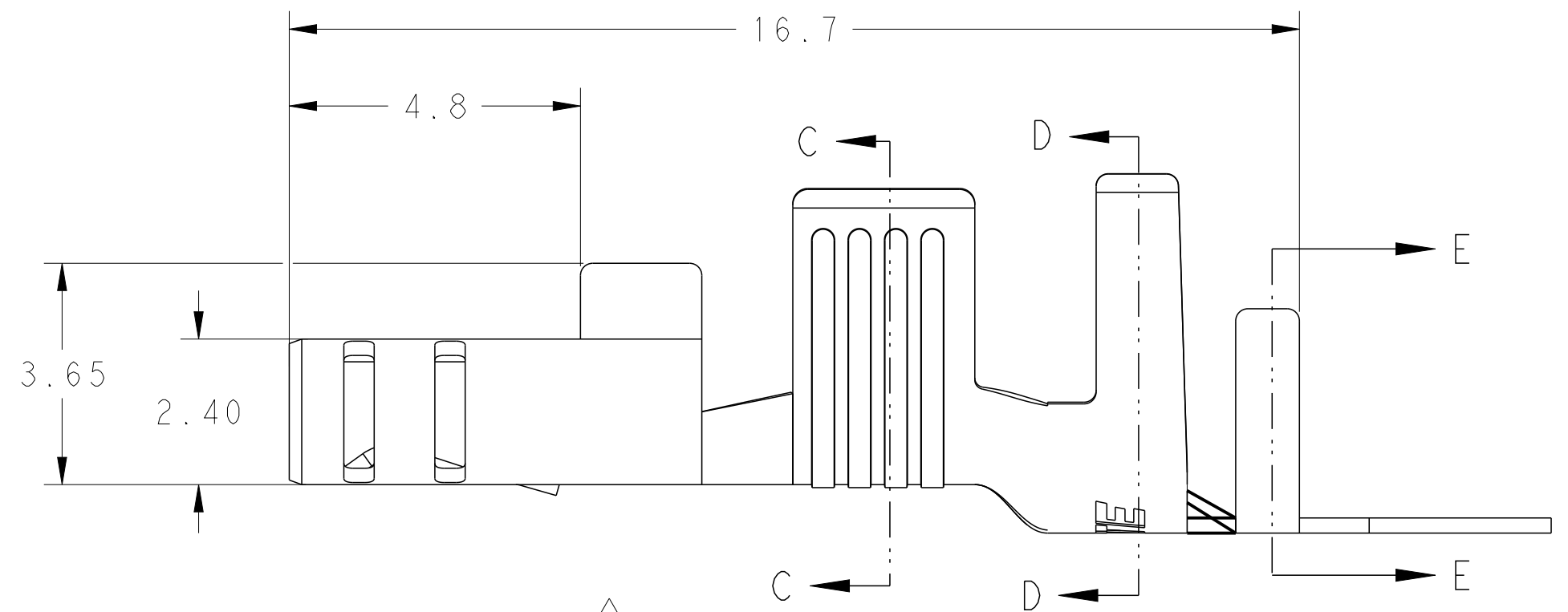
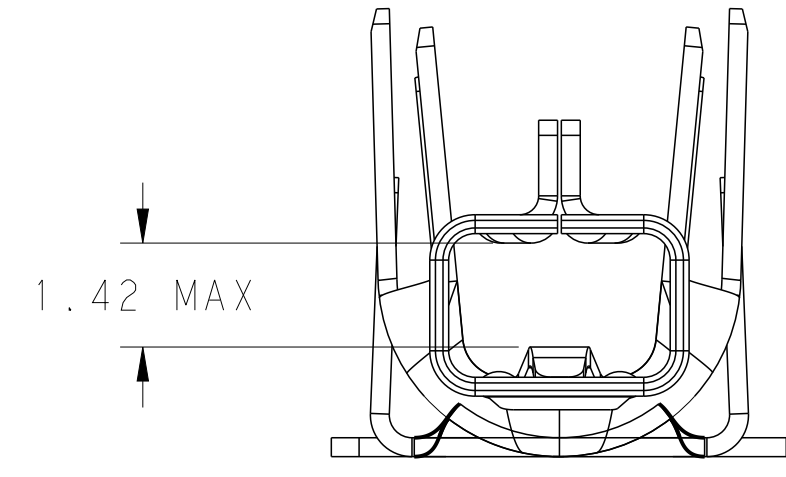
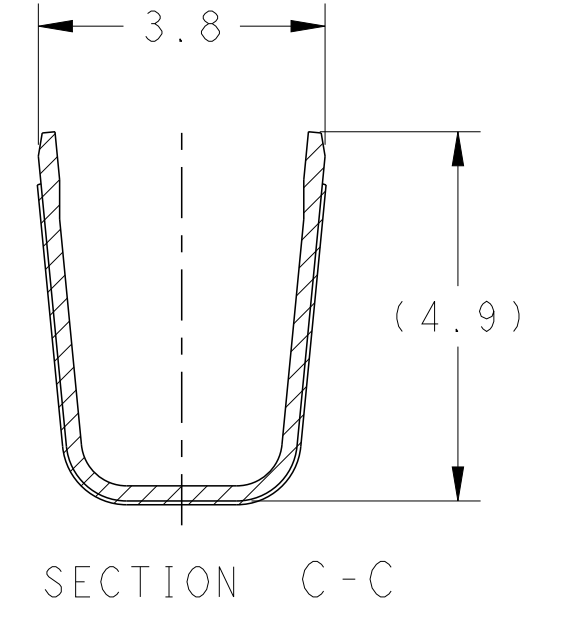
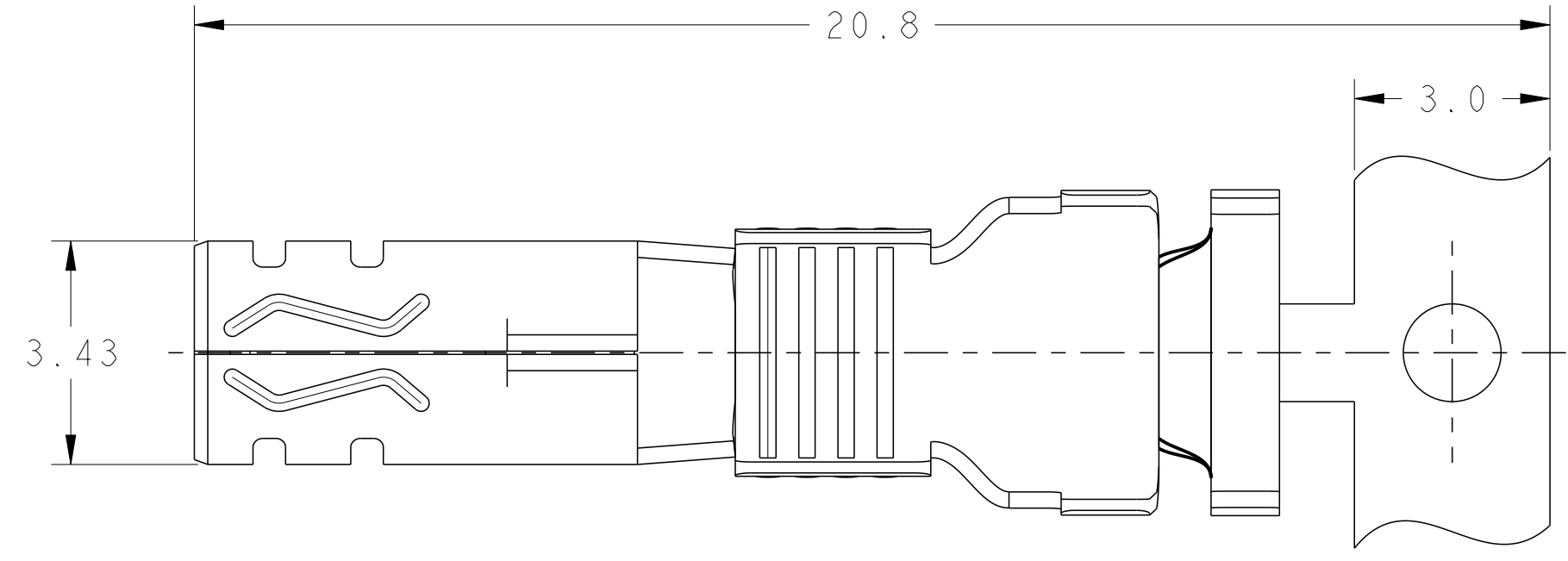
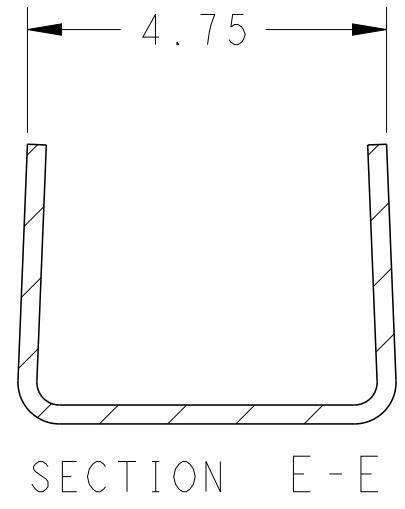
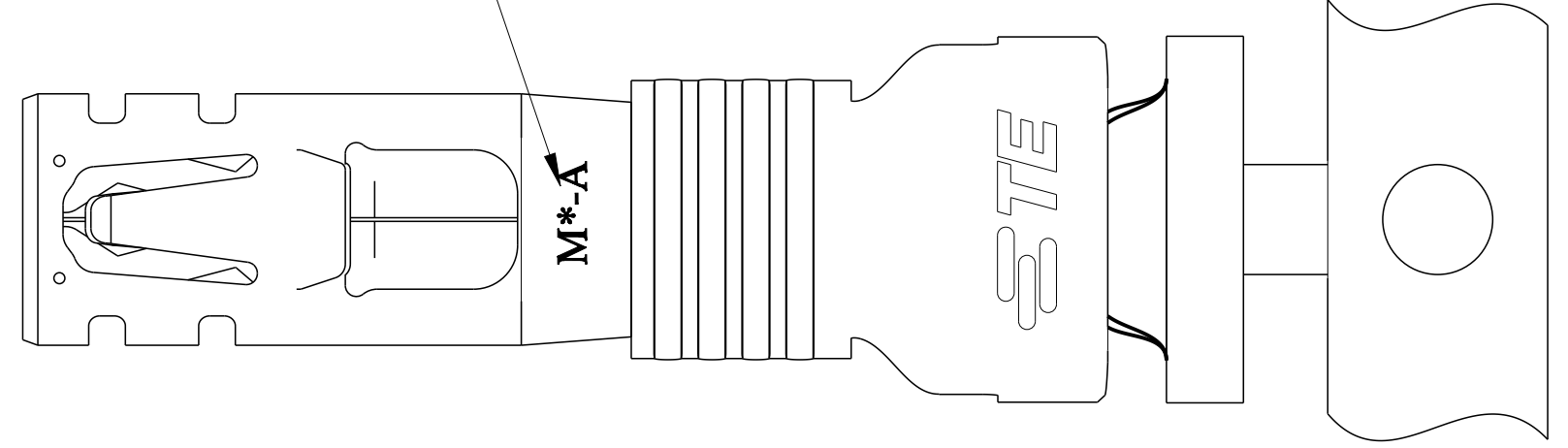


THIS DRAWING IS UNPUBLISHED. RELEASED FOR PUBLICATION 20  
 © COPYRIGHT 20 BY - ALL RIGHTS RESERVED.

| LOC | DIST | REVISIONS                 |           |     |      |
|-----|------|---------------------------|-----------|-----|------|
| P   | LTR  | DESCRIPTION               | DATE      | DWN | APVD |
| ES  | 00   |                           |           |     |      |
|     | F    | REVISED PER ECR-21-100678 | 08APR2021 | SS  | VS   |
|     | G    | REVISED PER ECR-23-182543 | 27JUL2023 | SKR | DS   |



MATERIAL/SIZE MARK



1. MATERIAL: COPPER ALLOY, PRE TIN PLATING.
2. RECOMMENDED WIRE RANGE: 12AWG COPPER STRANDED (6300-7700 CMA)
3. APPLICABLE INSULATION DIAMETER: 3.85~4.57mm.
4. APPLICABLE MATED PLUG HOUSING P/N:  
 \*-1971773-\*/\*-1971776-\*/\*-1971876-\*/  
 /\*-2232265-\*/\*-2232266-\*/\*-2232357-\*

SUPERSEDED BY 1971779-2

WIRE SIZE INDICATOR "A"=12 AWG

|                 |               |           |
|-----------------|---------------|-----------|
| HIGH(150°C)     | M0-A          | 1971779-2 |
| STANDARD(105°C) | M4            | 1971779-1 |
| TEMP. RATING    | MAT/SIZE MARK | PART NO   |

THIS DRAWING IS A CONTROLLED DOCUMENT.

|             |  |                           |  |
|-------------|--|---------------------------|--|
| DIMENSIONS: | TOLERANCES UNLESS OTHERWISE SPECIFIED: | DWN TOMMY WU 11JUL2012    | TE Connectivity<br>RECEPTACLE CONTACT<br>POWER TRIPLE LOCK |
| mm          | 0 PLC ±                                | CHK HAPYE WU 11JUL2012    |  |
|             | 1 PLC ±0.5                             | APVD YUHONG MAO 11JUL2012 |  |
|             | 2 PLC ±0.30                            | PRODUCT SPEC              |  |
| MATERIAL    | 3 PLC ±                                | APPLICATION SPEC          | SIZE CAGE CODE DRAWING NO RESTRICTED TO                    |
|             | 4 PLC ±                                | WEIGHT                    | A200779 C-1971779  |
|             | ANGLES ±                               | Customer Drawing          | SCALE 6:1 SHEET 1 OF 1 REV G                               |
|             | FINISH ±                               |                           |  |