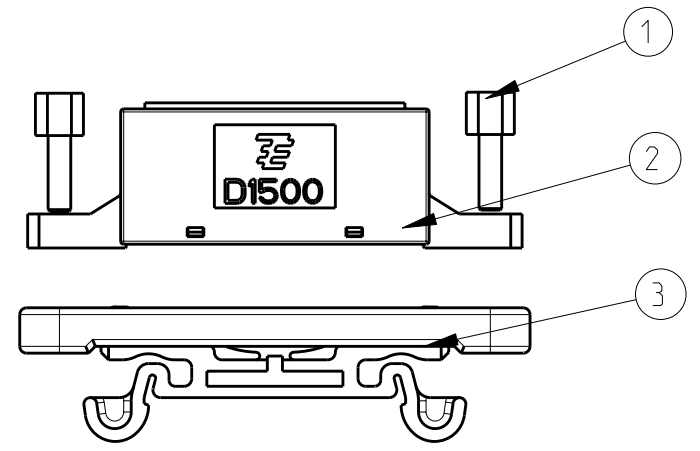
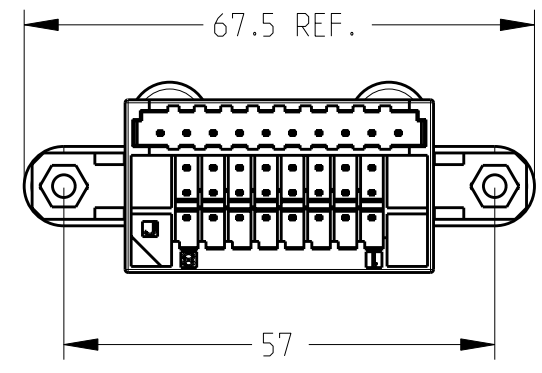


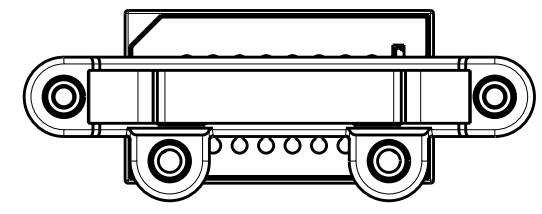
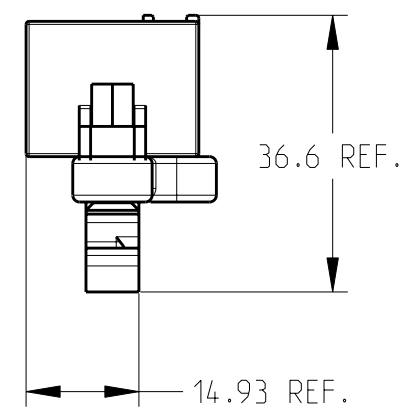
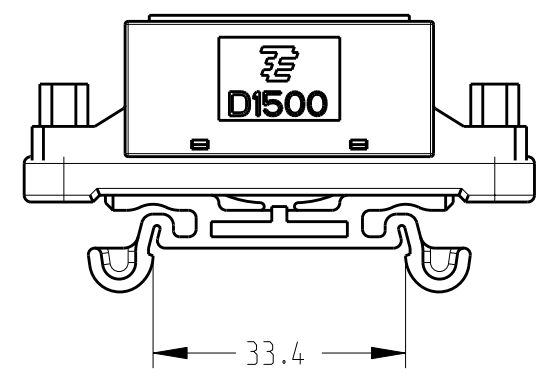
THIS DRAWING IS UNPUBLISHED. RELEASED FOR PUBLICATION 20
 © COPYRIGHT 20 BY TYCO ELECTRONICS CORPORATION. ALL RIGHTS RESERVED.

LOC ES DIST 00

REVISIONS				
P	LTR	DESCRIPTION	DATE	APVD
	A	INITIAL DRAWING	19SEP2008	L.W J.Z



NOTES:
 1. GENERAL TOLERANCE: ±0.4
 2. COMPONENTS TABLE
 3. COMPATIBLE WITH TE PART: 1971151-2. AND THE SCREW WOULD BE M3



Q'TY	PART DESCRIPTION	MATERIAL	ITEM
1	DIN FOOT ATTACHMENT	ASSEMBLY	③
1	D1500 JUNCTION BOX	PBT UL94V-0 BLACK	②
2	SCREW	STEEL	①

<small>THIS DRAWING IS A CONTROLLED DOCUMENT FOR TYCO ELECTRONICS CORPORATION IT IS SUBJECT TO CHANGE AND THE CONTROLLING ENGINEERING ORGANIZATION SHOULD BE CONTACTED FOR THE LATEST REVISION.</small>		DWN LEO WANG 19SEP2008 CHK SAM WU 19SEP2008 APVD JULIAN ZHOU 19SEP2008		Tyco Electronics Shanghai China	
DIMENSIONS: mm 		TOLERANCES UNLESS OTHERWISE SPECIFIED: 0 PLC ±- 1 PLC ±0.5 2 PLC ±0.13 3 PLC ±0.013 4 PLC ±0.0001 ANGLES ±-		NAME: DIN FOOT ATTACHMENT KIT FOR D1500 JUNCTION BOX	
MATERIAL -		FINISH -		PRODUCT SPEC - APPLICATION SPEC - WEIGHT -	
RESTRICTED CUSTOMER				SIZE A3 CAGE CODE 00779 DRAWING NO C-1971190	RESTRICTED TO -
				SCALE 1:1	SHEET 1 OF 1 REV A