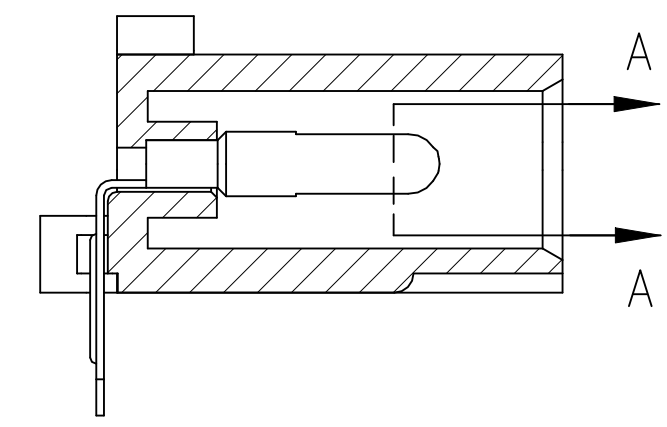
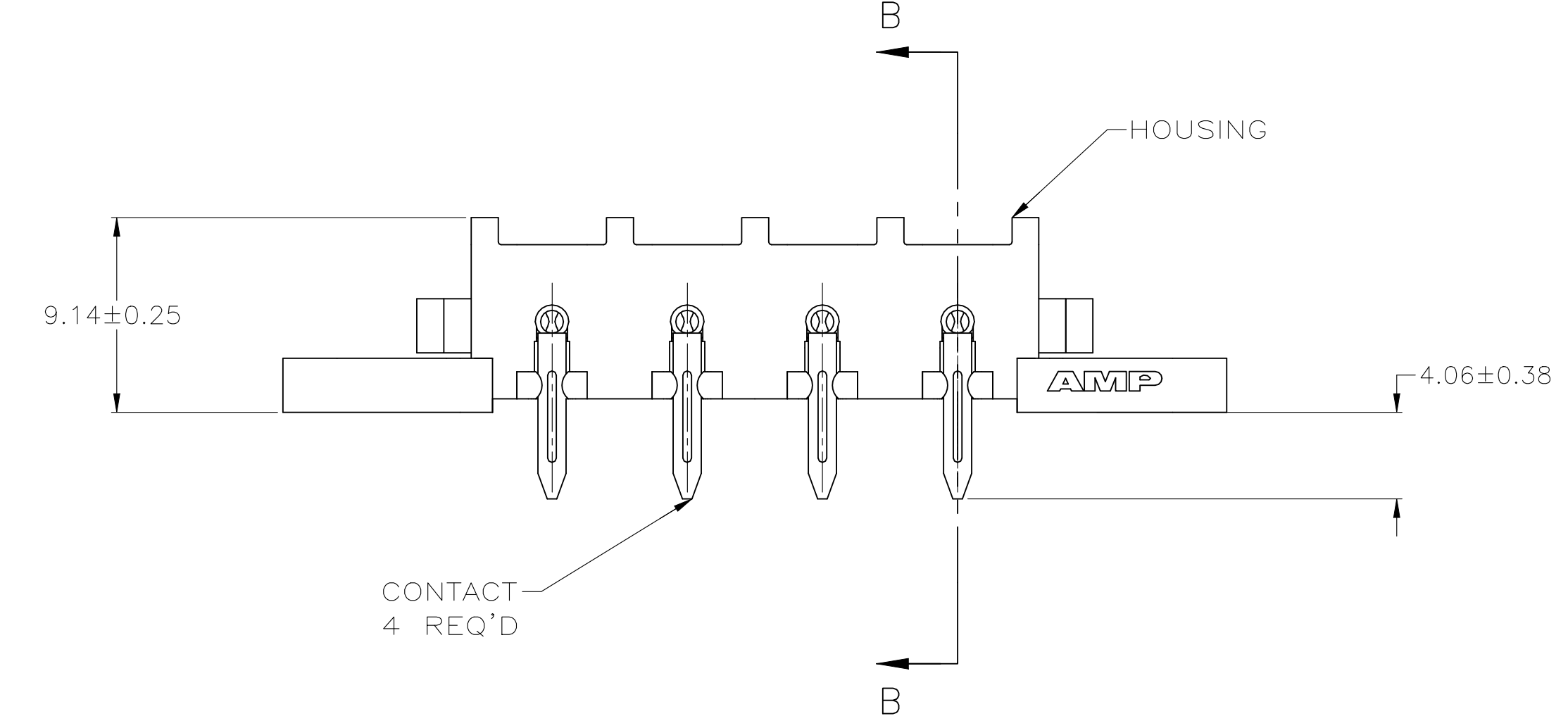
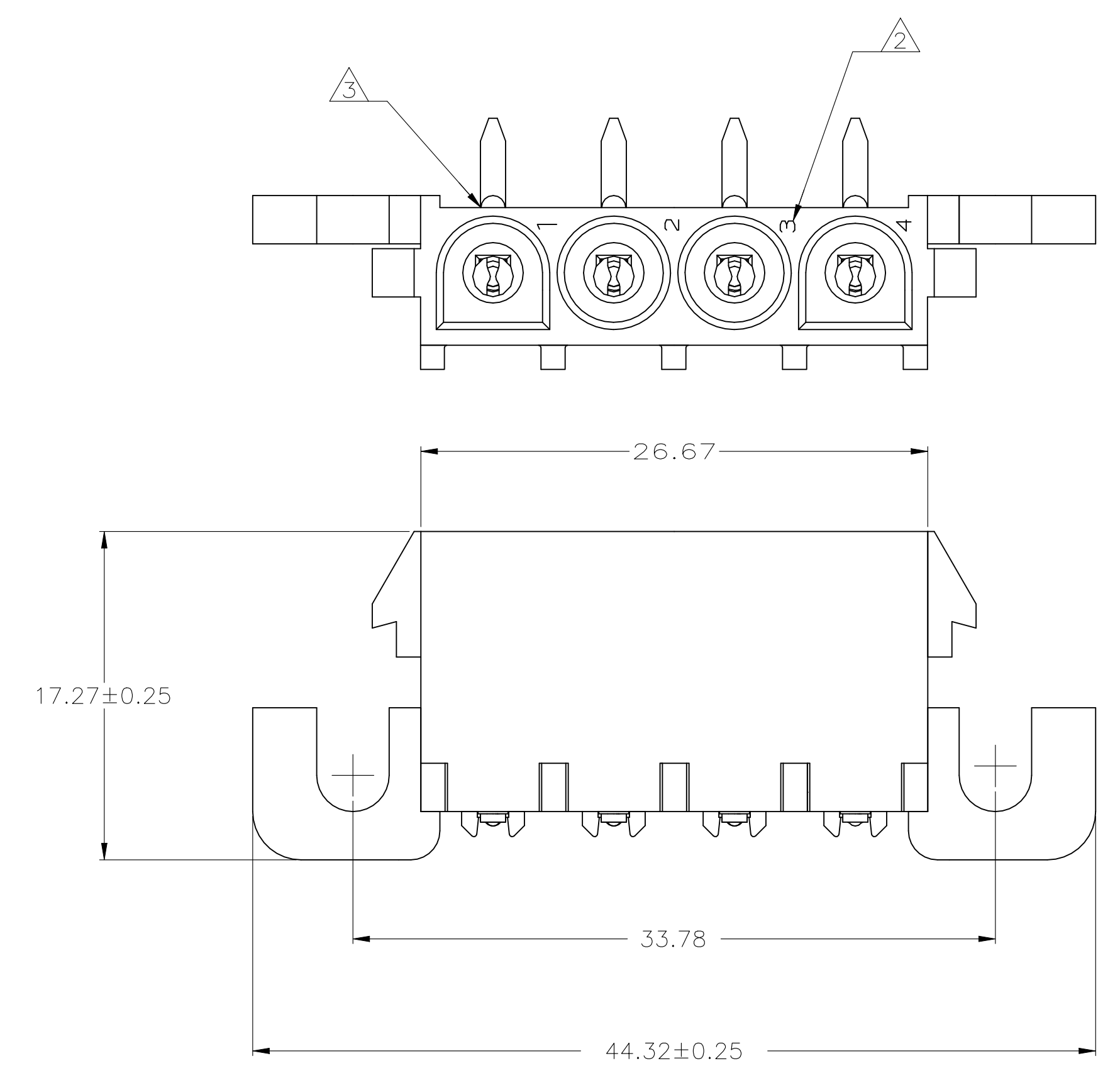
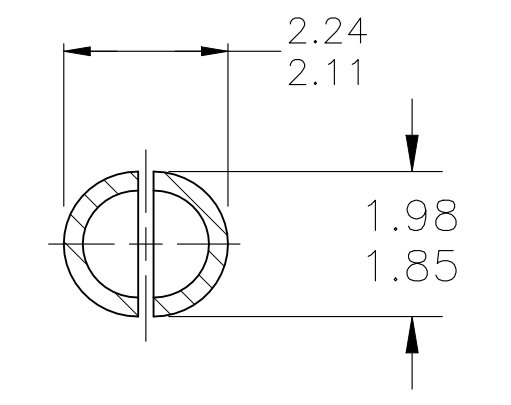


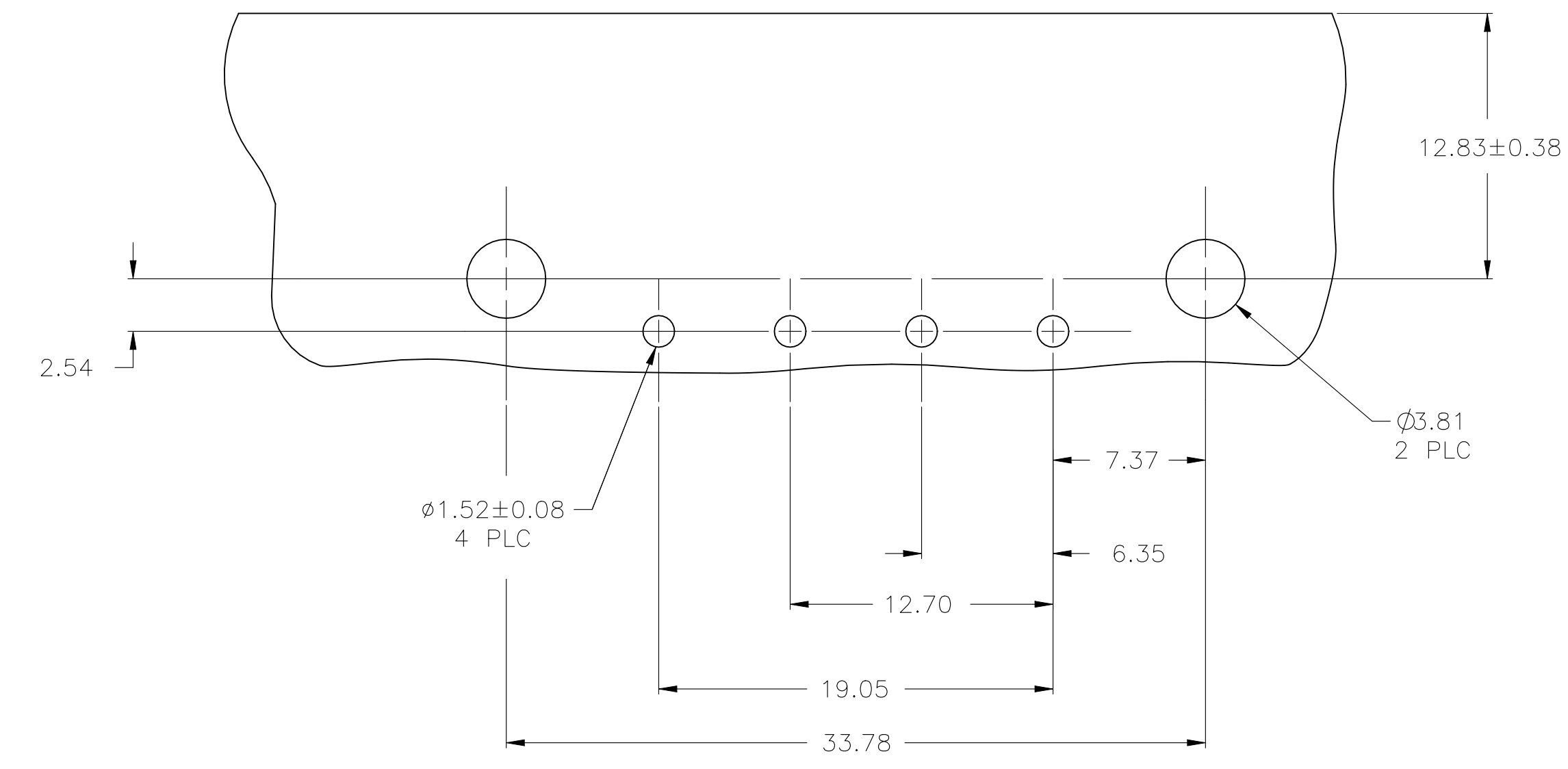
REVISIONS				
REV	DESCRIPTION	DATE	BY	APP'D
A1	REVISED PER ECR-21-119230	02NOV2021	SS	VS



SECTION B-B



SECTION A-A
SCALE 10:1



RECOMMENDED MOUNTING HOLE PATTERN FOR 1.57 THICK P.C. BOARD

- 1 PARTS COMPLY WITH TE SOLDERABILITY SPECIFICATION 109-11-5.
- 2 CIRCUIT IDENTIFICATION CHARACTERS ARE ADJACENT TO THE INDICATED CAVITIES, BUT LOCATION AND ORIENTATION MAY BE DIFFER FROM PRINT.
- 3 OPTIONAL CONSTRUCTION MAY DELETE THIS RIB.
- 4 FLAMMABILITY UL V-0 FOR THICKNESS 0.4, 0.45, 0.8, 1.6, AND 3.0 PER IEC 60695-11-10.
- 5 GLOW WIRE FLAMMABILITY (GWFI): 960°C FOR THICKNESS 0.45, 0.8, 1.6, AND 3.0 PER IEC 60695-2-12.
- 6 GLOW WIRE IGNITION (GWIT): 825°C FOR THICKNESS 0.45, 800°C FOR THICKNESS 0.8, 775°C FOR THICKNESS 1.6 AND 3.0 PER IEC 60695-2-13.
- 7 DIMENSIONS SHOWN REPRESENT PRODUCT IN DRY CONDITION. ADDITIONAL 2% GROWTH DUE TO END USE LOCATION MOISTURE ABSORPTION MAY OCCUR AND SHOULD BE ACCOUNTED FOR.

MM	IN	MM	IN
2.54	.100		
2.29	.090	44.32	1.745
2.24	.088	33.78	1.330
2.11	.083	26.67	1.050
1.98	.078	19.05	.750
1.85	.073	17.27	.680
1.57	.062	12.83	.505
1.52	.060	12.70	.500
0.38	.015	9.14	.360
0.25	.010	7.37	.290
0.13	.005	6.35	.250
0.08	.003	4.57	.180
.00127	.000050	4.06	.160
.00076	.000030	3.81	.150
MM	IN	MM	IN

CONVERSION TABLE

PH BRZ PRE-TIN	NYLON, UL V-0 GW	1969805-1
CONTACT	HOUSING	PART NUMBER

THIS DRAWING IS A CONTROLLED DOCUMENT.

DIN: PASVESH WARAD 01JAN2016
 CHK: WICKES EVAN 01JAN2016
 APVD: WICKES EVAN 01JAN2016
 NAME: WICKES EVAN

TE Connectivity

PIN HEADER ASSEMBLY, RIGHT ANGLE MOUNT, 4 POSITION, UNIVERSAL MATE-N-LOK(TM)

SIZE: A1 CAGE CODE: 00779 DRAWING NO: 1969805 RESTRICTED TO: -

WEIGHT: 0.000000 SCALE: 4:1 SHEET 1 OF 1 REV: A1