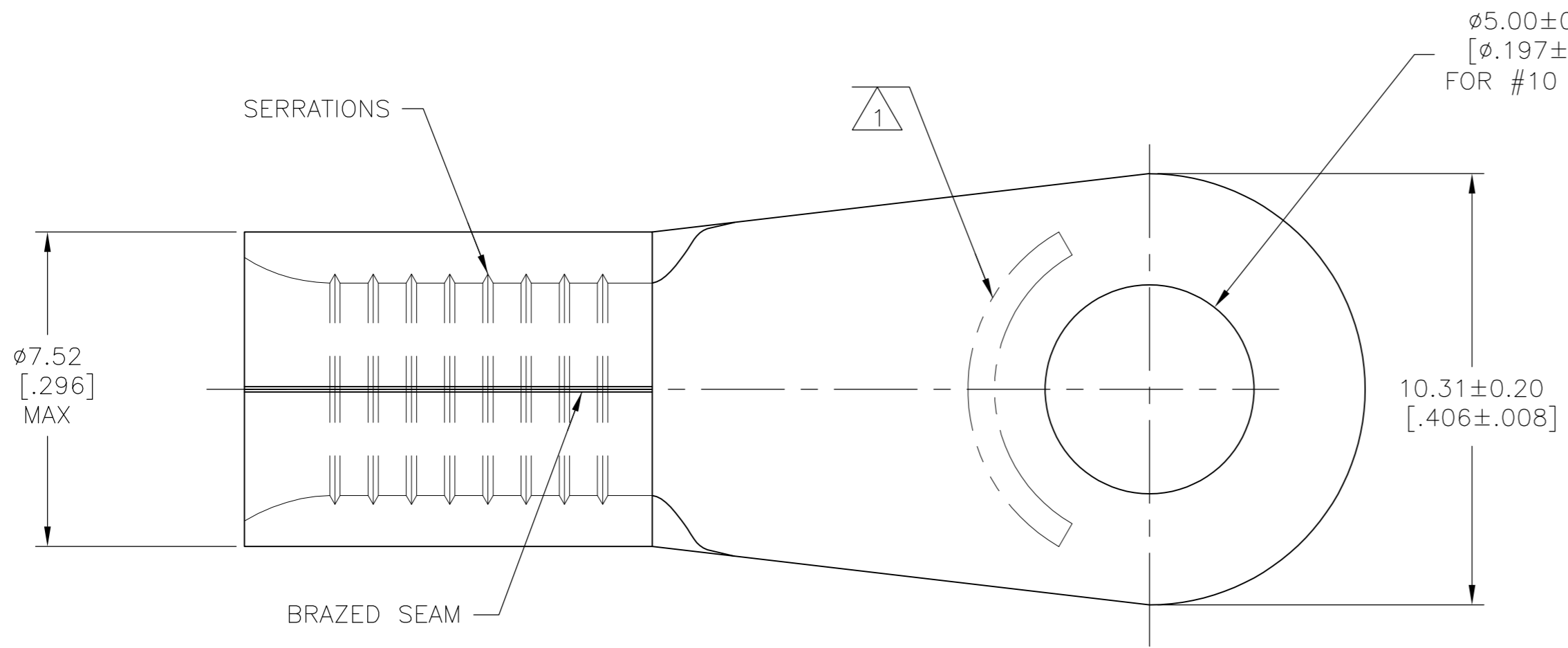


THIS DRAWING IS UNPUBLISHED. RELEASED FOR PUBLICATION  
 © COPYRIGHT - By - ALL RIGHTS RESERVED.

LOC	DIST	REVISIONS					
G	14	P	LTR	DESCRIPTION	DATE	DWN	APVD
		A1		REVISED PER ECO-14-004011	18MAR2014	NK	DR

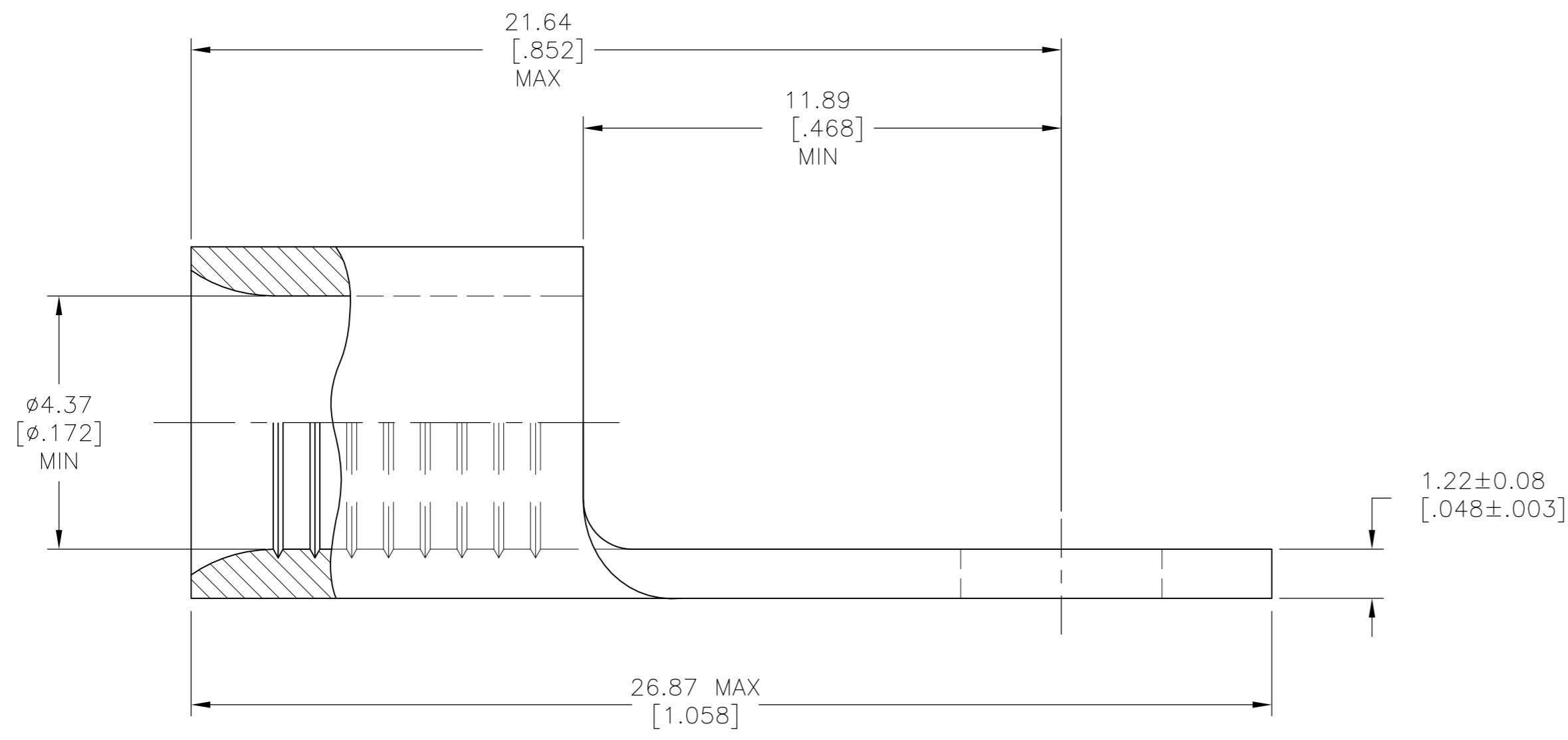


**AMP**  
WIRE RANGE

---

8 AWG  
SOLID OR STRANDED

- 1 STAMP AMP 8 APPROX AS SHOWN
- 2 COPPER PER ASTM B-152, ANNEALED
- 3 NICKEL PLATE 0.00762 [ $0.000300$ ] MIN THK PER SAE AMS QQ-N-290.



100	LOOSE PIECE	1958475-1
QTY	PACKAGE TYPE	PART NO.

MAX RECOMMENDED OPERATING TEMPERATURE: 343°C [649°F] MAX	THIS DRAWING IS A CONTROLLED DOCUMENT.		DWN NAGALAKSHMI K 20FEB2014	
	VOLTAGE RATING: N/A	DIMENSIONS: mm [INCHES]	TOLERANCES UNLESS OTHERWISE SPECIFIED:	
CIRCULAR MIL AREA: 6.64-10.50mm² [13,100-20,800] SOLID OR STRANDED	MATERIAL 2	FINISH 3	APVD ROHDE DANIEL 20FEB2014	NAME ROHDE DANIEL
			PRODUCT SPEC -	APPLICATION SPEC -
			WEIGHT -	SIZE A2
			CUSTOMER DRAWING	CAGE CODE 00779
				DRAWING NO 1958475
				RESTRICTED TO -
				SCALE 8:1
				SHEET 1 of 1
				REV A1