

4

3

2

1

THIS DRAWING IS UNPUBLISHED.

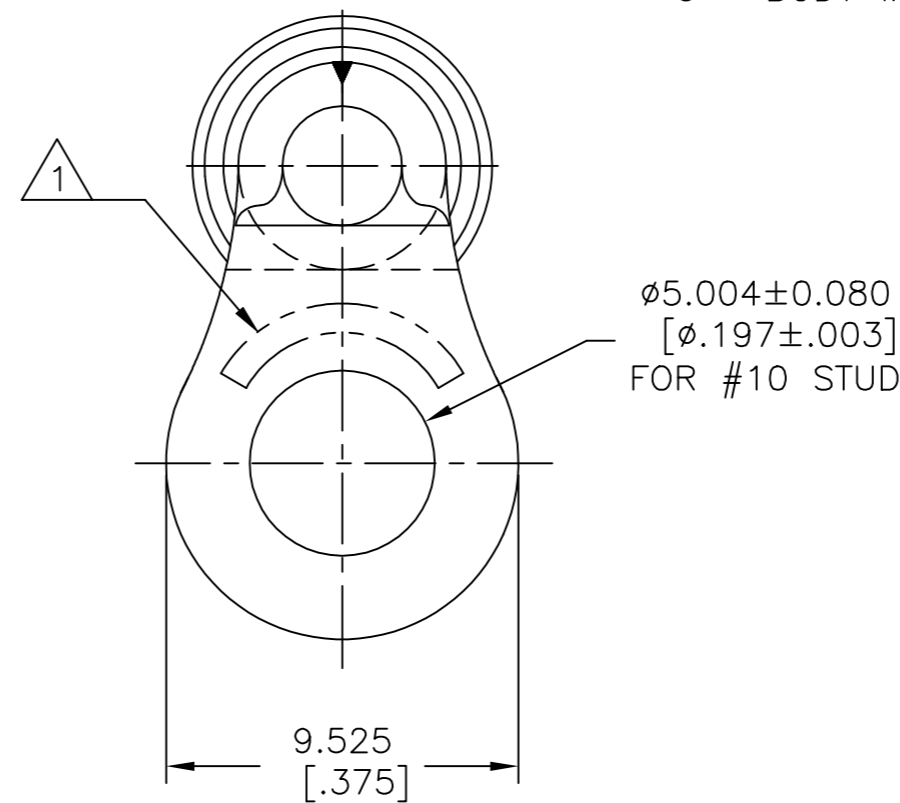
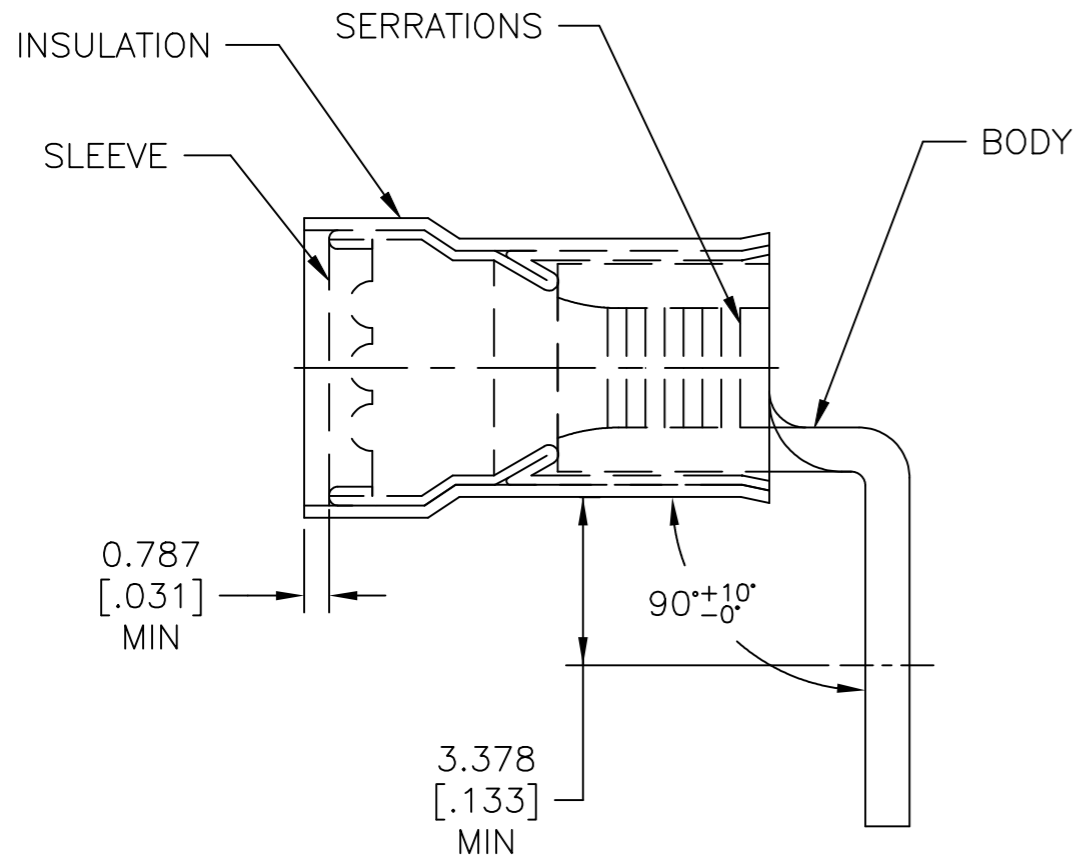
RELEASED FOR PUBLICATION

ALL RIGHTS RESERVED.

© COPYRIGHT - By -

REVISIONS

P	LTR	DESCRIPTION	DATE	DWN	APVD
1		NEW DRAWING PER ECO-13-019427	20DEC2013	KH	DR
A		REVISED PER ECO-18-019372	14DEC2018	RS	DR



- 1 STAMP AMP 12-10* APPROX AS SHOWN
- 2 WIRE INSUL DIA, 3.810-6.350 [.150-.250]
- 3 BODY MATL THK, 1.016±0.051 [.040±.002]

500	LOOSE PIECE	1958470-1
QTY	PACKAGE TYPE	PART NO

AMP INCORPORATED CUSTOMER SERVICE SYSTEMS		MAX RECOMMENDED OPERATING TEMPERATURE: 105°C [221°F]	THIS DRAWING IS A CONTROLLED DOCUMENT.		DWN KIRAN HOLAL 20DEC2013	STE TE Connectivity Ltd.
FOR ADDITIONAL PRODUCT INFORMATION OR COPIES OF DRAWINGS AND TECHNICAL DOCUMENTS	PRODUCT INFORMATION CENTER 1-800-522-6752	VOLTAGE RATING: 300 VOLT MAX	DIMENSIONS: mm [INCHES]	TOLERANCES UNLESS OTHERWISE SPECIFIED:	CHK ROHDE, DANIEL 20DEC2013	
FOR APPLICATION TOOLING INFORMATION	TOOLING ASSISTANCE CENTER 1-800-722-1111	CIRCULAR MIL AREA: 2.62mm²-6.64mm² (5,180-13,100)		0 PLC ± - 1 PLC ± - 2 PLC ± - 3 PLC ± 0.203 [.008] 4 PLC ± - ± - ANGLES ± -	APVD ROHDE, DANIEL 20DEC2013	SIZE A3
FOR ORDER ENTRY	1-800-526-5142	THIS DRAWING IS A CONTROLLED DOCUMENT FOR AMP INCORPORATED. IT IS SUBJECT TO CHANGE AND THE CONTROLLING ENGINEERING ORGANIZATION SHOULD BE CONTACTED FOR THE LATEST REVISION.		MATERIAL BODY & SLEEVE: CU PER ASTM B-152 INSL, NYLON	FINISH BODY & SLEEVE: TIN PLATE PER ASTM B-545 INSL COLOR: YELLOW	PRODUCT SPEC -
					APPLICATION SPEC 114-2157	DRAWING NO 1958470
					WEIGHT -	RESTRICTED TO -
					CUSTOMER DRAWING	SCALE 5:1
					SHEET 1 of 1	REV A