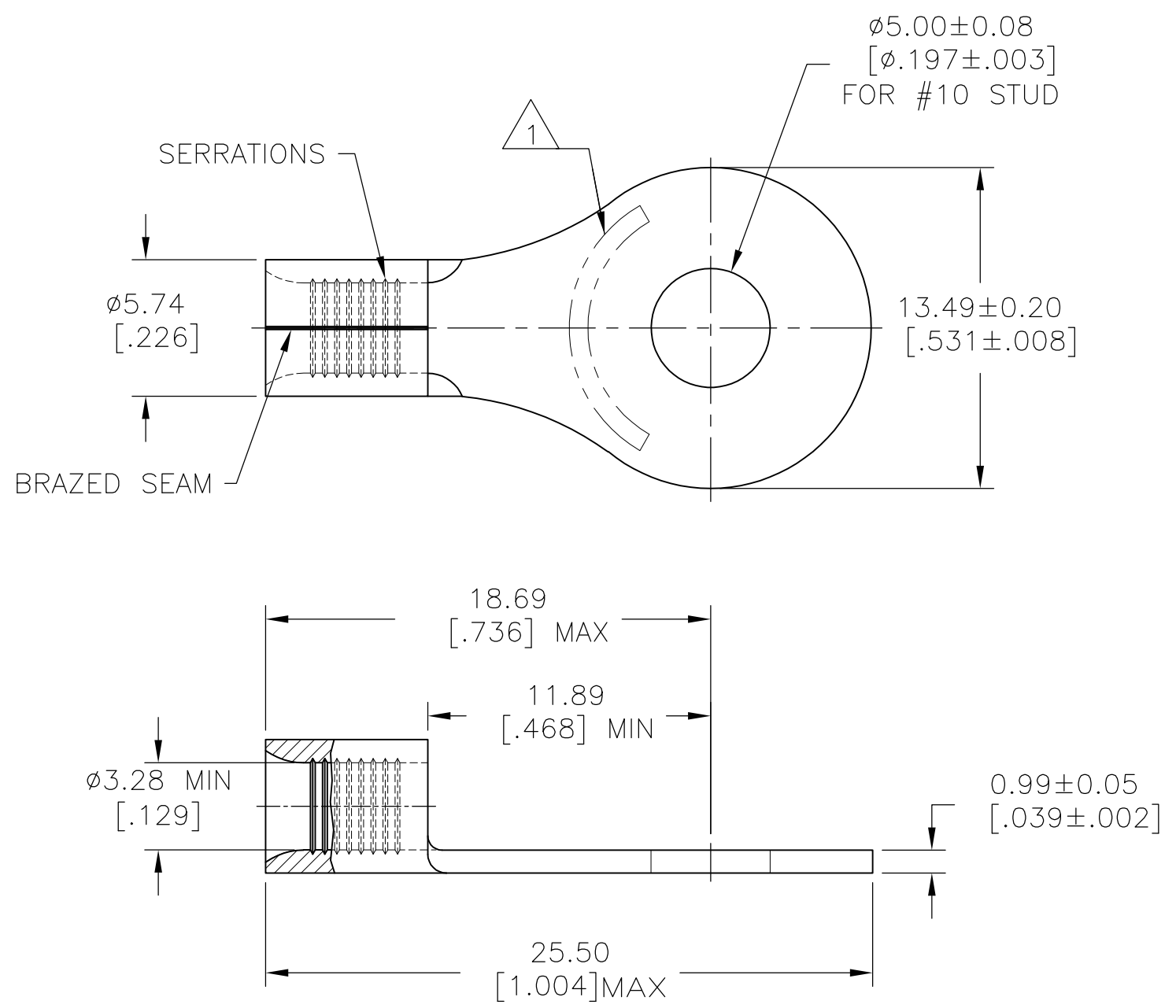


THIS DRAWING IS UNPUBLISHED. RELEASED FOR PUBLICATION
 © COPYRIGHT - By - ALL RIGHTS RESERVED.

LOC	DIST	REVISIONS					
		P	LTR	DESCRIPTION	DATE	DWN	APVD
G	14		A	REVISED PER ECO-13-008848	25MAY2013	KH	DR

AMP
 WIRE RANGE
 12-10 AWG
 SOLID OR STRANDED



- 1 STAMP AMP 12-10* APPROX AS SHOWN.
- 2 MATERIAL: COPPER PER ASTM B152, ANNEALED.
- 3 FINISH: NICKEL PLATE 0.00762 [.000300] MIN EXT-THK, PER SAE AMS QQ-N-290.

500	LOOSE PIECE	1958454-1
QTY	PACKAGE TYPE	PART NO

AMP INCORPORATED
CUSTOMER SERVICE SYSTEMS

MAX RECOMMENDED OPERATING TEMPERATURE:
 343°C [649°F]

FOR ADDITIONAL PRODUCT INFORMATION OR COPIES OF DRAWINGS AND TECHNICAL DOCUMENTS
 PRODUCT INFORMATION CENTER
 1-800-522-6752

VOLTAGE RATING:
 NOT APPLICABLE

FOR APPLICATION TOOLING INFORMATION
 TOOLING ASSISTANCE CENTER
 1-800-722-1111

WIRE CROSS SECTIONAL AREA RANGE:
 2.62-6.64mm² [5,180-13,100] CIR MILS
 SOLID OR STRANDED

FOR ORDER ENTRY
 1-800-526-5142

THIS DRAWING IS A CONTROLLED DOCUMENT FOR AMP INCORPORATED. IT IS SUBJECT TO CHANGE AND THE CONTROLLING ENGINEERING ORGANIZATION SHOULD BE CONTACTED FOR THE LATEST REVISION.

THIS DRAWING IS A CONTROLLED DOCUMENT.

DIMENSIONS: mm [INCHES]	TOLERANCES UNLESS OTHERWISE SPECIFIED:
	0 PLC ± -
	1 PLC ± -
	2 PLC ± -
	3 PLC ± -
	4 PLC ± -
	ANGLES ± -
MATERIAL	FINISH
2	3

DWN	13APR2013
KIRAN HOLAL	
CHK	13APR2013
ROHDE, DANIEL	
APVD	13APR2013
ROHDE, DANIEL	
PRODUCT SPEC	
APPLICATION SPEC	
WEIGHT	-

STE TE Connectivity			
NAME TERMINAL, RING TONGUE HEAT RESISTANT, STRATO-THERM			
SIZE	CAGE CODE	DRAWING NO	RESTRICTED TO
A3	00779	C-1958454	-
CUSTOMER DRAWING		SCALE 4:1	SHEET 1 OF 1 REV A