

4

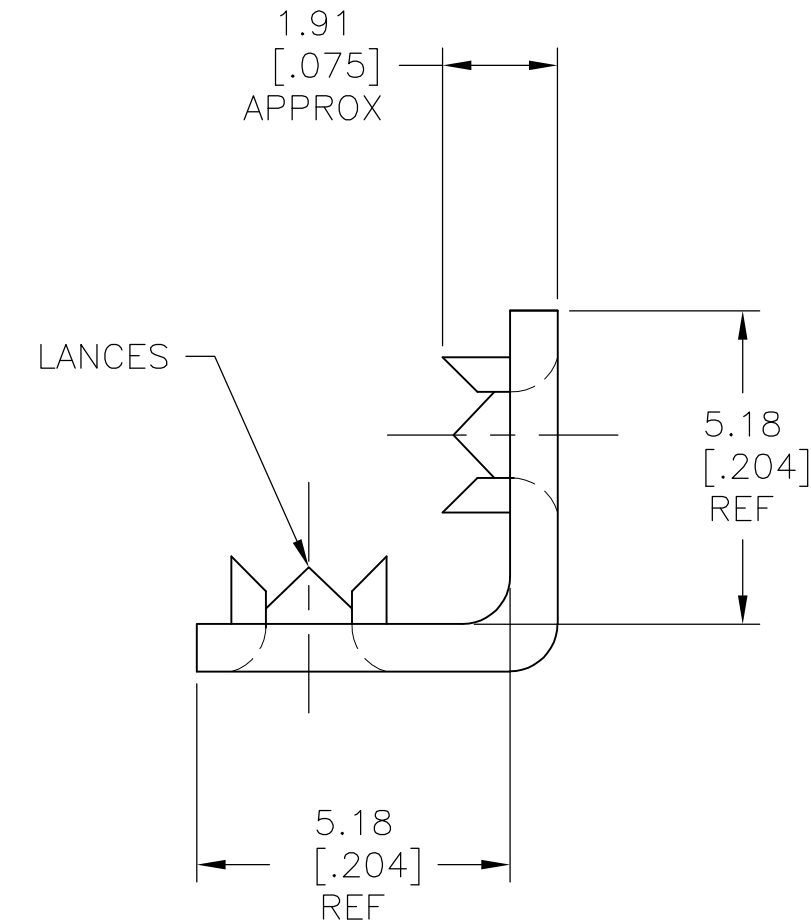
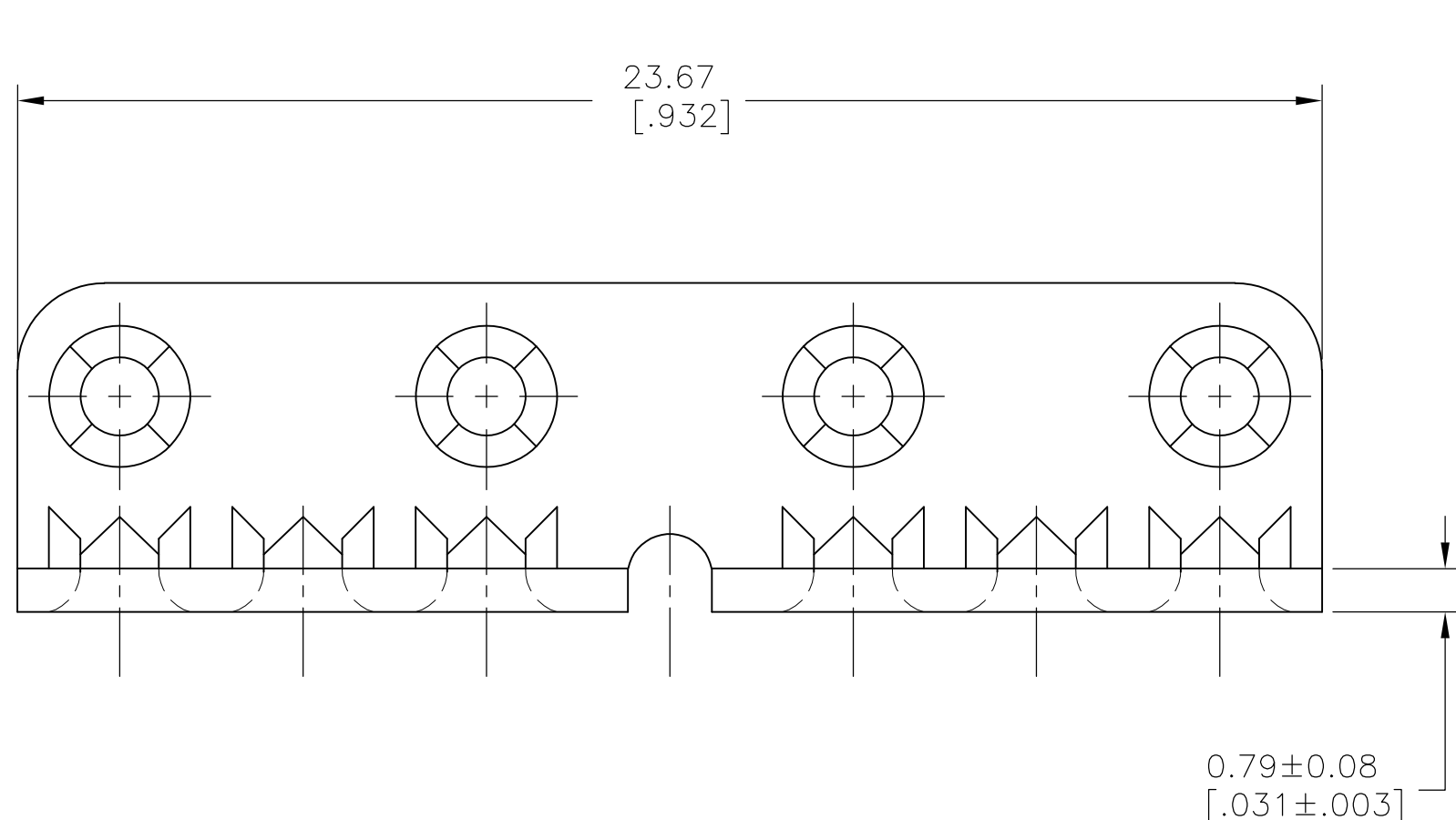
3

2

1

THIS DRAWING IS UNPUBLISHED. RELEASED FOR PUBLICATION
 © COPYRIGHT - By - ALL RIGHTS RESERVED.

LOC	DIST	REVISIONS			
P	LTR	DESCRIPTION	DATE	DWN	APVD
G	-	1	NEW DRAWING PER ECO-13-000096	04JAN13	KH DR



- 1 MATERIAL: COPPER PER ASTM B152, ANNEALED
- 2 FINISH: TIN PLATE PER ASTM B545

1958440-1
 PART NUMBER

**PRELIMINARY - NOT RELEASED
 FOR PRODUCTION**

THIS DRAWING IS A CONTROLLED DOCUMENT.		DWN KIRAN HOLAL 04JAN13	TE Connectivity			
DIMENSIONS: mm [INCHES]		CHK ROHDE DANIEL 04JAN13				
TOLERANCES UNLESS OTHERWISE SPECIFIED:		APVD ROHDE DANIEL 04JAN13	NAME TERMI-FOIL, DOUBLE FACE, BUTT SPLICE			
0 PLC ± - 1 PLC ± - 2 PLC ± - 3 PLC ± 0.20 [.008] 4 PLC ± - ANGLES ± 5°		PRODUCT SPEC -	APPLICATION SPEC -			
MATERIAL 1	FINISH 2	WEIGHT -	SIZE A3	CAGE CODE 00779	DRAWING NO C-1958440	RESTRICTED TO -
CUSTOMER DRAWING			SCALE 8:1	SHEET 1 OF 1	REV 1	